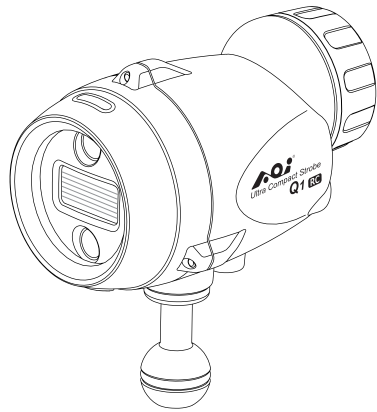


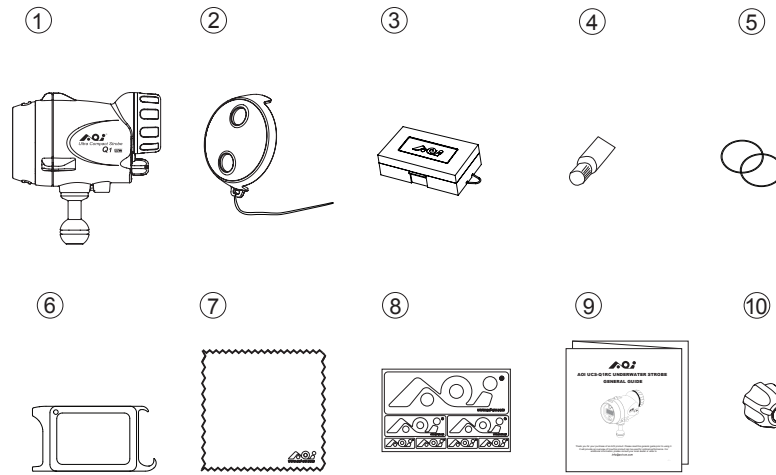


# AOI UCS-Q1RC UNDERWATER STROBE GENERAL GUIDE



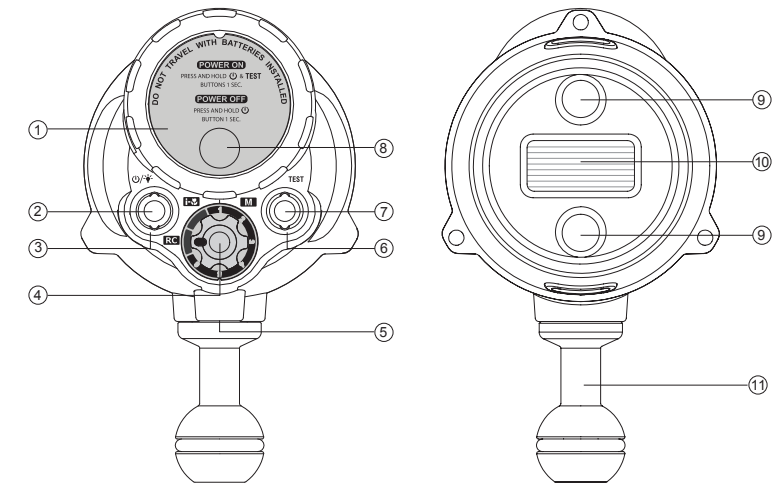
Thank you for your purchase of an AOI product. Please read this general guide prior to using it. It will provide an overview of how this product can be used for optimal performance. For additional information, please consult your local dealer or write to [info@aoi-uw.com](mailto:info@aoi-uw.com)

## Items Included in the package



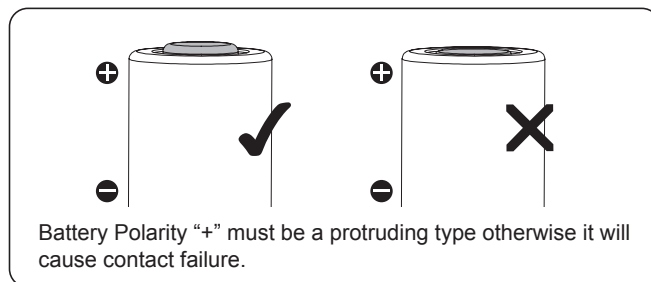
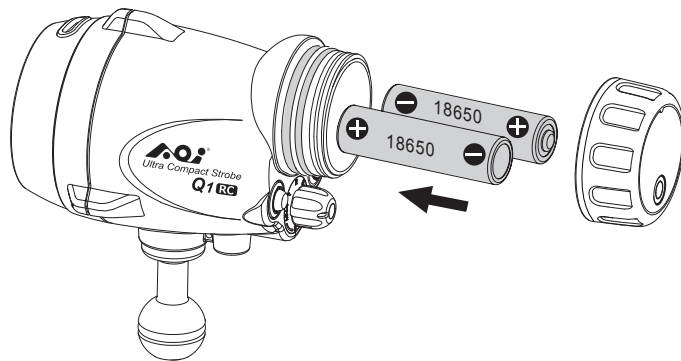
- ① Strobe (UCS-Q1RC)
- ② Strobe Diffusor (SD-01)
- ③ Battery Storage Case (BSC-18650-2) (Battery is not included)
- ④ Silicone Grease (SIGR-5)
- ⑤ Spare O-Rings set (SOR-01)
- ⑥ O-Ring Remover (ORR-01)
- ⑦ Micro-Fiber Cleaning Cloth (MC-01)
- ⑧ AOI Logo Sticker
- ⑨ General Guide
- ⑩ Control Knob Extension (CKE-01)

## Names of the Parts



- ① Battery Cap
- ②  $\text{O}/\text{OFF}$  Button
- ③ Left Indicator
- ④ Mode Knob
- ⑤ Fiber Optic Cable Port
- ⑥ Right Indicator
- ⑦ TEST Button
- ⑧ Pressure Relief Valve
- ⑨ LED Lights
- ⑩ Strobe Light Emitting Window
- ⑪ 1" Ball Mount

## Battery Installation

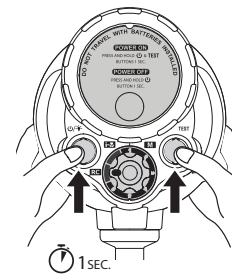


Battery Polarity "+" must be a protruding type otherwise it will cause contact failure.

## Strobe Operation

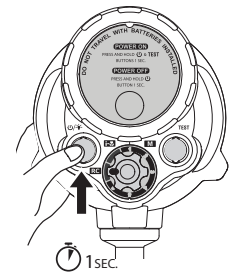
### a. Power ON

Press and Hold the  $\text{O}/\text{OFF}$  Button and TEST Button at the same time for 1 second, the Strobe will be Power ON.



### b. Power OFF

Press and Hold the  $\text{O}/\text{OFF}$  Button for 1 second, the Strobe will be Power OFF.



### c. Auto Standby

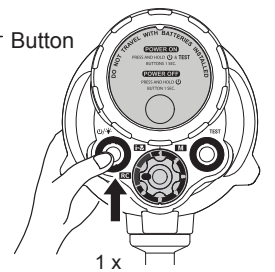
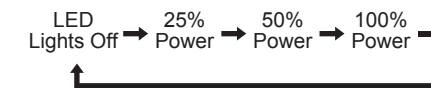
If the strobe is not used for more than 15 minutes, it will go into Standby Mode automatically. Left Indicator shows in Slow Blinking. Strobe charging will be suspended and cannot be fired. Activating any Buttons, Knob or Strobe Triggering will resume the strobe from the Standby Mode.

### d. Auto Power OFF

If UCS-Q1RC is not used for more than 2 hours, it will be Power OFF automatically. To turn on the strobe again, proceed the procedure **a. Power ON**

### e. LED Lights Control

When UCS-Q1RC is Power ON, press the  $\text{O}/\text{OFF}$  Button to change the LED Lights intensity.



### f. RC Mode (RC Mode)

In RC Mode, you have to configure your Olympus camera to RC - TTL AUTO, MANUAL, FP TTL AUTO, FP MANUAL setting (only in Group A, Channel 1). When you set the Mode Knob to RC Mode, the Left Indicator will show in Blue Color.

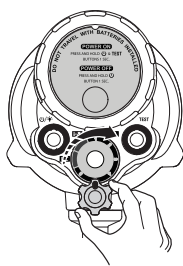
### g. M Mode

In M Mode, you have to configure your Olympus camera to RC - TTL AUTO, MANUAL setting (only in Group A, Channel 1). When you set the Mode Knob to M Mode, the Left Indicator will show in Blue Color. In M Mode, you can use the optional accessory AOI SNT-01 Snoot for UCS-Q1 Series in Macro Shooting. For detail information and instruction, please read the Snoot User Manual.

## h. M Mode (Manual Mode)

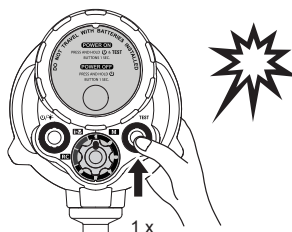
In **M** Mode, you can adjust the strobe Power Output manually from Level 1 to Level 6. When you set the Mode Knob to **M** Mode, the Left Indicator will show in White Color.

M Mode	1	2	3	4	5	6
Strobe Power	1/64	1/24	1/8	1/4	1/2	Full



## i. Strobe Test

In **M** Mode (Level 1 to Level 6), quick press the **TEST** Button one time will trigger the Strobe to fire. If the Left Indicator shows in White Quick Blinking, the strobe is in Recharging. If the Left Indicator shows in White Still, the strobe is ready to fire. Strobe Test can only be used in **M** Mode.



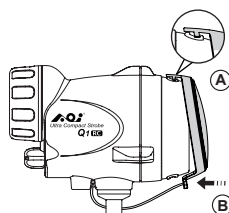
## j. Modelling Flash

If shooting under the high ambient light, the LED Light may not be bright enough for targeting purpose. Press and Hold the **TEST** Button for 1 second and the strobe will emit a 2 seconds stroboscopic pulsing. That rapid flashing light will help in targeting the subject under high ambient light condition. Modelling Flash feature also works when using the AOI SNT-01 Snoot for UCS-Q1 Series.

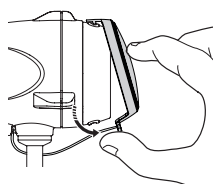
- 7 -

## o. Diffusor Installation

### (i) Attaching



### (ii) Detaching



## Care and Maintenance

- Rinse the strobe exterior thoroughly with running fresh water after every use. Pressing buttons and rotating knobs repeatedly in fresh water to eliminate trapped salt water or debris.
- Clean the O-rings and the O-ring grooves at a regular time, and apply a small amount of silicone grease (AOI SIGR-5) to lubricate the O-rings.
- Dry well and remove the batteries prior to travel and storage.

**IMPORTANT:** Wipe the strobe dry and keep seawater away prior to opening the battery cap. Do not allow seawater to be in contact with the interior parts of the battery compartment, otherwise it may cause rust, corrosion or malfunction. If seawater leaks into the battery compartment, please turn off the power and remove the batteries immediately. Rinse the battery compartment with fresh water before bringing it back to your local dealer / service center for further assistance.

- 10 -

## k. Flash Sync. Auto Learning

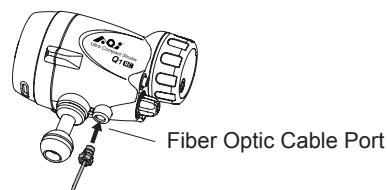
Every time when you turn on the Power of the Strobe, the first Strobe Triggering Signal from the camera will automatically be learned and saved. The setting on the Strobe must be under **M** Mode during the Auto Learning. When the Strobe receives the 1<sup>st</sup> Triggering Signal from the camera, the Right Indicator (Green Color) and Left Indicator (White Color) will blink alternatively for 1.8 seconds. If the Triggering Signal has been successfully learned and saved, Right Indicator (Blue Color) and Left Indicator (White Color) will blink simultaneously for 3 seconds. If a fault Triggering Signal is detected due to the wrong Camera Mode setting, Right Indicator (Red Color) and Left Indicator (White Color) will show in Quick Blinking simultaneously. Next Triggering Signal will be used to learn again until a success one is achieved.

## l. Overheat Protection

UCS-Q1RC is equipped with an overheat protection circuit. If the Strobe is fired excessively, temperature of the internal electronics will go up rapidly and the strobe recharging/ recycle time will be slowed down automatically in order to prevent the Strobe be overheated. If the Strobe is still continuously used, the Overheat Protection Circuit may be activated. Right Indicator will show Purple Slow Blinking and the Strobe will be suspended temporarily. After the Strobe cools down, its Indicators will be back to normal and all functions will be resumed.

## m. Fiber Optic Cable Connection

Insert one end of the Fiber Optic Cable into UCS-Q1RC Fiber Optic Cable Port and the other end to fiber optic port of the camera housing.



- 8 -

## n. Indicator Lights Status

Left Indicator	Right Indicator	Mode Knob	Status Indication
Strobe Modes			
Blue Slow Blinking	Battery Levels Colors	RC / f-∞	Strobe in Standby
Blue Quick Blinking		RC / f-∞	Strobe Recharging
Blue Still		RC / f-∞	Strobe Ready to Fire
White Slow Blinking		M	Strobe in Standby
White Quick Blinking		M	Strobe Charging
White Still	M	M	Strobe Ready to Fire
Strobe Battery Levels			
Strobe Modes Colors	Green Still	RC / f-∞ / M	Battery Level 50%~100%
	Yellow Still	RC / f-∞ / M	Battery Level 25%~49%
	Red Still	RC / f-∞ / M	Battery Level 10%~24%
	Red Quick Blinking	RC / f-∞ / M	Battery Level below 10% <sup>1</sup>
Flash Sync. Learning			
White <sup>2</sup> and Green <sup>3</sup> Blinking Alternately (1.8 sec.)		M	Flash Sync. Learning in progress
White <sup>2</sup> and Blue <sup>3</sup> Blinking Simultaneously (3 sec.)		M	Flash Sync. Learning "OK"
White <sup>2</sup> and Red <sup>3</sup> Blinking Simultaneously (3 sec.)		M	Flash Sync. Learning "FAIL"
Strobe Failure			
Strobe Modes Colors <sup>2</sup> and Purple <sup>3</sup> Slow Blinking Simultaneously		RC / f-∞ / M	Strobe Overheated
Power Control Out of Range			
Strobe Modes Colors	Purple Quick Blinking (3 sec.)	f-∞	Shooting Distance Too Far/ Close

<sup>1</sup> The strobe may power off at any time

<sup>2</sup> Left Indicator Color

<sup>3</sup> Right Indicator Color

- 9 -

## Specifications

Model Number	AOI UCS-Q1RC-WHT / AOI UCS-Q1RC-BLK			
Description	Underwater Ultra Compact Strobe			
Main Body Material	Polycarbonate + Glass Fiber			
Depth Rating	60 Meters			
Strobe	Guide Number	G.N.= 22		
	Color Temperature	5,600K (5,000K with Diffusor)		
	Beam Angle	With Diffusor Horizontal- 85°, Vertical- 85°		
	Flash Recharging Time	0.85 Second (Full Power)		
	Number of Flashes	1,500 times (Using Flash Only, Full Power and with 3,100mAh Li-Ion Batteries)		
	Flash Sync.	By Fiber Optical Cable (Multi-cores Fiber Optical Cable is Recommended)		
	Pre-flashes Sync.	Auto Learning		
	Flash Modes	RC Mode	OMDS / RC FLASH (Group A, Channel 1)	
		i-Macro Mode	TTL AUTO, MANUAL, FP TTL AUTO, FP MANUAL	
		Manual Mode	TTL AUTO, MANUAL, Snooting (Group A, Channel 1)	
Modelling Flash	2 Seconds Flashing Duration/ Press			
Flash Test Button	Yes			
LED Lights	Maximum Output	700 Lumens		
	Power Control	25%, 50%, 100% and OFF		
	Color Temp.	5600K		
	Beam Angle	45°		
	Burn Time	130 Minutes (Using LED Only, Full Power and with 3,100mAh Li-Ion Batteries.)		
Battery Requirements	18650 Li-Ion Rechargeable Battery x2pcs (Battery is not included with the product)			
	Output Current	Minimum 5A		
	Battery Length	Minimum 68.5mm		
Strobe Mounting	1" Ball Mount Only (Non-replaceable)			
Dimensions	125mm (L) x 77mm (W) x 131mm (H)			
Weight	On Land	Approx. 550g (Batteries included)		
	Underwater	Approx. 90g (Batteries included)		
Standard Accessories	Strobe Diffusor for Q1 Series SD-01, Control Knob Extension for Q1 Series CKE-01, Spare O-ring set for Q1 Series SOR-01, O-ring Remover ORR-01, Silicone Grease (5g) SIGR-5, Battery Storage Case BSC-18650-2 (Rechargeable Battery is not included)			

\* Design and Specification are subject to change without prior notice.

- 11 -

6E01046C-00001

- 12 -