

Fantasea BigEye Lens FP7000

(Cat. No. 5136)

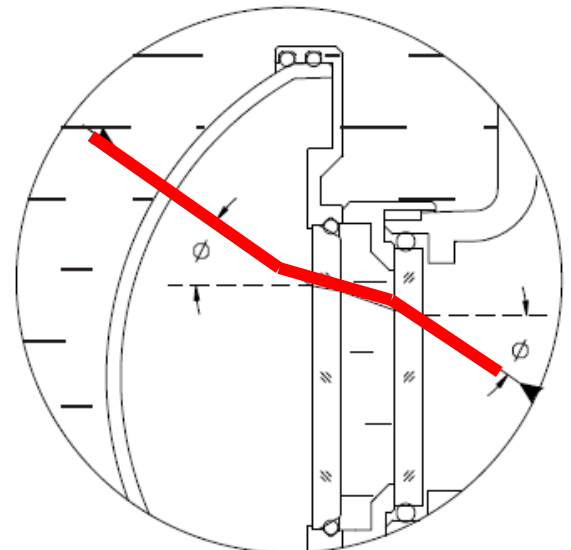
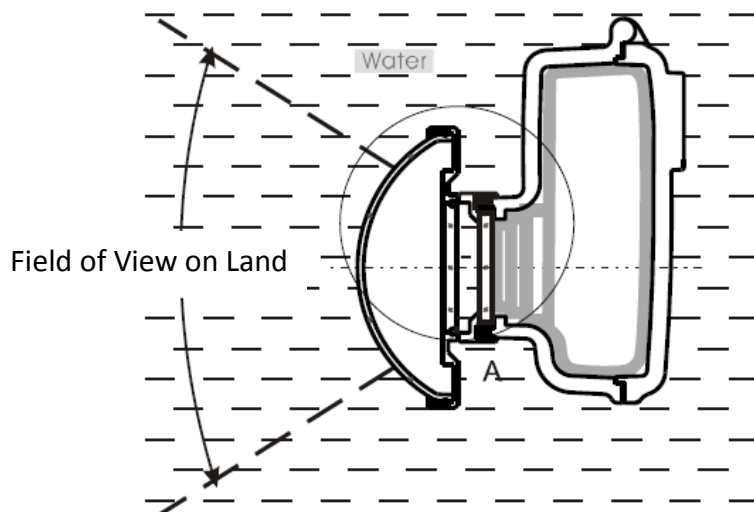
Instruction Manual

1. Introduction

The Fantasea **BigEye Lens FP7000** is a patented “wet” accessory wide angle lens that was specially designed for the Fantasea FP7000 underwater camera housing (for Nikon Coolpix P7000). The lens fits onto the housing lens port and can be installed and removed during the course of the dive. It is perfect for photographing seascapes, divers, ship wrecks and schools of fish without moving further away from the subject, thereby still taking full advantage of water clarity and artificial light sources.

2. Technology

The BigEye Lens FP7000 makes use of a new patented lens technology, which allows for high quality underwater wide angle images free of distortions. The new technology uses air instead of glass as an optical element and enables recovering 100% of the camera lens optical properties that would normally be lost underwater. The air pocket inside the lens enhances the angle of light refraction, thereby restoring the original angle of coverage of the camera lens (see figures below). This patented technology was specially designed for underwater photography and therefore the lens should only be used when the system is submerged in water.



3. Specifications

- Depth rated to 60m/200 feet
- Field of view recovery (magnification): 105% (X0.7)
- Angle of coverage: 80 degrees
- Lens material: Optical glass, hard coated plastic and anodized aluminum
- Weight: 498g
- Dimensions: 157x77mm
- Dedicated slot for color correction filters
- Box includes: Neoprene lens cover, secure line, warranty and instruction manual

4. Instructions for Use

1. **Installing the BigEye Lens on the FP7000 Housing Lens Port**

- a. Please use the utmost care and do not use excessive force when assembling and disassembling the lens, in order to not cause any damage to the product.
- b. Hold the BigEye Lens in front of the housing lens port so that the “TOP” marking printed on the lens configuration is pointed upwards.
- c. To install the BigEye Lens, push it against the lens port starting from the left (image #1) and proceeding rightwards (image #2).
- d. Make sure that the BigEye Lens is properly mounted on the lens port by gently trying to pull it out. If properly installed, the BigEye Lens should not easily come off the lens port.

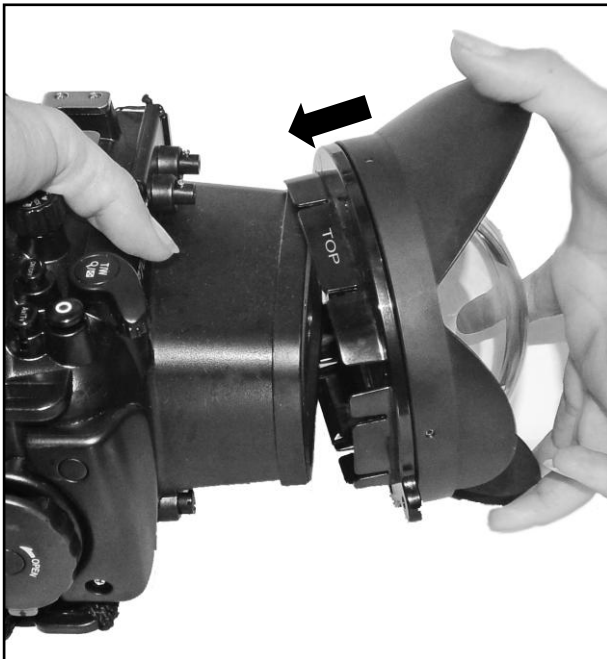


Image #1

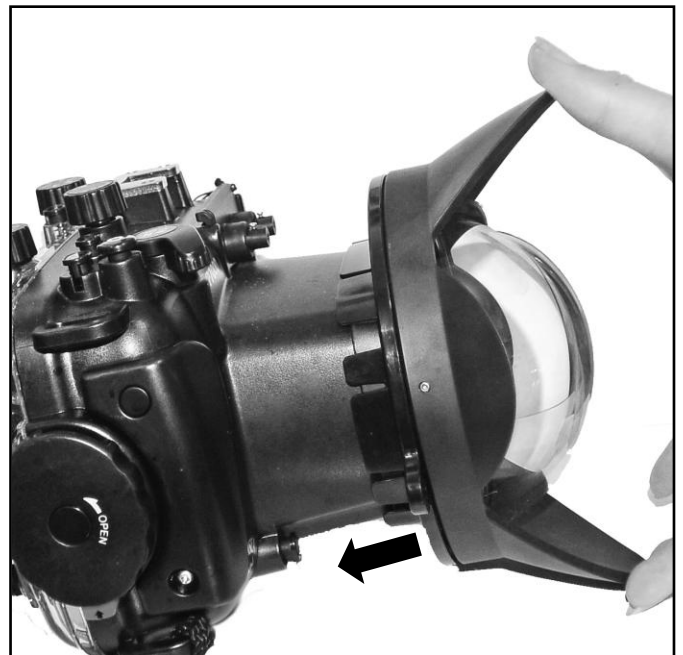


Image #2

- e. Attach the secure line to the lens and the housing, in order to secure the lens to the housing. If making use of an arm in the system, the secure line can be secured to the arm rather than to the housing.

2. **Taking Images with the BigEye Lens**

- a. Please note that the BigEye Lens was designed to work underwater only. Therefore, the lens should only be installed underwater, while letting water enter the gap between the BigEye Lens and the housing lens port. Make sure that there are no air bubbles trapped between the BigEye Lens and the housing lens port before taking images.
- b. **When taking photos with the BigEye Lens installed, set your camera focus mode to “MACRO”. Failing to do so will result in blurred images.**
- c. During the beginning of your dive, your lens might become foggy as a result of an increase in the air temperature inside the lens, following submersion in cooler water. Storing the lens in a cool dry place when not being used, such as a padded housing bag with a few silica gel packs inside, and

submerging it in cool water for 10 minutes prior to the dive, will assist in preventing such condensation. However, even if your BigEye Lens starts fogging up at the beginning of the dive due to temperature differences, please note that continuing to dive with it for about 10 minutes will eventually dissolve the fog.

- d. The BigEye Lens can be removed and installed repeatedly throughout the course of the dive. Whenever removing the lens, set your camera focus to the desired mode, if it is not “Macro”.
- e. It is recommended to use an external strobe when the BigEye Lens is mounted on the housing. The BigEye Lens blocks the camera internal flash, resulting in underexposed or shaded images.
- f. When using an external flash, there are a few techniques that should be followed in order to avoid a lens flare, which is often encountered when using dome ports of any kind due to the reflection of the sun or strobe:
 - i. Make sure that the wings of the BigEye Lens are positioned at an angle that blocks the strobe output, as well as the sun. In order to prevent the wings from unintentionally changing position, some friction has been added, but rotating the wings can be easily done by following a simple technique. Hold the wings and push them against the housing when the BigEye Lens is mounted on your housing lens port. At the same time, rotate them around the lens, till they have reached the desired position. Images in which the sun is captured can be usually taken during mornings or afternoons, when the sun is not as strong as during the middle of the day. In general, the sun will have a much softer and successful presence in the image during early and late hours of the day and will also cause less of a flare.
 - ii. Make sure that the strobe is not positioned towards the lens. When shooting a nearby subject, for instance, it is better to position the strobe slightly in front of the camera housing rather than behind it (so the light doesn't reflect on the BigEye Lens). If you choose to position the strobe behind the camera housing, make sure it's not pointed directly towards the lens, but slightly tilted outwards. This will also ensure softer light and shadows in your image.

3. Removing the BigEye Lens from the FP7000 Housing Lens Port

- a. In order to remove the BigEye Lens from the lens port, gently push it off, starting from the secure line loop on the right, while pushing outward with your thumb (image #3). Make sure you are holding the BigEye Lens with your other hand, so it doesn't fall off once removed from the lens port.
- b. When removing the BigEye Lens from the housing lens port, it can be conveniently stored by mounting it on the **EyeGrabber FP7000** (Cat. No. 4057). This lens holder attaches to any standard Flex or Ball & Joint arm and enables safely securing FP7000 Housing lens accessories during the dive, making them easily available for future use. For further information, please visit our website at www.fantasea.com/FantaseaEyes



Image #3

4. Installing Color Correction Inserts inside the BigEye Lens

- a. Color correction inserts can be installed inside the BigEye Lens FP7000 for the purpose of producing underwater wide angle vivid and colorful images or videos. A dedicated slot was designed in order to allow for easy installation of red or pink color correction inserts, which restore the colors absorbed by water.
- b. The following color correction inserts can be installed inside the BigEye Lens FP7000:
 - i. RedEye Insert included with the **RedEye Filter FP7000** (Cat. No. 5211) – for restoring the red color absorbed by blue water.
 - ii. PinkEye Insert included with the **PinkEye Filter FP7000** (Cat. No. 5212) – for restoring the pink color absorbed by green water.
- c. In order to install a color correction insert inside the BigEye Lens, first remove the BigEye Lens from the housing lens port.
- d. Remove the color insert from the RedEye/PinkEye Filter FP7000 by following the instructions provided in the corresponding instruction manual.
- e. Attach the secure line to the color insert and housing, if you haven't done so by now.
- f. Hold the BigEye Lens so that the dome is pointed downwards, the adaptor side is facing up and the "TOP" marking is pointed towards your body.
- g. Hold the color insert above the BigEye Lens so that the secure string of the color insert is positioned on the top left corner (image #4).
- h. Slide the right side of the color insert rightwards, into the slot of the BigEye Lens adaptor (image #5). Make sure that the color insert tooth is inserted into the corresponding niche on the BigEye Lens adaptor.

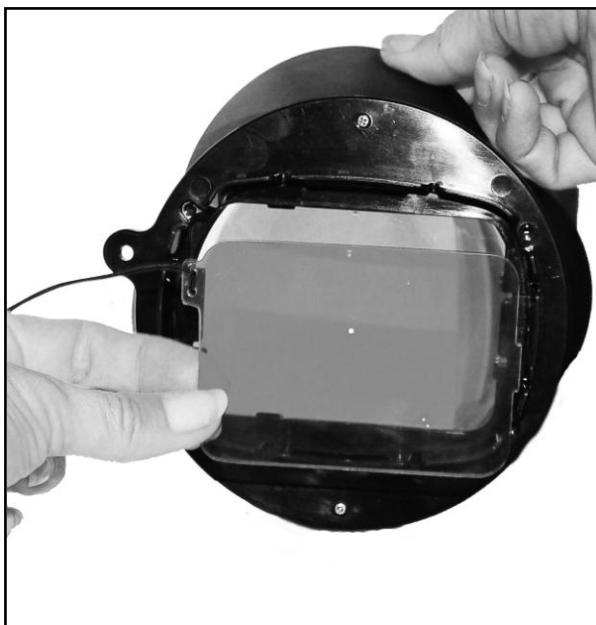


Image #4

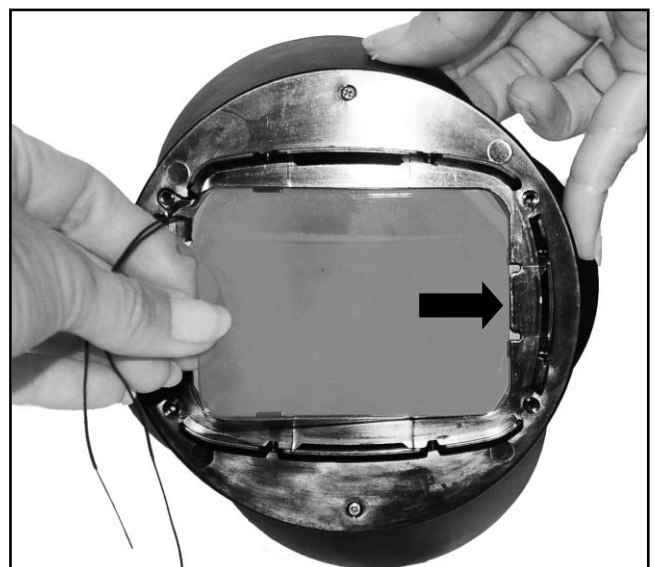


Image #5

- i. Once the right side of the color insert is inserted all the way in, gently push the left side of the color insert against the BigEye Lens adaptor till it clicks (image #6 on the following page). Note that if you

encounter any resistance, the right side of the color insert is probably not installed all the way in. Reinstall the right side of the color insert and proceed with the left side of it.

- j. Mount the BigEye Lens with color insert installed inside on the housing lens port. Make sure the secure string of the color insert is positioned between the corresponding teeth of the BigEye Lens adaptor, so it doesn't interfere with proper installation of the lens (image #7).

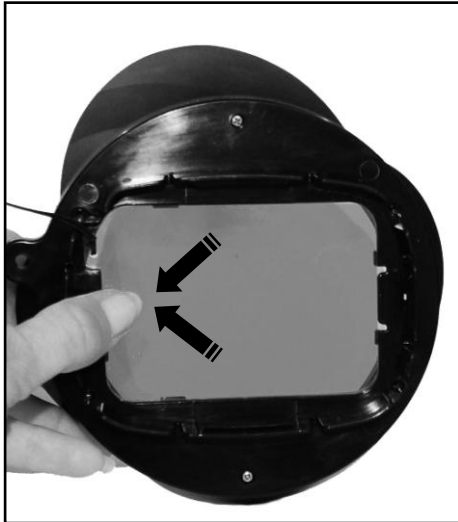


Image #6



Image #7

- k. The color insert can be installed and removed during the course of the dive. Make sure that there are no air bubbles trapped inside the lens before taking images.
- l. Note that white balance, flash and exposure settings might require adjustments once the color insert is installed. Please refer to the color correction filter instruction manual for further information.
- m. To remove the color insert from the BigEye Lens, first take the BigEye Lens off the housing lens port. Proceed by gently pulling the secure string of the color insert till the insert pops out of the BigEye Lens. Make sure that the color insert is secured with a secure line to the housing or arm so you do not lose it once removed. White balance, flash and exposure settings might require adjustments once the color insert is removed.

5. Care & Maintenance

1. Please use the utmost care and do not use excessive force when assembling and disassembling the different accessories, in order to not cause any damage to the product.
2. Keep the BigEye Lens away from extreme high temperatures, as under direct sunlight, since it might damage the O-ring and interfere with the watertight seal of the lens.
3. Do not clean the lens with any chemical solvents or other materials, which might cause damage to the plastic dome.
4. Never look at the sun through the lens.
5. When storing the lens and during transportation, make sure that it is properly protected by using the Neoprene lens cover and a padded bag in order to prevent scratches, cracks or any other damage to the lens.

6. After Dive Care:

- a. Detach the BigEye Lens from the housing lens port and rinse all lens components in fresh water.
- b. To ensure that the accumulated salt has completely dissolved, it is recommended to soak the lens in warm fresh water once in a while.
- c. Wipe the water drops with a soft cloth. Do not leave any droplets to dry on the lens surface, as permanent water spots may remain.
- d. Store the lens in a dry and protected area. Storing the lens in a low humidity environment will decrease the chances of the lens fogging up when submerged in water.
- e. Do not store the lens in the presence of chemicals, solvents or fuels.

6. Fantasea Product Consumer Limited Warranty

“Fantasea” warrants this Fantasea Line branded product against defects in materials and workmanship under reasonable use for a period of ONE (1) YEAR, (two years, where required by law as determined by the origin of the authorized dealer). This warranty is effective from the date of retail purchase from Fantasea or an authorized Fantasea dealer, by the original end-user purchaser (“Warranty Period”). This warranty does not cover any commercial use of the product. If a product defect arises and a valid claim is received within the Warranty Period, at its option, Fantasea, or its authorized service facilities will either (1) repair the product defect at no charge, (2) exchange the product with a product that is new or which has been manufactured from new or serviceable used parts and is at least functionally equivalent to the original product. The warranty will not extend beyond the original warranty period. Your Fantasea Product should be registered within 30 days of purchase. You must keep the proof of purchase which indicates the date on which the purchase was made; as you may be required to show proof of purchase if you need warranty service. The following conditions apply: 1. This warranty extends to the original purchaser only. It is not assignable or transferable. 2. The warranty does not cover damage resulting from misuse, abuse, negligence, or accidents. Proper maintenance of the Product is the responsibility of the owner. 3. The warranty does not cover damage directly or indirectly resulting from the use of unauthorized replacement parts or service performed by unauthorized facilities. 4. This warranty does not cover any damage to any other product used in conjunction with the Fantasea product, including cameras and lenses, and resulting from any defect in the product materials or workmanship. 5. The cost of sending the product back to Fantasea or its authorized service facilities is the responsibility of the customer. 6. The warranty does not cover any incidental damages resulting from any defects in the product. This expressly includes any travel reimbursements or any other costs associated with the purchaser’s optional use of the product. The conditions of this warranty are expressly in lieu of all other expressed warranties, including the payment of consequential or incidental damages for the breach of any warranty. Please register your product on line at this URL:

<http://www.fantasea.com/registration>.

For further information, please contact us at www.fantasea.com/contact
or visit our website www.fantasea.com