

Fantasea Line

BigEye Lens M67 Mark II

Cat. No. 5138

Instruction Manual



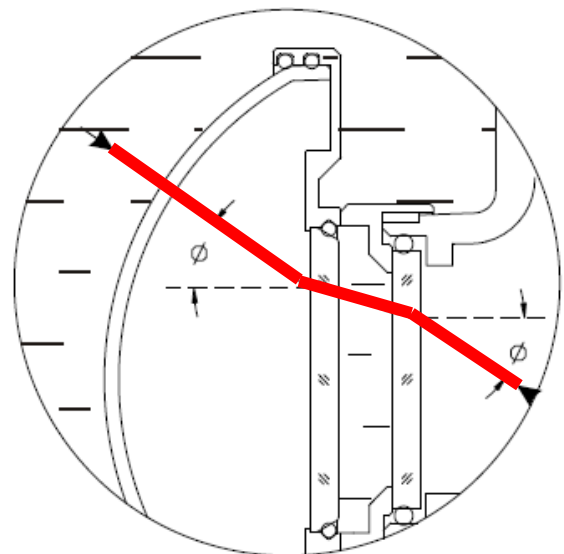
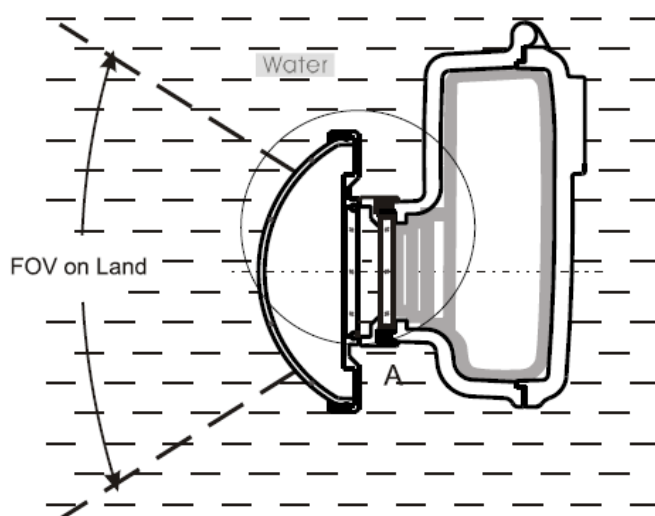
1. Introduction

The Fantasea **BigEye Lens M67 Mark II** is a patented “wet” accessory wide angle lens that fits onto the housing 67mm lens port thread and can be installed and removed during the course of the dive. It is perfect for photographing seascapes, divers, ship wrecks and schools of fish without moving further away from the subject, thereby still taking full advantage of water clarity and artificial light sources.

The **BigEye Lens M67 Mark II** can be mounted directly on top of 67mm threaded housing lens ports or on top of lens ports featuring a different thread, by using a compatible adaptor.

2. Technology

The **BigEye Lens M67 Mark II** makes use of a new patented lens technology, which allows for high quality underwater wide angle images free of distortions. The new technology uses air instead of glass as an optical element and enables recovering 100% of the camera lens optical properties that would normally be lost underwater. The air pocket inside the lens enhances the angle of light refraction, thereby restoring the original angle of coverage of the camera lens (see figures below). This patented technology was specially designed for underwater photography and therefore the lens should only be used when the system is submerged in water.



Ray Tracing

3. Included in Packaging

- BigEye Lens M67 Mark II
- 2 x Lens Covers (front and rear)
- Warranty
- Instruction Manual

4. Specifications

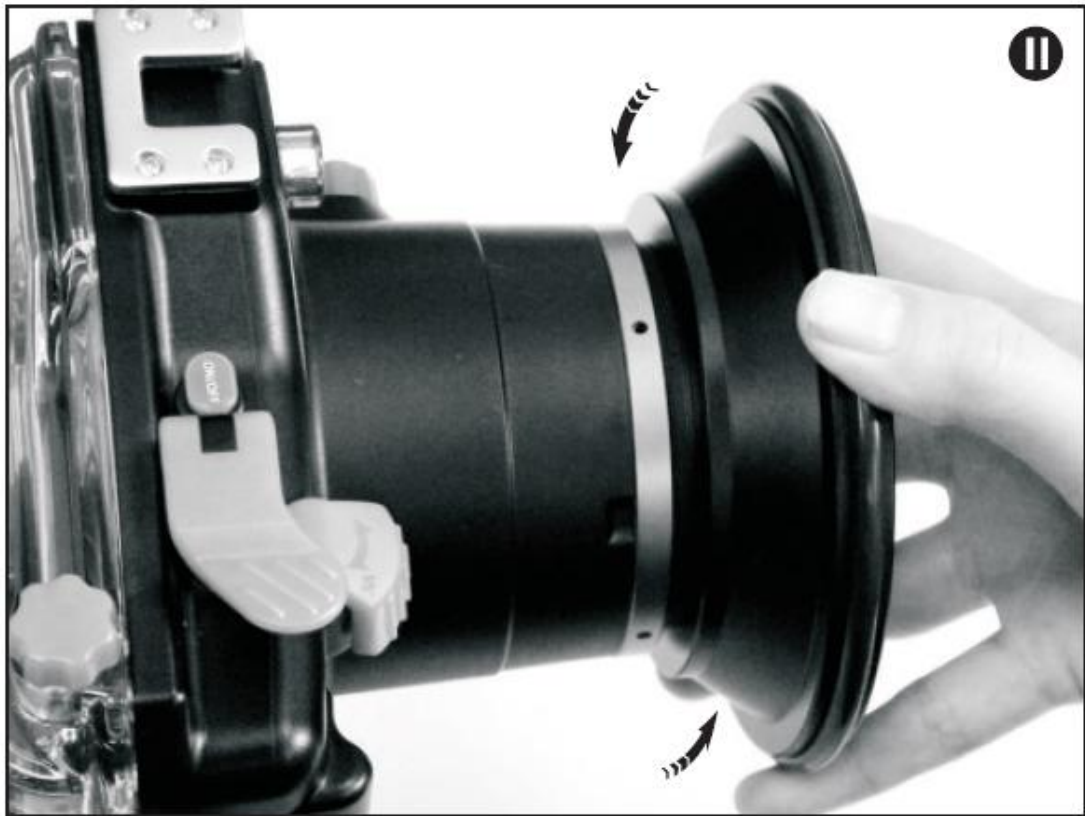
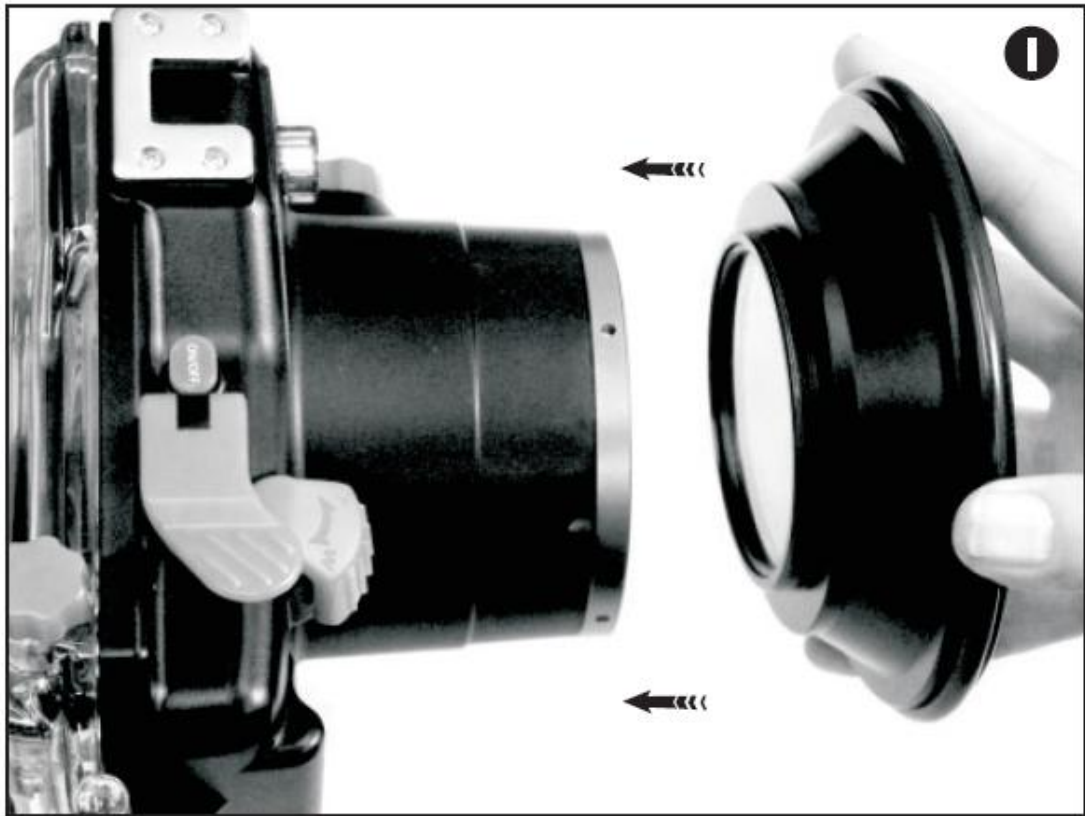
- Features a 67mm thread mount
- Depth rated to 50 meters / 160 feet
- Magnification (angle of coverage recovery): 0.75X (100%)
- Lens material: Hard coated plastic dome and aero grade aluminum alloy
- Weight (on land): 203g
- Dimensions: Ø 118mm x 32mm (D)

5. Instructions for Use

- A. Please use the utmost care and do not use excessive force when assembling and disassembling the lens, in order not to cause any damage to the product.
- B. During the dive, install the BigEye Lens by screwing it on to your housing lens port, as shown on the figures on the following page.

Important Notice:

The **BigEye Lens** should only be screwed till the point of minimal resistance. Continuing to screw the lens further than this point will make it difficult to remove it later on. If this happens, in order to remove the lens, please use a slight amount of pressure against the dome or plastic protector wings by pushing in and turning counter clockwise at the same time.



- C. **Please note that the BigEye Lens was designed to work underwater only.**
Therefore, the lens should only be installed underwater, while letting water enter the gap between the macro lens and the housing's lens port. Make sure that there are no air bubbles trapped between the BigEye Lens and the housing lens port before taking images.
- D. During the beginning of your dive, your lens might become foggy as a result of an increase in the air temperature inside the lens, following submersion in cooler water. Storing the lens in a cool dry place when not being used, such as a padded housing bag with a few silica gel packs inside, and submerging it in cool water for 10 minutes prior to the dive, will assist in preventing such condensation. However, even if your BigEye Lens starts fogging up at the beginning of the dive due to temperature differences, please note that continuing to dive with it for about 10 minutes will eventually dissolve the fog.
- E. **When taking photos with the BigEye Lens installed, set your camera focus mode to "Macro". Failing to do so will result in blurred images.**
- F. The BigEye Lens can be removed and installed repeatedly throughout the course of the dive. Whenever removing the lens, set your camera focus to the desired mode, if it is not "Macro".
- G. When removing the BigEye Lens from the housing, it can be conveniently stored by attaching it to the **EyeGrabber F67**, which mounts on Fantasea Flex Arms, thereby making it easily available for future use. For further information, please visit our website at www.fantasea.com
- H. It is recommended to use an external strobe when the BigEye Lens is mounted on the housing. The BigEye Lens blocks the camera internal flash, resulting in underexposed or shaded images.
- I. When using an external flash, there are a few techniques that should be followed in order to avoid a lens flare, which is often encountered when using dome ports of any kind due to the reflection of the sub or strobe:
- I. Images in which the sun is captured can be usually taken during mornings or afternoons, when the sun is not as strong as during the middle of the day. In general, the sun will have a much softer and successful effect during early and late hours of the day and will also cause less of a flare.
 - II. Make sure that the strobe is not positioned towards the lens. When shooting a nearby subject, for instance, it is better to position the strobe a little bit in front of the camera housing rather than behind it (so the light

doesn't reflect on the BigEye Lens), or if you choose to position the strobe behind the camera housing, make sure it's not pointed directly towards the lens, but a little bit tilted towards the side.

6. Care & Maintenance

- A. Please use the utmost care and do not use excessive force when assembling and disassembling the different accessories, in order not cause any damage to the product.
- B. Keep the BigEye Lens away from extreme high temperatures, as under direct sunlight, since it might damage the O-ring and interfere with the watertight seal of the lens.
- C. Do not clean the lens with any chemical solvents or other materials, which might cause damage to the plastic dome.
- D. Never look at the sun through the lens.
- E. When storing the lens and during transportation, make sure that it is properly protected in order to prevent scratches, cracks or any other damage to the lens.
- F. When mounting the lens on a housing lens port, it is recommended to follow the guidelines below in order to avoid wearing out the threads of the lens and housing over time:
 - I. Prior to installing the lens on the housing, it is recommended to apply a small amount of silicone grease on the threaded area of the lens (and adaptor, if used) to reduce the amount of friction.
 - II. Install the lens on the housing lens port underwater only and remove it prior to ending the dive. Once removed, the lens can be mounted on a lens holder. Avoid having the lens assembled on the housing on land as much as possible, as it is heavier and exerts more pressure on the threads.
 - III. It is recommended to reduce wearing of the threads by using lens mounting accessories such as bayonet mounts or flip adaptors.
- G. **After Dive Care:**
 - I. Detach the BigEye Lens from the housing lens port and rinse all lens components in fresh water.
 - II. To ensure that the accumulated salt has completely dissolved, it is recommended to soak the lens in warm fresh water once in a while.
 - III. Wipe the water drops with a soft cloth. Do not leave any droplets to dry on lens surface, as permanent water spots may remain.



-
- IV. Store the lens in a dry and protected area. Storing the lens in a low humidity environment will decrease the chances of the lens fogging up when submerged in water.
 - V. Do not store the lens in presence of chemicals, solvents or fuels.

7. Fantasea Products Consumer Limited Warranty

“Fantasea” warrants this Fantasea Line branded product against defects in materials and workmanship under reasonable use for a period of ONE (1) YEAR, (two years, where required by law as determined by the origin of the authorized dealer). This warranty is effective from the date of retail purchase from Fantasea or an authorized Fantasea dealer, by the original end-user purchaser (“Warranty Period”). This warranty does not cover any commercial use of the product. If a product defect arises and a valid claim is received within the Warranty Period, at its option, Fantasea, or its authorized service facilities will either (1) repair the product defect at no charge, (2) exchange the product with a product that is new or which has been manufactured from new or serviceable used parts and is at least functionally equivalent to the original product. The warranty will not extend beyond the original warranty period.

Your Fantasea Product should be registered within 30 days of purchase. You must keep the proof of purchase which indicates the date on which the purchase was made; as you may be required to show proof of purchase if you need warranty service. The following conditions apply: 1. This warranty extends to the original purchaser only. It is not assignable or transferable. 2. The warranty does not cover damage resulting from misuse, abuse, negligence, or accidents. Proper maintenance of the Product is the responsibility of the owner. 3. The warranty does not cover damage directly or indirectly resulting from the use of unauthorized replacement parts or service performed by unauthorized facilities. 4. This warranty does not cover any damage to any other product used in conjunction with the Fantasea product, including cameras and lenses, and resulting from any defect in the product materials or workmanship. 5. The cost of sending the product back to Fantasea or its authorized service facilities is the responsibility of the customer. 6. The warranty does not cover any incidental damages resulting from any defects in the product. This expressly includes any travel reimbursements or any other costs associated with the purchaser’s optional use of the product. The conditions of this warranty are expressly in lieu of all other expressed warranties, including the payment of consequential or incidental damages for the breach of any warranty. Please register your product on line at this URL:

<http://www.fantasea.com/registration>.

For further information, please contact us at www.fantasea.com/contact or visit our website www.fantasea.com