

# INON

## INON LD Lens Holder S / LD Lens Holder W / LD Lens Holder for Float Arm

Thank you for purchasing INON product.

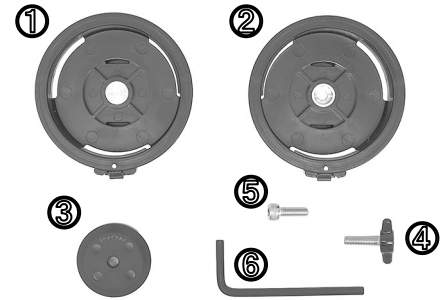
INON LD Lens Holder is attached on compatible strobe arm / Grip Base to carry 28LD mount series attachment lens to help easy and speedy lens replacement underwater.

### Features

- INON 28LD Mount (bayonet mount) compatible. Carries INON 28LD mount series lens on compatible Arm body / YS Arm body / Float Arm body / Grip Base.

<b>Package contents:</b>	• LD Lens Holder [screw]	①	×1 (S/W* only)
	• LD Lens Holder [hole]	②	×1 (W/F* only)
	• LD Lens Holder Base	③	×1 (S/W* only)
	• M5x18 Thumb Knob Screw	④	×1 (S/W* only)
	• M5x15 Cap Screw	⑤	×1 (W* only)
	• Allen Wrench (4mm width)	⑥	×1 (W/F* only)
	• This user manual		×1

\*"S" stands for "LD Lens Holder S", "W" for "LD Lens Holder W" and "F" for "LD Lens Holder for Float Arm"



### Compatible lens/ accessory (as of April 2011)

- 28LD related products
  - INON 「UWL-H100 28LD」 Wide Conversion Lens
  - INON 「UCL-165LD」 Close-up Lens
  - INON 「AD-LD Mount Converter for UCL-165AD」
  - INON 「M67-LD Mount Converter for UCL-330/165M67」

### Compatible arm (as of April 2011)

- LD Lens Holder type differs among different strobe arm / Grip Base etc. to use. Please check if your LD Lens Holder is compatible with your strobe arm / Grip Base etc. before installation. Compatible products are categorized as below based on 1) expandable 28LD Mount per unit and 2) maximum mountable number of lens holder per compatible product. Maximum number of compatible 28LD attachment lens per single strobe arm/Grip Base etc. can be calculated by "1) x 2)".

#### ● [1] LD Lens Holder S / LD Lens Holder W compatible products

- Group ①
  - 1) One 28LD Mount per single unit (LD Lens Holder S or W)
  - 2) Maximum one LD Lens Holder S or W per strobe arm/Grip Base  
→ **【Maximum mountable lens is one】**
  - INON Grip Base DII with Rubber Grip D, Grip Base DIII with Rubber Grip D
  - INON D Holder Extension Bar + Grip Base D4
  - INON D Holder Extension Bar + D Holder
- Group ②
  - 1) One 28LD Mount per single unit (LD Lens Holder S)
  - 1) Maximum two 28LD Mounts per single unit (LD Lens Holder W)
  - 2) Maximum one LD Lens Holder S or W per arm  
→ **【Maximum two lenses can be carried】**
  - INON Arm SS body, Arm S body, YS Arm MS body
- Group ③
  - 1) One 28LD Mount per single unit (LD Lens Holder S)
  - 1) Maximum two 28LD Mounts per single unit (LD Lens Holder W)
  - 2) Maximum two LD Lens Holder S or W per arm  
→ **【Maximum four lenses can be carried】**
  - INON Arm M body, YS Arm M body
- Group ④
  - 1) One 28LD Mount per single unit (LD Lens Holder S)
  - 1) Maximum two 28LD Mounts per single unit (LD Lens Holder W)
  - 2) Maximum three LD Lens Holder S or W per arm  
→ **【Maximum six lenses can be carried】**
  - INON Arm L body

#### ● [2] LD Lens Holder for Float Arm / LD Lens Holder W compatible products

- Group ⑤
  - 1) One 28LD Mount per single unit (LD Lens Holder for Float Arm / LD Lens Holder W)
  - 2) Maximum two LD Lens Holder for Float Arm or W per float arm  
→ **【Maximum two lenses can be carried】**
  - INON Float Arm S body, Float Arm M body, Float Arm ML body, Mega Float Arm S body, Mega Float Arm M body

## How to use

- **When attaching one 28LD Mount on compatible product in Group ①~④** 【LD Lens Holder S/W】  
Attach the LD Lens Holder [screw] and the LD Lens Holder Base on compatible arm as shown in images below so that the arm seats in groove between the lens holder and the base. \*INON logo on the LD Lens Holder Base must face you. Then fix them by tightening the thumb knob screw.  
Refer to 「D Holder Extension Bar」 user manual for detail of using with the 「D Holder Extension Bar」.



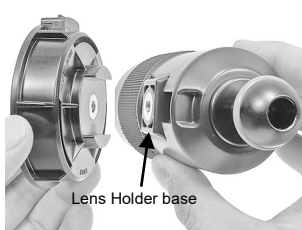
- **When attaching two 28LD Mounts on compatible product in Group ②~④** 【LD Lens Holder W only】  
Attach the LD Lens Holder [screw] and the LD Lens Holder [hole] on compatible arm as shown in images below so that the arm seats in groove between the two parts. \*LD Lens Holder (hole) must face you. Then fix them with the Cap Screw by using supplied Allen Wrench. **DO NOT tighten too much to avoid damage on the LD Lens Holder.**



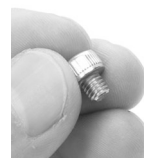
- **When attaching one 28LD Mount on compatible product in Group ⑤** 【LD Lens Holder W / LD Lens Holder for Float Arm】  
Attach the LD Lens Holder [hole] on compatible product as shown in image below so that the Lens Holder base on the compatible product seats in groove of the LD Lens Holder [hole]. Then fix it by the Cap Screw supplied with compatible product.

**DO NOT use supplied cap screw comes with this product or compatible product in Group ⑤ will be damaged.**

**DO NOT tighten too much to avoid accidental damage on the LD Lens Holder.**



Use this      Don't use



Supplied cap screw  
with Float Arm

Supplied cap screw  
with LD Lens Holder

- **When attaching two 28LD Mounts on compatible product in Group ⑤** 【LD Lens Holder W / LD Lens Holder for Float Arm】  
Prepare additional LD Lens Holder[hole] and attach to the Lens Holder base on the other side of compatible product in group ⑤ by following same procedure described in previous section.  
【It is necessary to prepare two LD Lens Holders (LD Lens Holder W or LD Lens Holder for Float Arm)】
- **How to attach 28LD mount series lens**  
Follow same procedure to attach on 28LD Mount Base. Refer to 28LD mount series lens user manual for detail.

INON Inc. 2-18-9, Dai, Kamakura, Kanagawa 247-0061  
E-mail [support@inon.co.jp](mailto:support@inon.co.jp) / Fax. +81(0)467-48-2178  
URL <http://www.inon.jp/>

April 2011