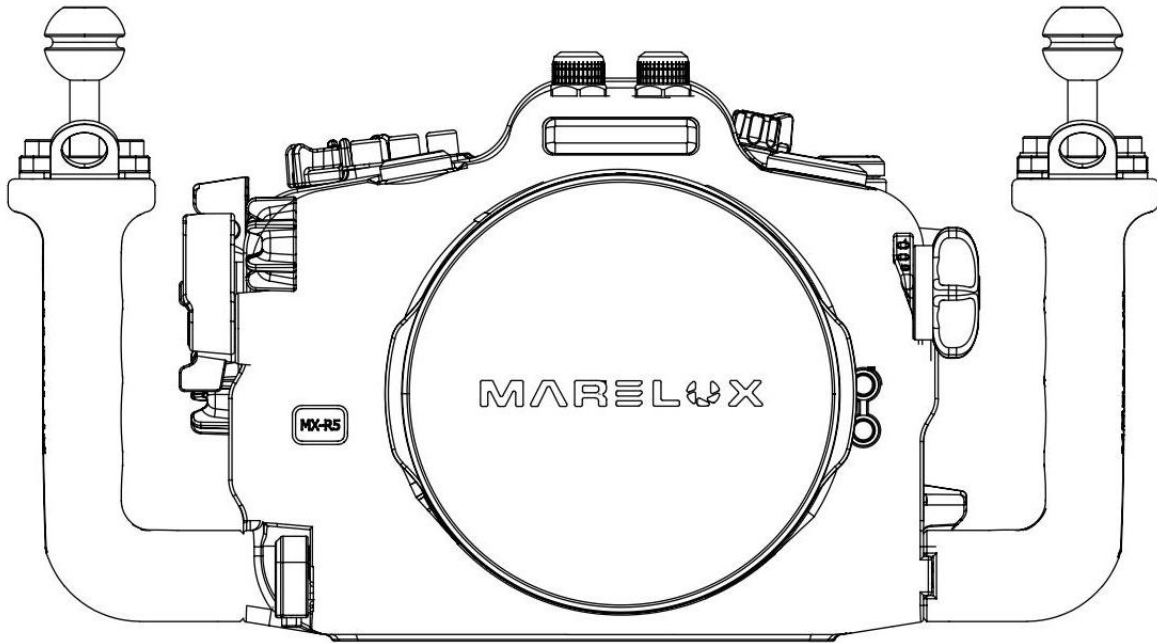


# MX-R5

FOR CANON EOS R5 MIRRORLESS CAMERA



## User Manual

Please read this users' manual carefully before starting to use the product, and use the product properly based on the thorough understanding of this user manual.

<https://marelux.co/>

# Important Notices

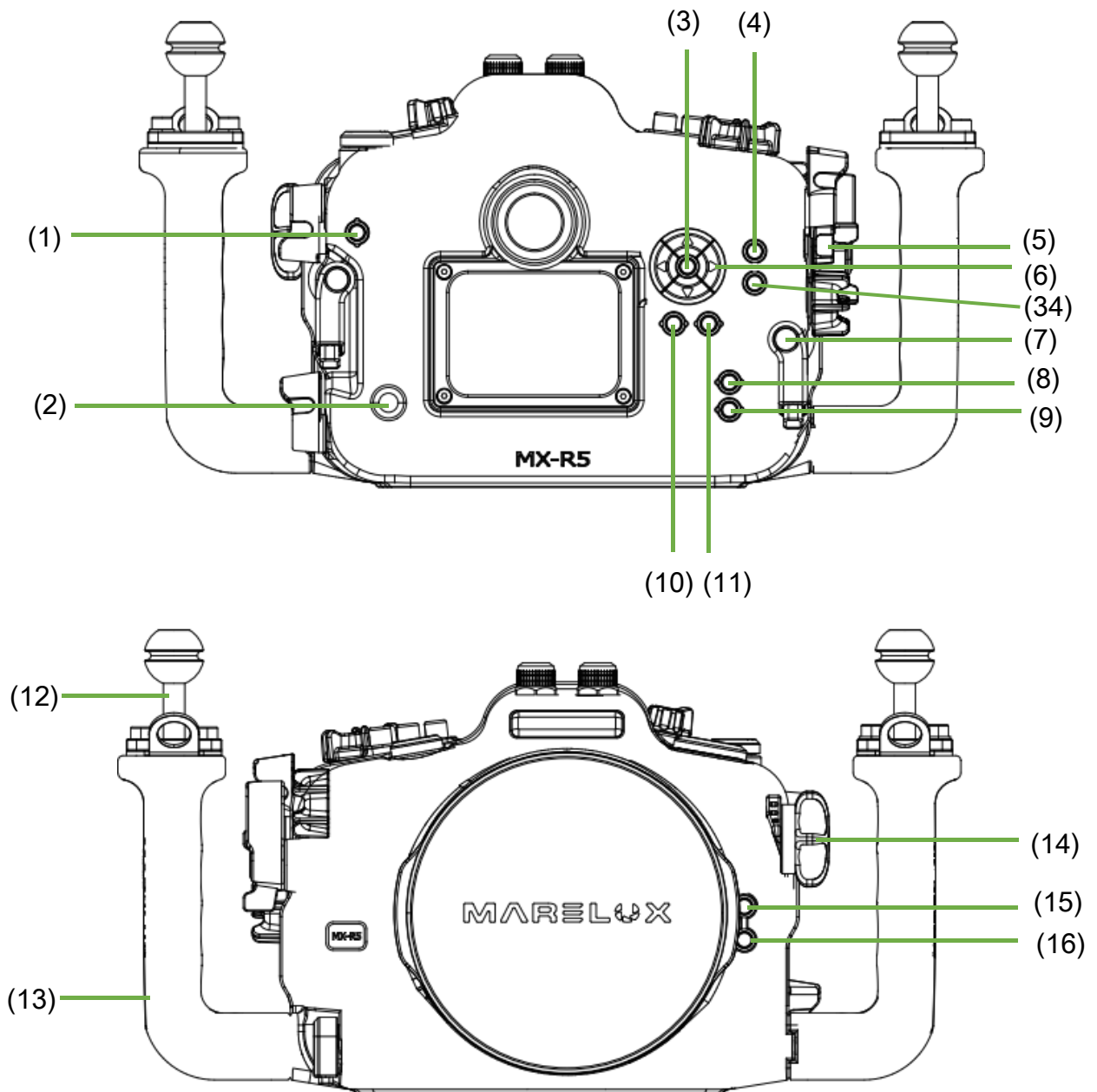
1. This product, Marelux housing body, must be used together with other Marelux parts and accessories, for example, Marelux Extension Ring, Dome, Macro Port, etc. Using parts or accessories from other Makers may cause malfunction or damage to this product.
2. This product is designed to be used at most 100m (330ft) under sea or fresh water level. Please note that damage or leak can be caused to the product when the water depth is over 100m (330ft).
3. The lubricant inside the package is not edible and should be used only on the O-Rings in Marelux products (Refer to the O-Ring notices section for more details).
4. Stop using this housing immediately when there is water leak.
5. Don't uninstall components from the housing body by yourself. Repair shall be done in Marelux authorized service centers.
6. Always make sure the housing body is placed on a steady surface to avoid accidental falling. Avoid striking or colliding that may cause damages to the product.
7. Avoid long time exposure in strong sunlight or extreme heat.
8. Don't open housing body in humid or sandy environment to avoid damage of electronic circuit, or leakage caused by small objects.
9. Before opening the housing body, or uninstalling the extension ring and port when installing lens, please clean the surface of the housing, remove water droplets, to prevent water or foreign objects from entering into the housing.
10. Put the housing and its accessories out of young children's reach, to avoid small parts or lubricant accidentally swallowed by children. In case this happens, please get necessary medical treatment immediately.
11. Except for the lubricant that's provided by Marelux, don't use any other chemical, cosmetic, dissolvent material on the housing surface and its accessories.
12. If this product is not used for a long period, check the housing along with its accessories carefully according to the manual before reusing it.
13. Marelux is not responsible for losing or damaging of user's photo, video or other form of user data in the camera or memory card. Marelux is not responsible for damages of user's camera, lens or other accessories when Marelux products are not properly used according to this user manual. Marelux will take no responsibility for any mistakes or discrepancies in this user manual.

# O-Ring Notices

1. Always check carefully if there is scratch, crack, deformation on the O-Ring. Remove any foreign objects such as sand, dust, or hair on the O-Ring.
2. For maintenance of the Marelux O-Ring, only use the original lubricant supplied by Marelux. Any unauthorized usage of lubricant or chemical material from other brands on the O-Ring may cause malfunction or damage of the O-Ring and even lead to leakage to the housing.
3. Change the O-Ring if there is any scratch, crack, deformation, avoid using tools with sharp edge to change the O-Ring.
4. After ensuring the O-Ring is in good condition, use fingers to apply a thin layer of lubricant on the O-Ring. Be aware that too much lubricant may make dust, sand, hair or other small objects easy to stick on the O-ring.
5. Put the O-Ring straight into the O-Ring slot on the housing without twisting it.
6. Suggest taking out the O-Ring to check before each use of the housing.
7. If not used for a long time, please take out the O-Ring and put it in a cool place without direct sunlight. Don't put any pressure on it or twist it.
8. Don't overstretch the O-Ring.
9. The recommended normal use time of O-Ring is 1 year and it varies due to frequency of usage, maintenance and storage situation. Please replace it whenever any issue is found during examination.

# Part Names and Functions

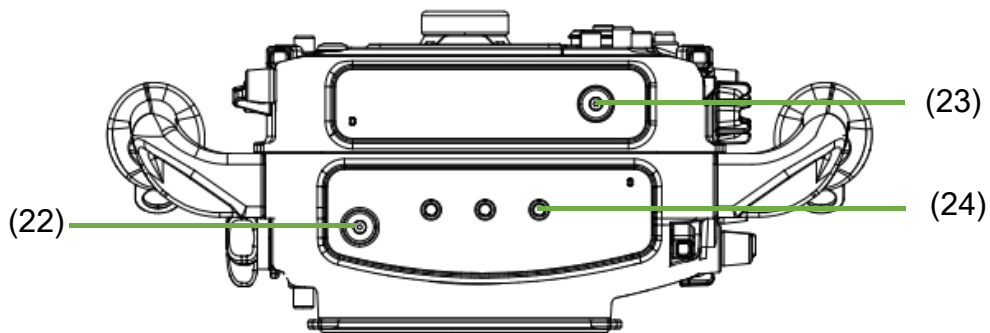
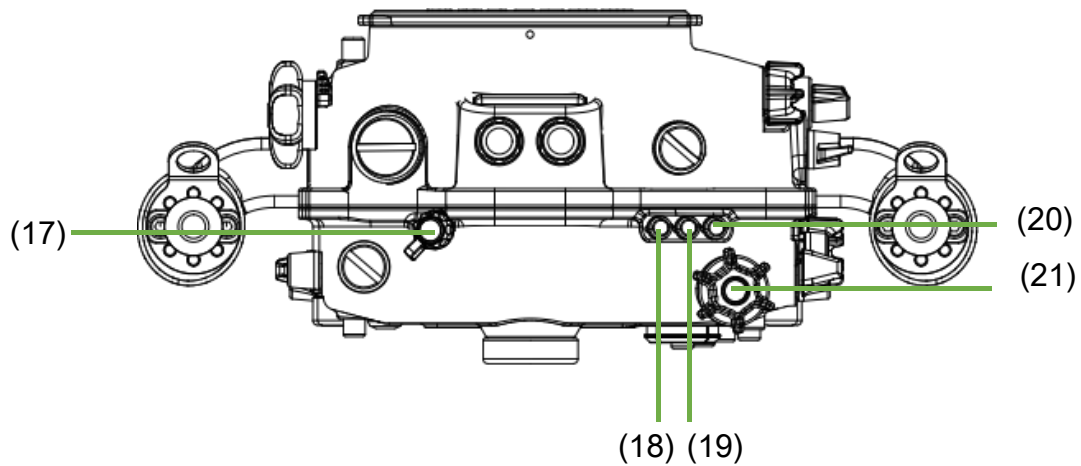
Front+Back Side View



- |                          |                     |                                   |
|--------------------------|---------------------|-----------------------------------|
| ( 1 ) RATE               | ( 7 ) Security Lock | ( 13 ) Handle                     |
| ( 2 ) Alarm Light        | ( 8 ) SET           | ( 14 ) Zoom Dial                  |
| ( 3 ) OK                 | ( 9 ) Delete        | ( 15 ) RF Lens release            |
| ( 4 ) Auto-Exposure Lock | ( 10 ) INFO         | ( 16 ) EF Lens release            |
| ( 5 ) Quick Menu         | ( 11 ) Enlarge      | ( 34 ) Auto Focus Point Selection |
| ( 6 ) Arrow Button       | ( 12 ) Ball Mount   |                                   |

# Part Names and Functions

Up+Down Side View

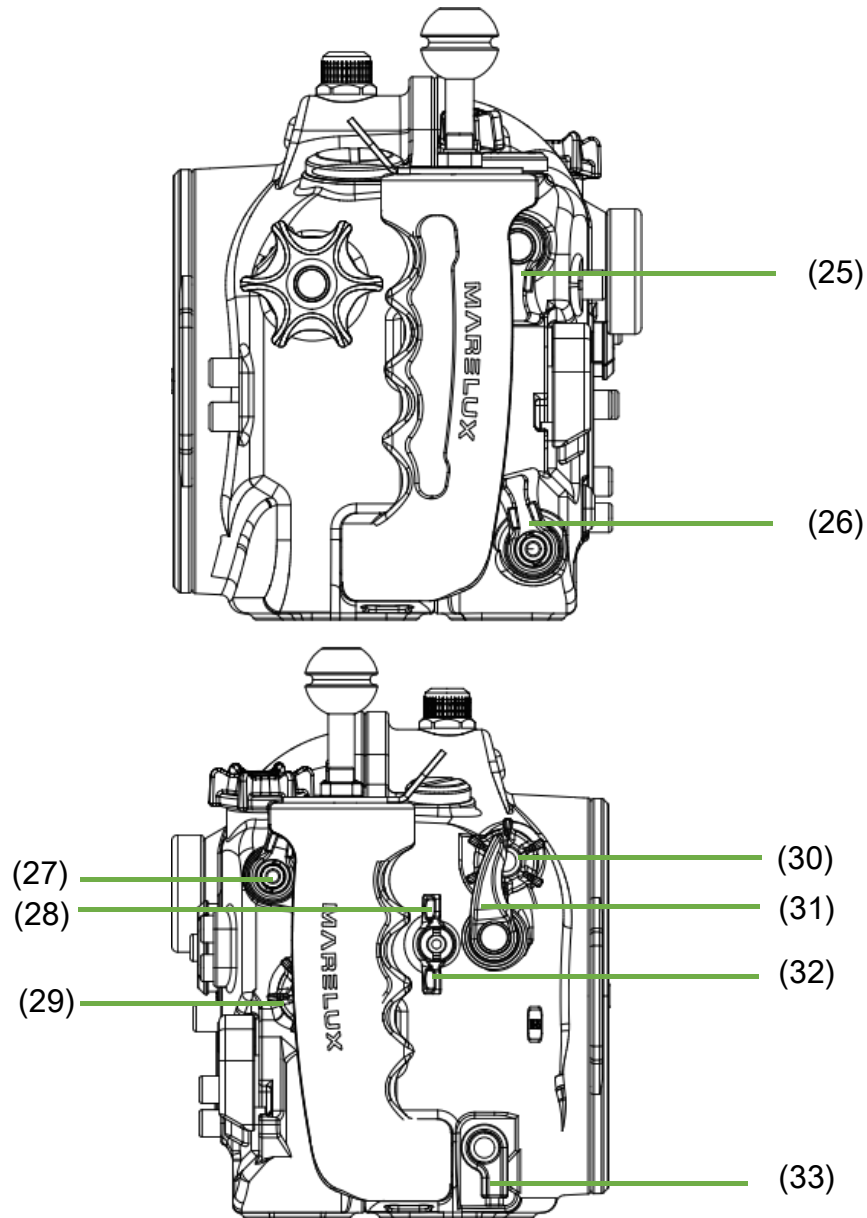


- ( 17 ) ON/OFF
- ( 18 ) Speed Control
- ( 19 ) MODE
- ( 20 ) LOCK
- ( 21 ) Rear Dial
- ( 22 ) Sacrificial Anode

- ( 23 ) Sacrificial Anode
- ( 24 ) 1-20 UNC Screw Hole

# Part Names and Functions

Left+Right Side View



( 25 ) MENU

( 26 ) Replay

( 27 ) AF-ON

( 28 ) M-Fn

( 29 ) Rear Dial

( 30 ) Front Dial

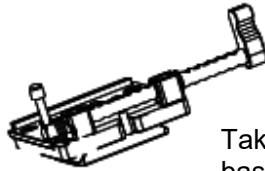
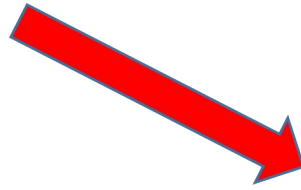
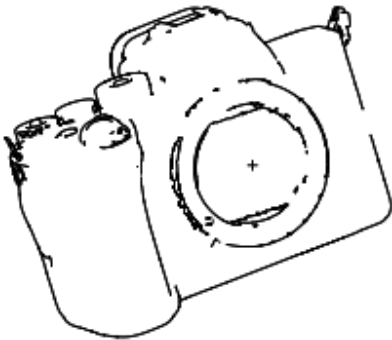
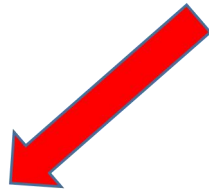
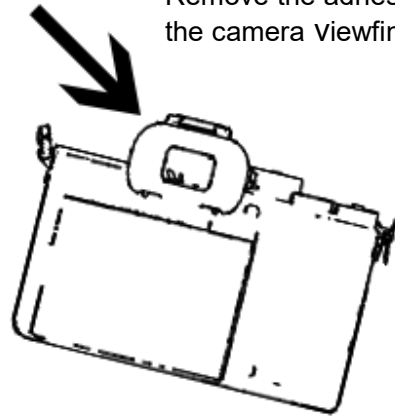
( 31 ) Shutter

( 32 ) REC

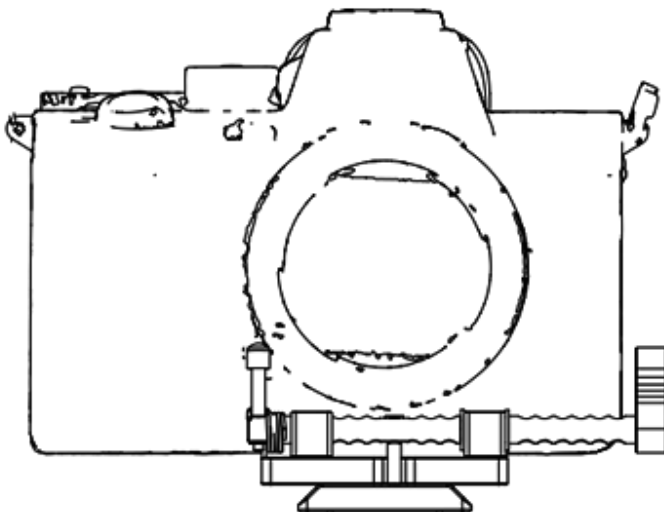
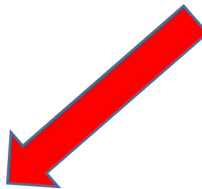
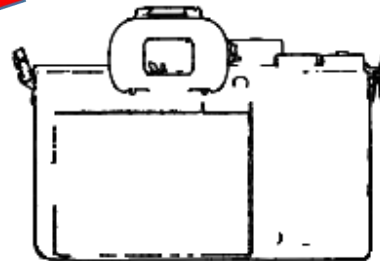
( 33 ) LOCKOPEN

# Install Camera

Remove the adhesive tape ring on the camera viewfinder

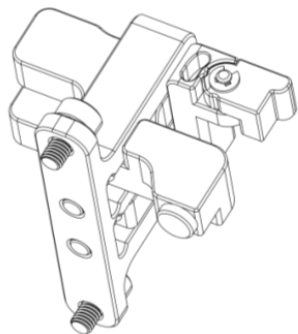


Take out the camera base plate first.

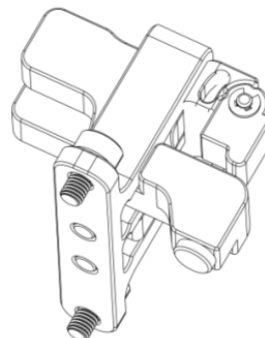


Align and fasten the screw on the base plate to the screw hole under the camera body.

# RF & EF Lens Baseplate Installation

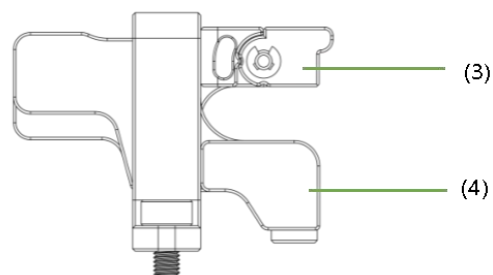
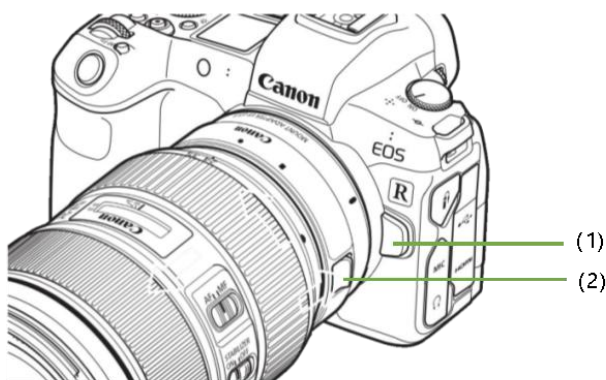


Baseplate position when installing EF lens



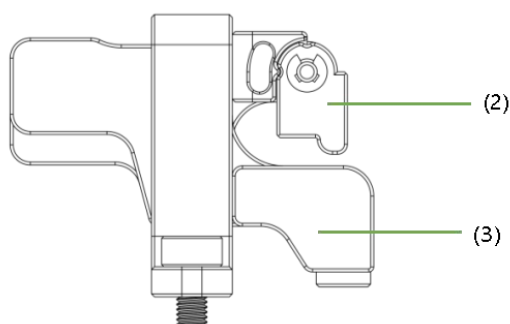
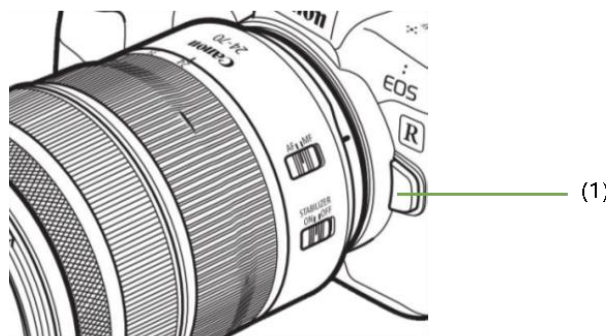
Baseplate position when installing RF lens

## Install EF Lens



Turn the lever (3) upwards (as shown in diagram 2), align the RF lens release button (1) with the lever (4) on the baseplate and align the release button on the adapter (2) with the lever (3) on the baseplate.

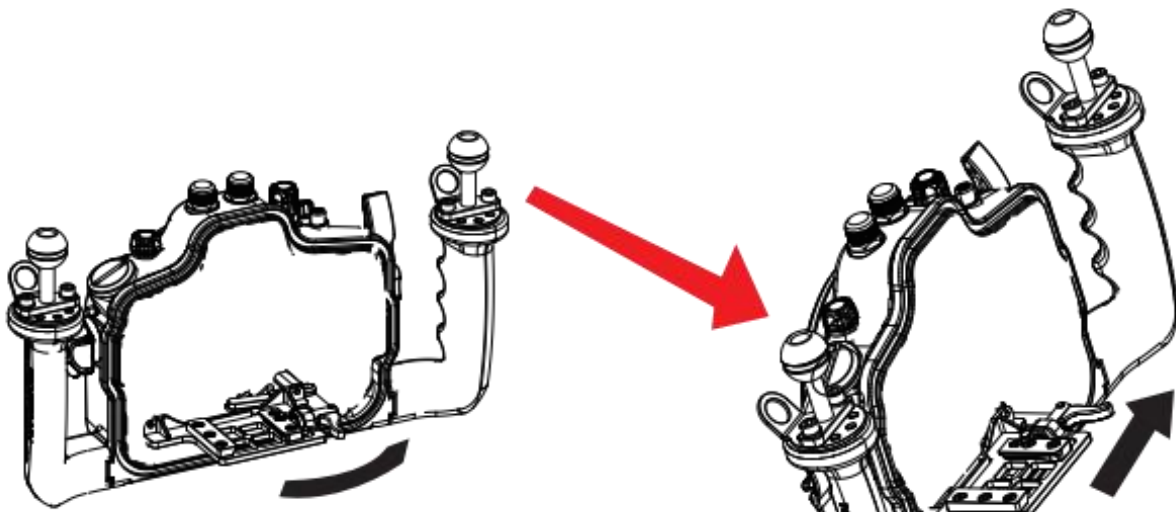
## Install RF Lens



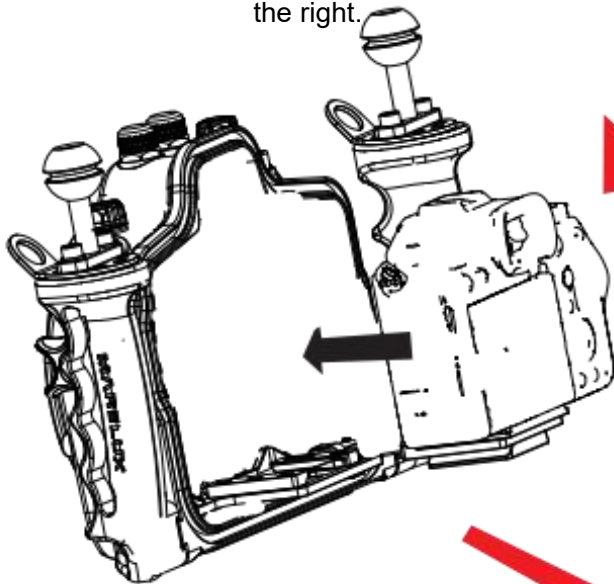
Turn the lever (2) downwards to close it (as shown in diagram). Align the RF release button (1) with the lever (3) on the baseplate.



# Install Camera

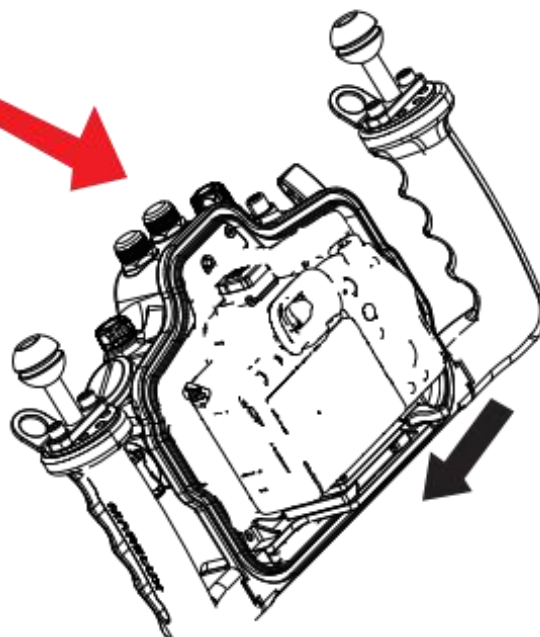


Push the handle on the rightside of the housing mounting base to the right.

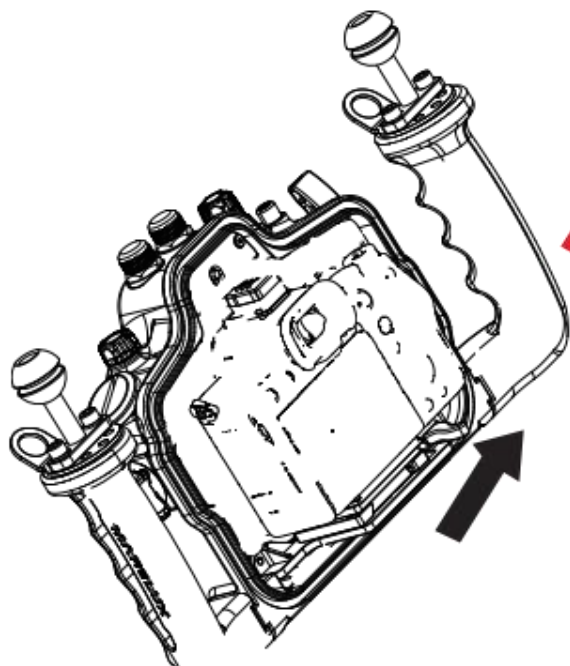


Align the baseplate below the camera to the slot on the mounting base,

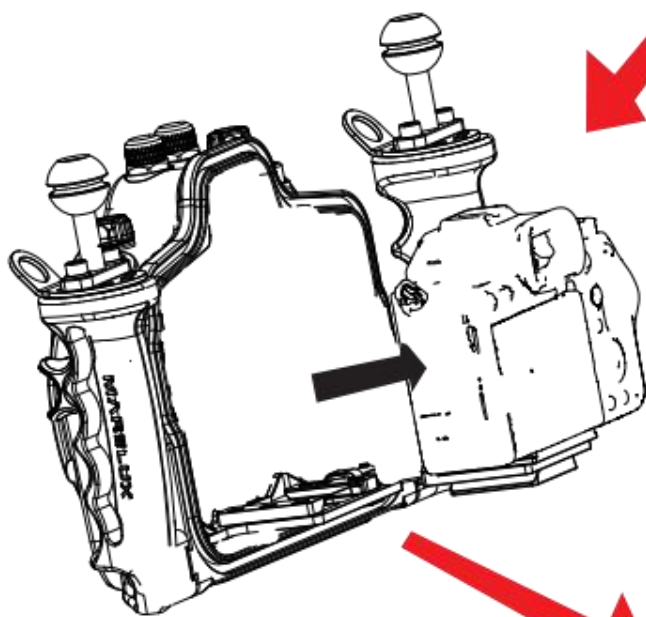
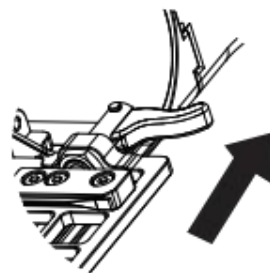
Lock the camera with baseplate onto the mounting base by pushing the handle to the left.



# Remove Camera

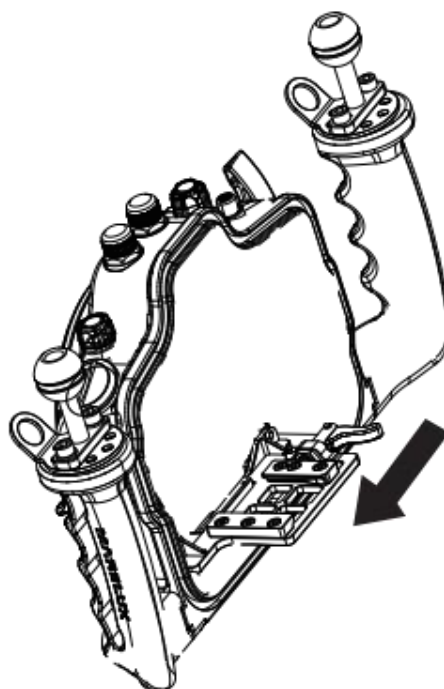


Push the handle to the right to release the camera from the mounting base.



Pull the camera out of the mounting base.

Push the handle back to the left to lock it.

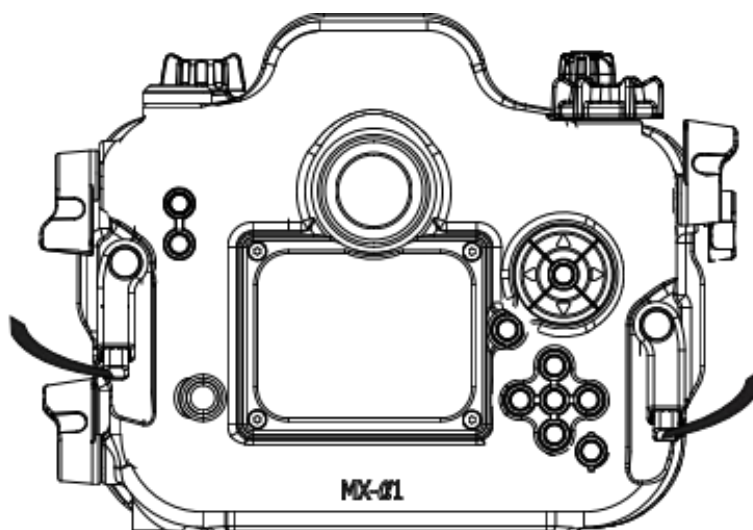


# Open Housing Body

## Caution:

1. Please place the housing body on a flat surface before opening it.
2. Pull up the red knob of the vacuum valve to balance air pressure inside and out side the housing.

Push the buttons of security locks on both sides simultaneously

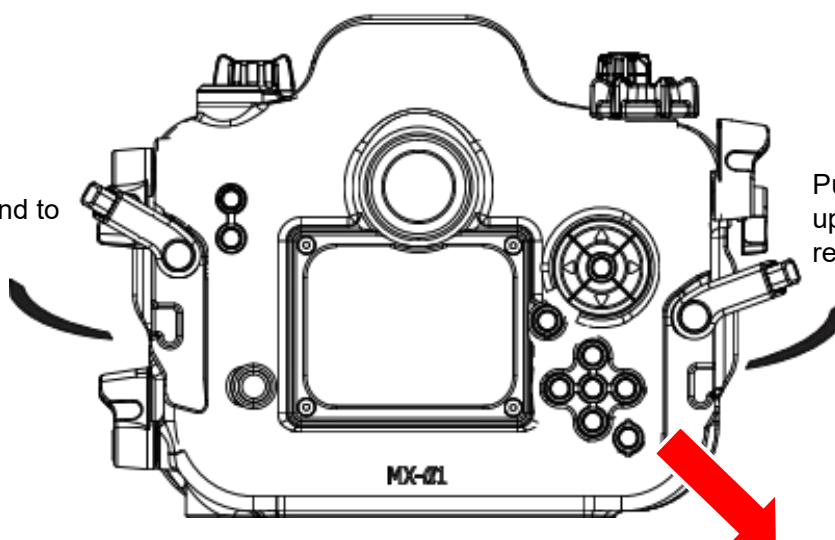


Push the buttons of security locks on both sides simultaneously

Turn the housing lock outwards.



Push two knobs upwards to the end to release the lock



Push two knobs upwards to the end to release the lock

Separate back cover from front cover of the housing with both hands.

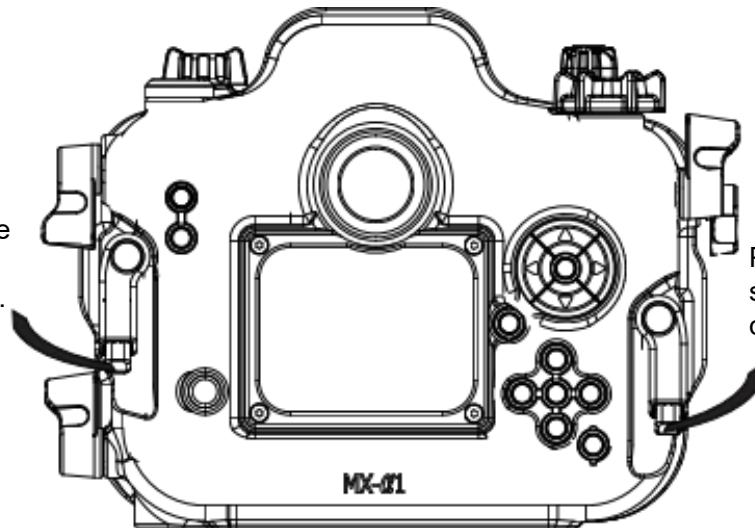


# Close Housing Body

## Caution:

1. Before closing the housing body, clean the O-Ring and put lubricant on it.
2. Make sure there is no foreign object accidentally staying between, and align the fringes of front and back cover

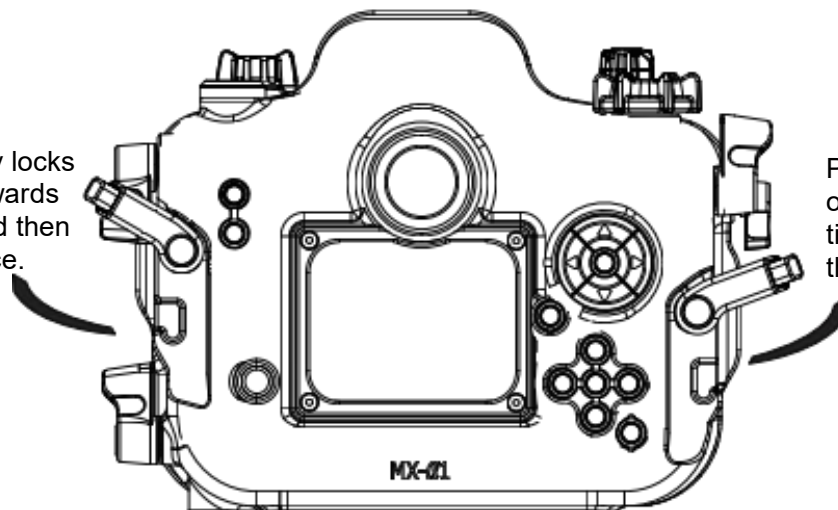
Push both knobs of the security locks downwards to the end.



Push both knobs of the security locks downwards to the end.

Turn the housing lock inwards.

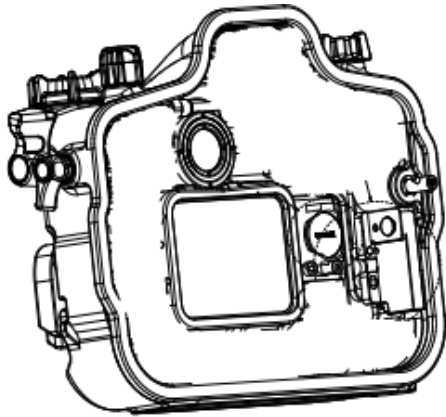
Push the security locks on both sides inwards till a click is heard then the lock is in place.



Push the security locks on both sides inwards till a click is heard then the lock is in place.

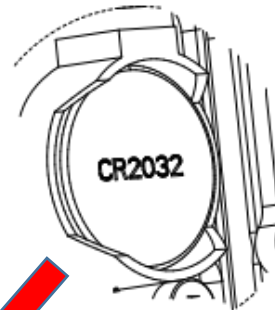
Till the lock is in position.

# Set up the moisture indicator and the leak detector alarm.

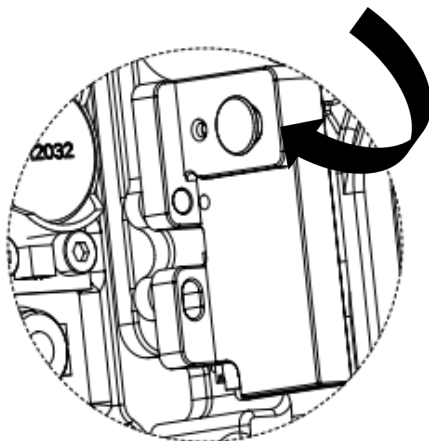


Take out the insulation film of the battery.

Press the battery gently till it touches the bottom.



Press the red on/off button for one second to turn on the leak detector



The indicator will blink twice in green (diagram 1)  
Then keep blinking in yellow (diagram 2)

DETAIL B  
SCALE 2:1

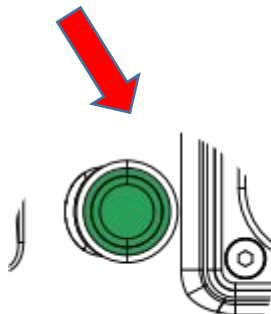


Diagram 1

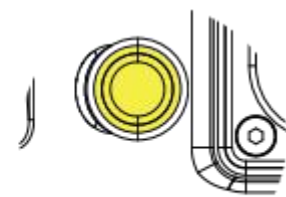
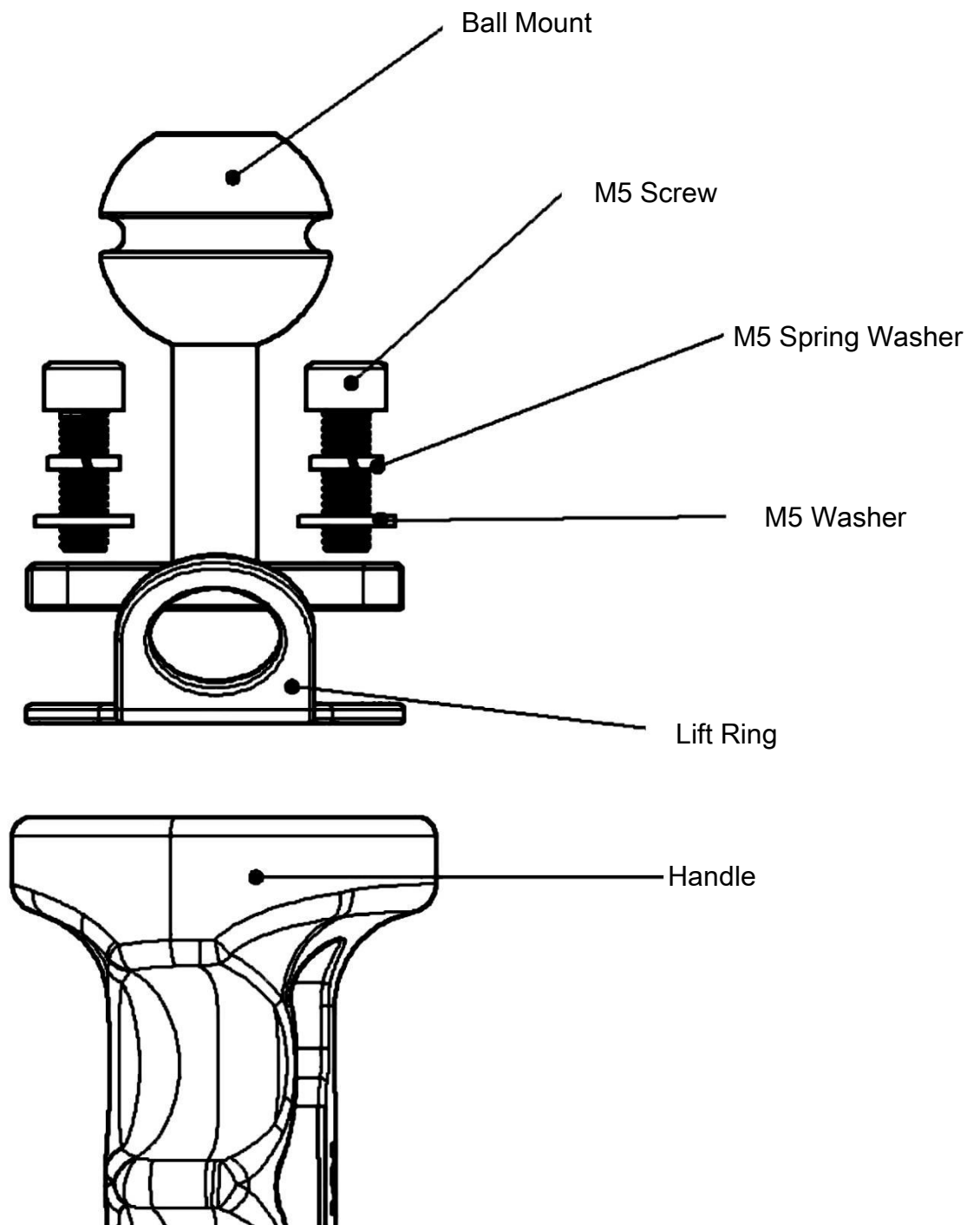


Diagram 2

# Mounting Ball Installation Diagram



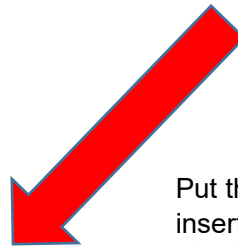
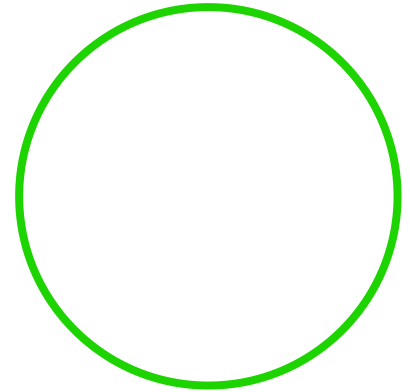
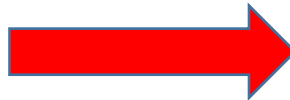
# Install O-Ring

## Caution:

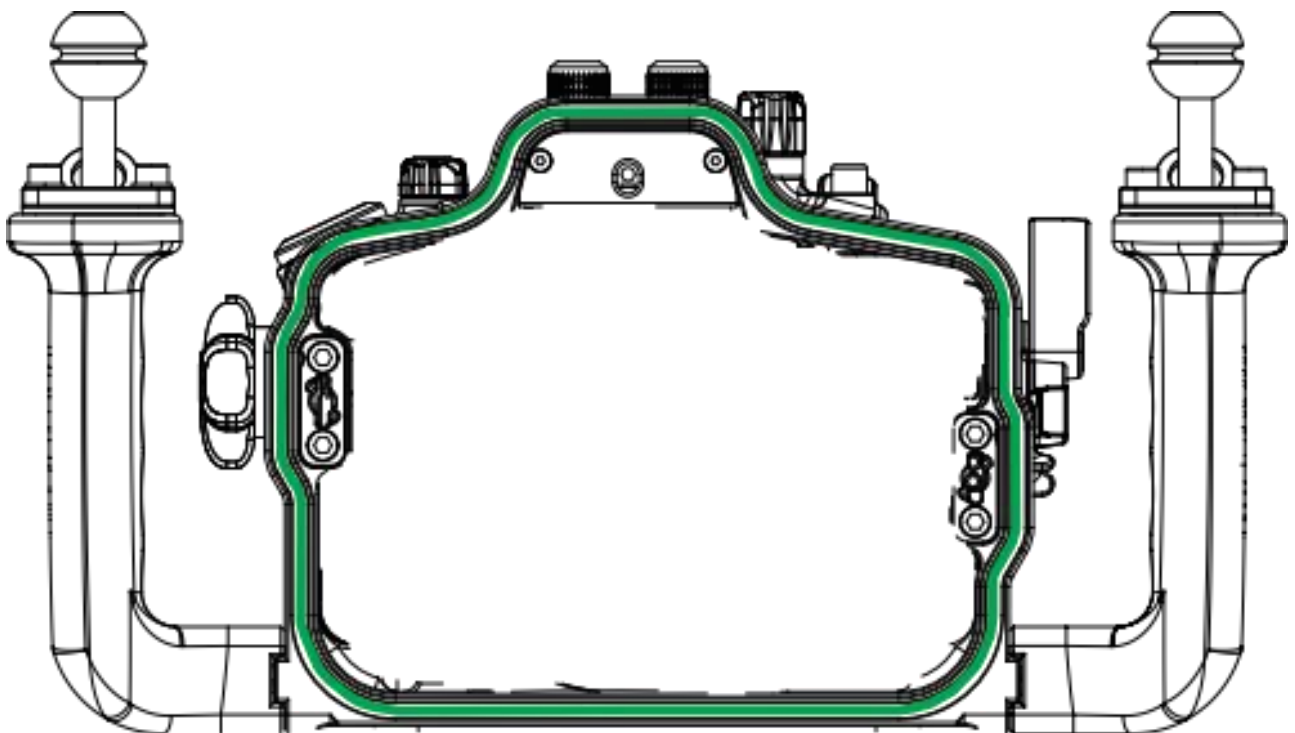
1. Use finger or tool without sharp edge to take out the O-Ring from the housing.
2. Clean the O-Ring and the slot on the housing with a soft cloth, make sure there is no salt or other foreign objects remaining.



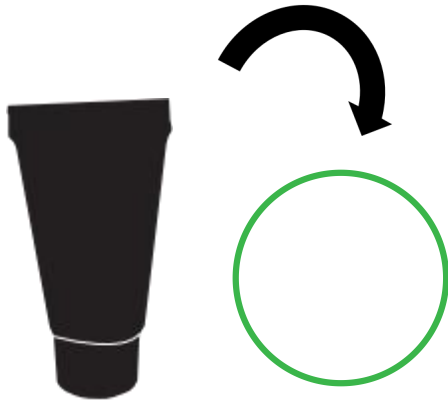
Gently put lubricant on the O-Ring.



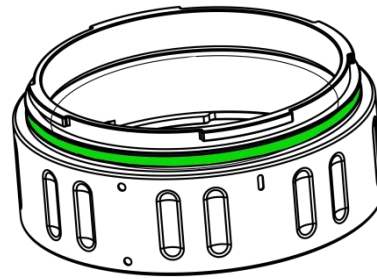
Put the O-Ring back into the slot by inserting it into one corner first, then slowly press it in along the slot.



# Install Extension Ring

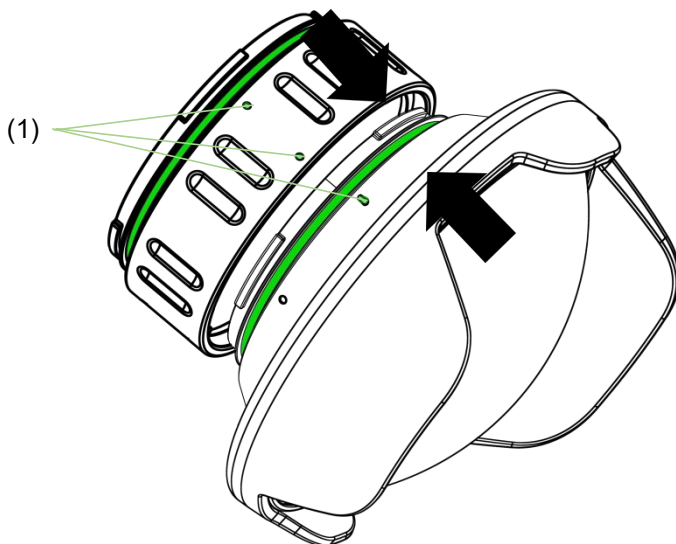
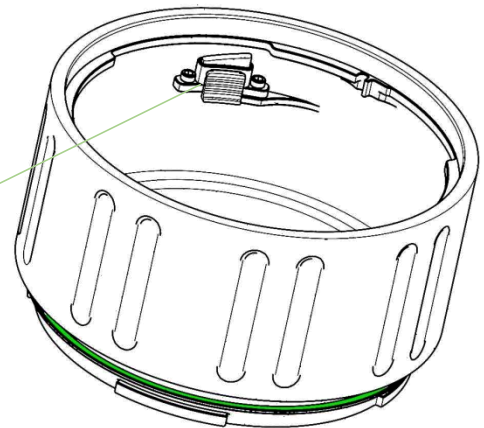


**01** Gently apply the supplied lubricant on the O-Ring and install it on the sealing groove.



**02** Set the safety lock of the extension ring in bulge state. (As shown in figure)

Safety lock



**03** Align the dot sign on the extension ring to the bar sign on the dome port, then press the extension ring onto the dome port till they are fully attached. (As shown in Figure 1)

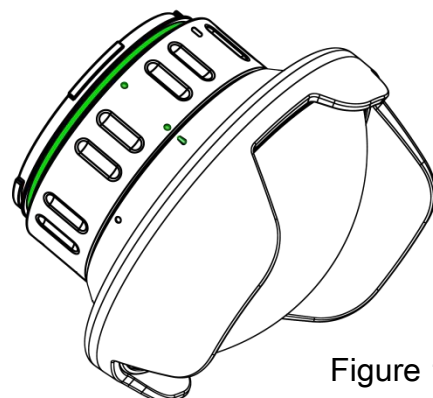


Figure 1



- 04** Rotate the extension ring counterclockwise until the dot sign on the extension ring is aligned with the dot sign on the dome port. Turn the dome port to verify that the safety lock is locked. (As shown in Figure 2)

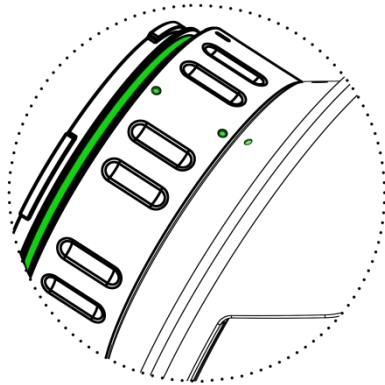
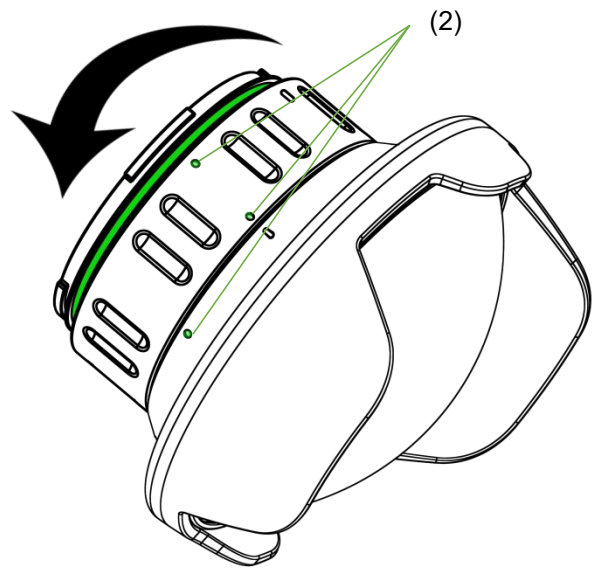
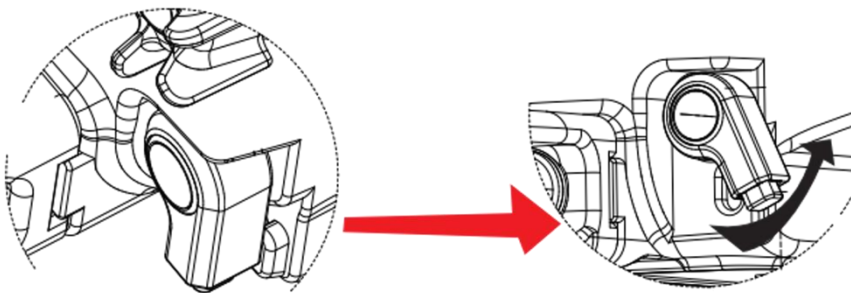


Figure 2



- 05** Press the button on the extension ring lock and pull the knob outwards to open the lock.



**06** Hold the dome port assembled with the extension ring, align the bar sign of the extension ring with the dot sign of the housing, then press the extension ring onto the housing till they are fully attached.  
(As shown in Figure 3)

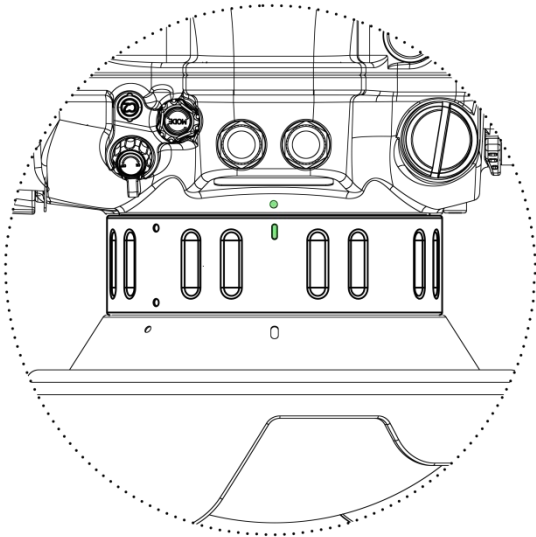
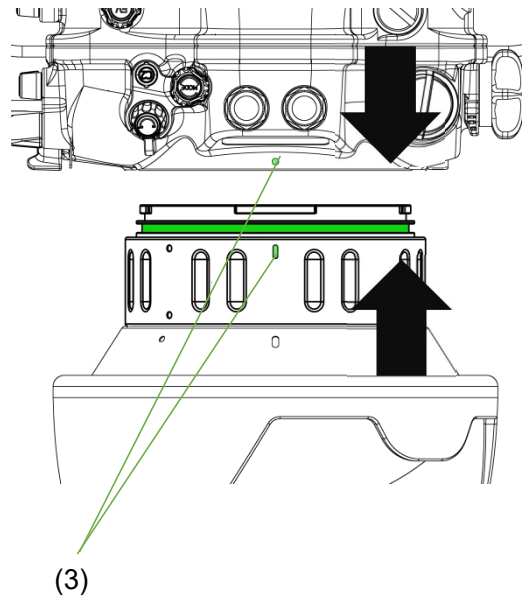


Figure 3



**07** Rotate the extension ring clockwise until the dot sign on the extension ring is aligned with the dot sign of the housing. (As shown in Figure 4)

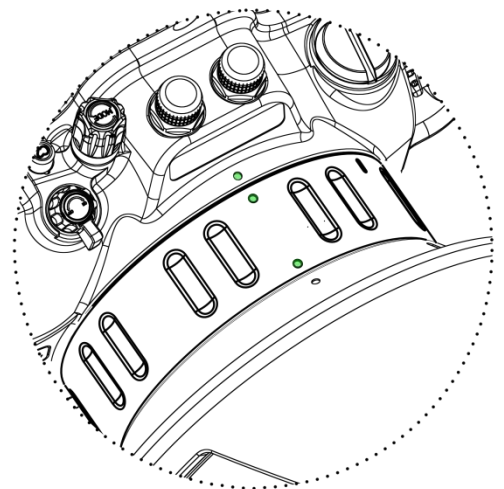
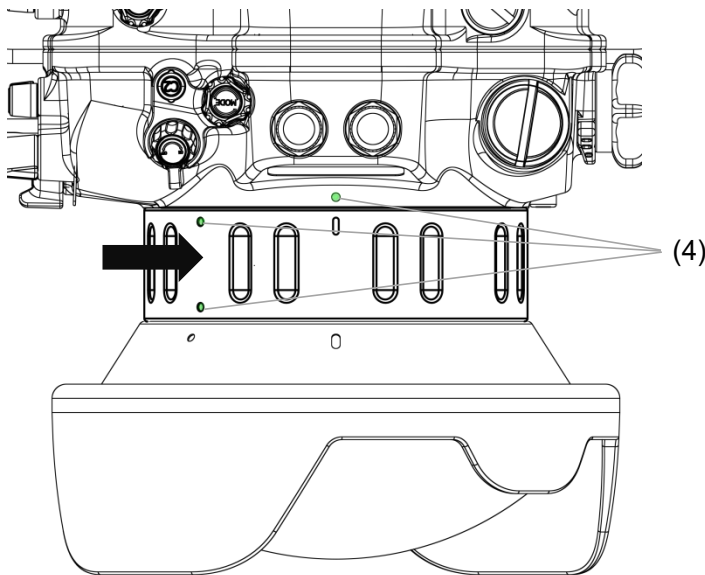
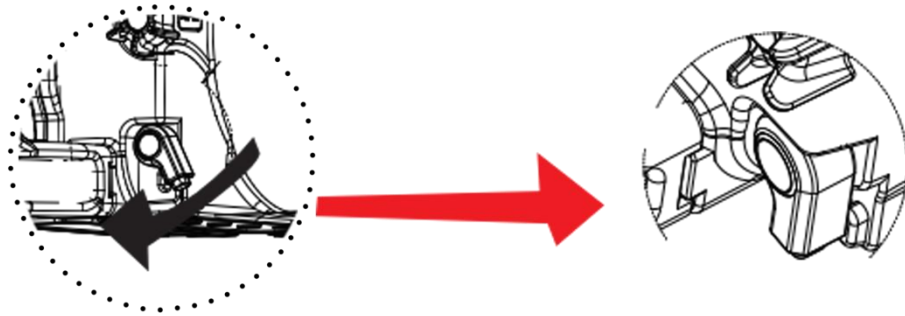
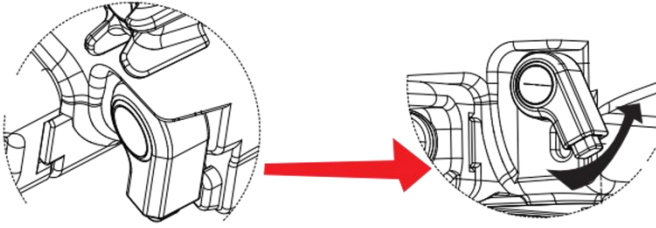


Figure 4

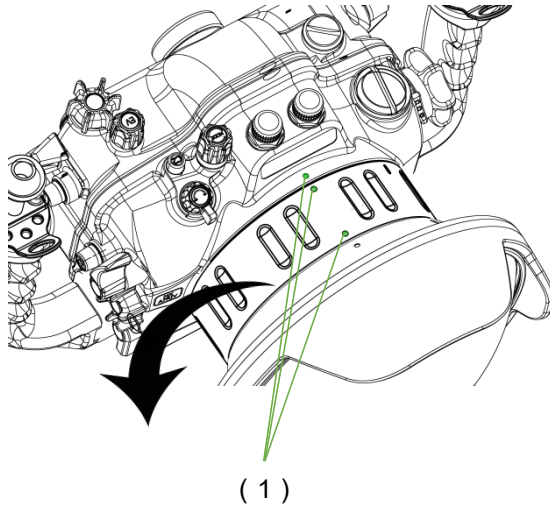
**08** Push the extension ring lock of the housing inwards till it's fully locked.



# Disassembly Extension Ring



**01** Press the button on the extension ring lock and pull the knob outwards to open the lock.



**02** Rotate the extension ring counterclockwise until the bar sign on the extension ring aligns to the dot sign of the housing. (As shown in Figure 1)

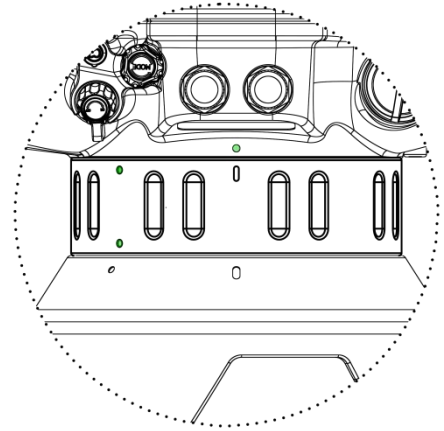


Figure 1

**03** Separate the extension ring with the dome port from the housing in the direction shown. (As shown in Figure 2)

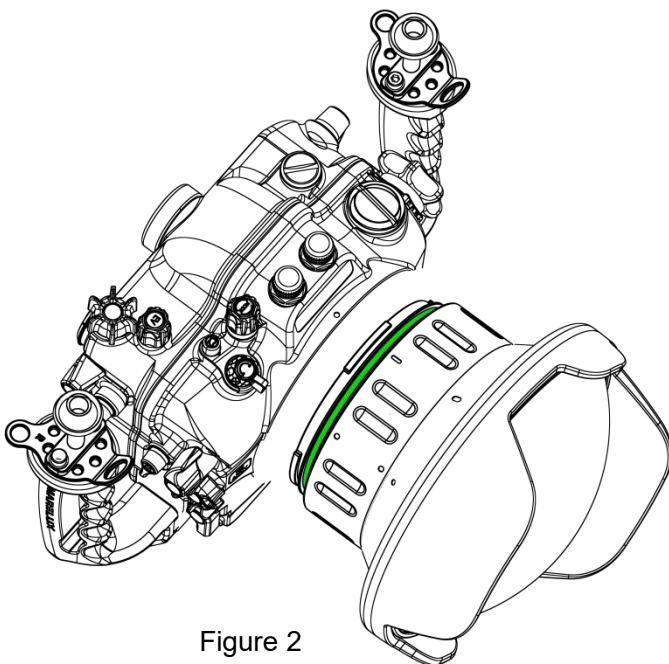
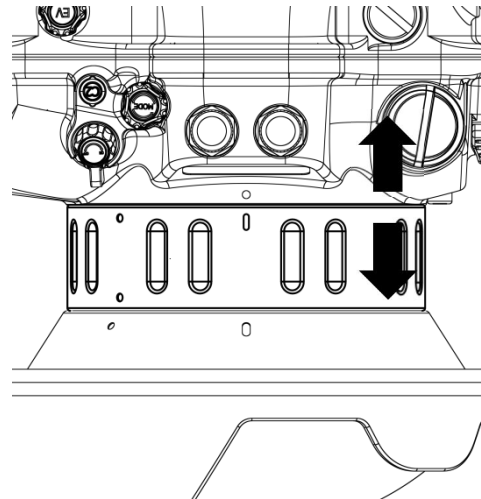
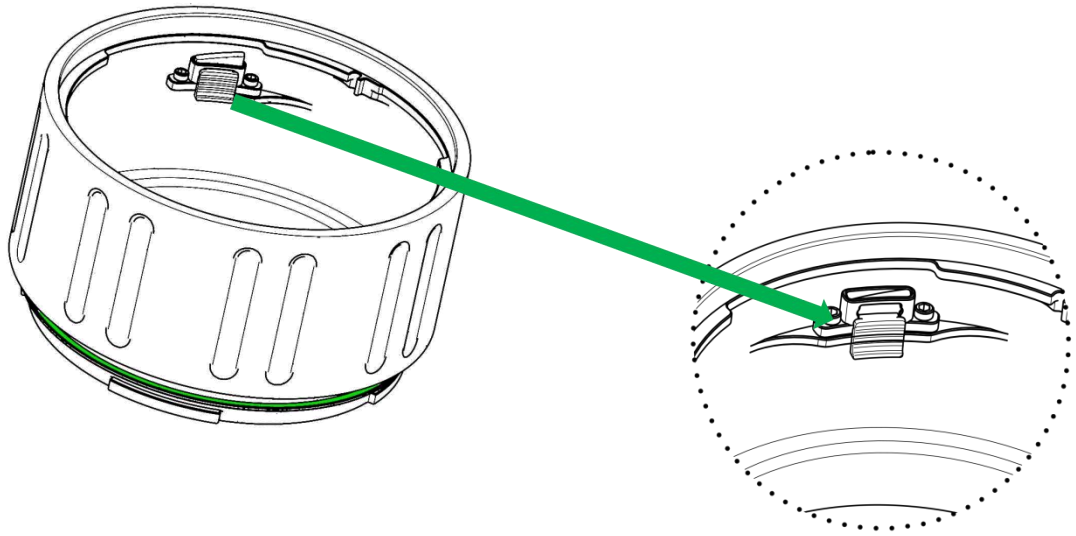


Figure 2



**04** Press down the safety lock inside the extension ring.



**05** Rotate the extension ring clockwise until the dot sign on the extension ring reached the bar sign of the dome port .  
(As shown in Figure 3)

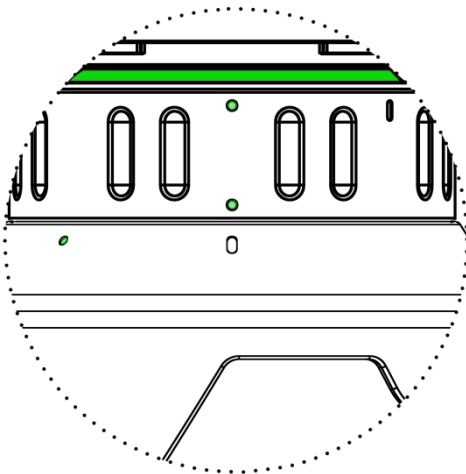
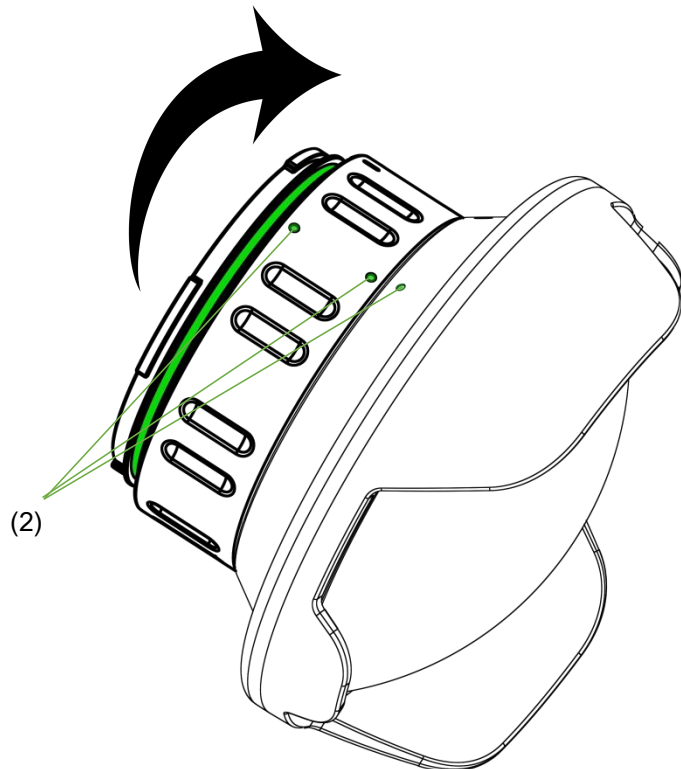


Figure 3



**06** Remove the dome port from the extension ring in the direction shown .  
(As shown in Figure 4)

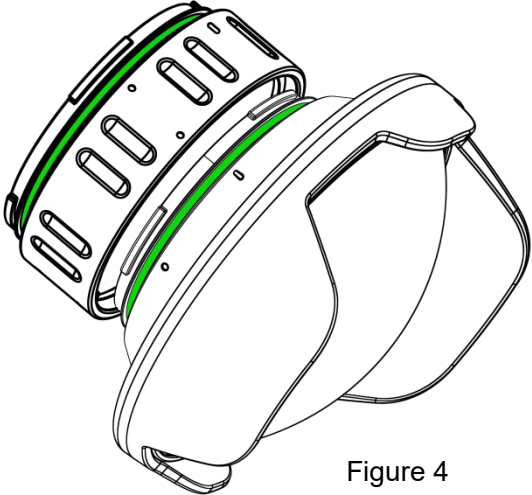
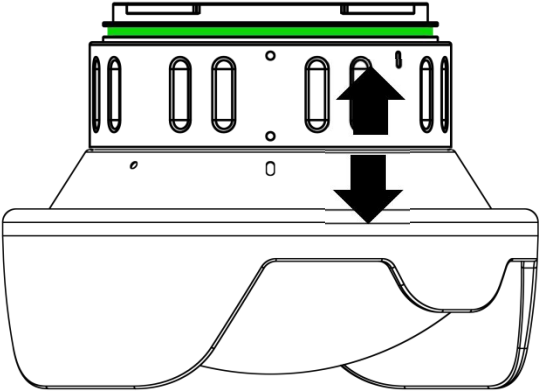
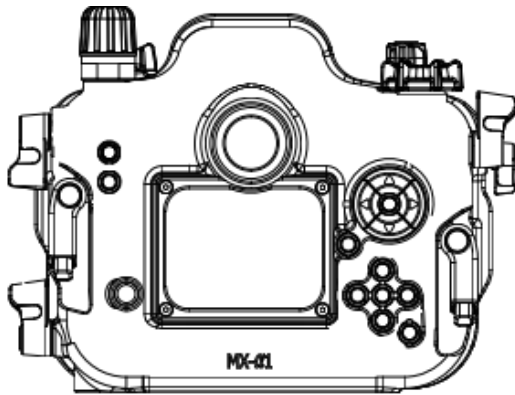
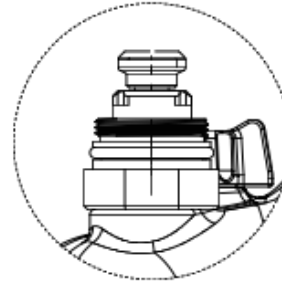


Figure 4

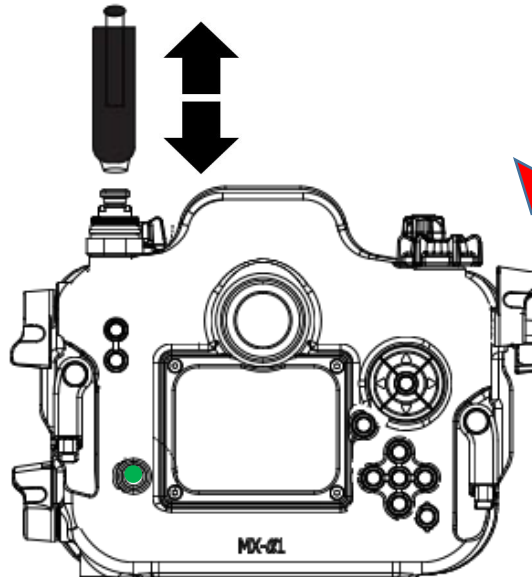
# Use Vacuum Valve



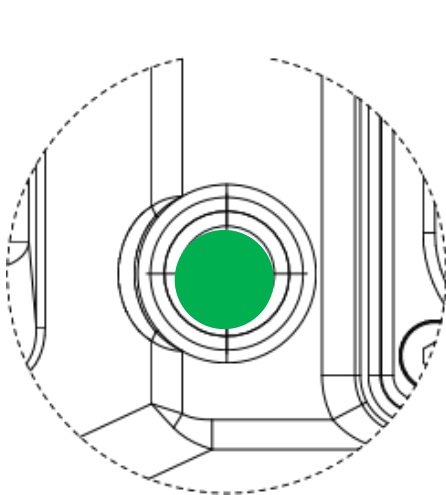
Remove the cap from the vacuum valve by turning it counter clockwise.



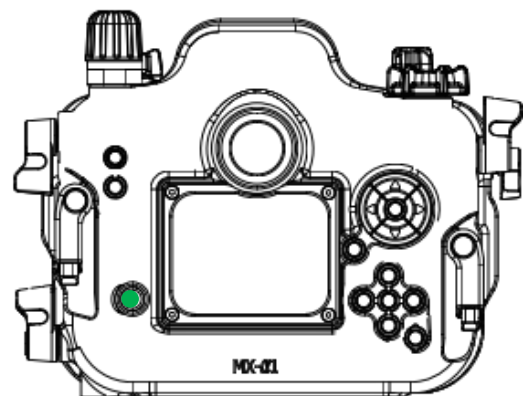
DETAIL B  
SCALE 2:1



Put the nozzle of the pump on the vacuum valve, push and pull the handle of pump to extract air out of the housing until the vacuum indicator light turns green.

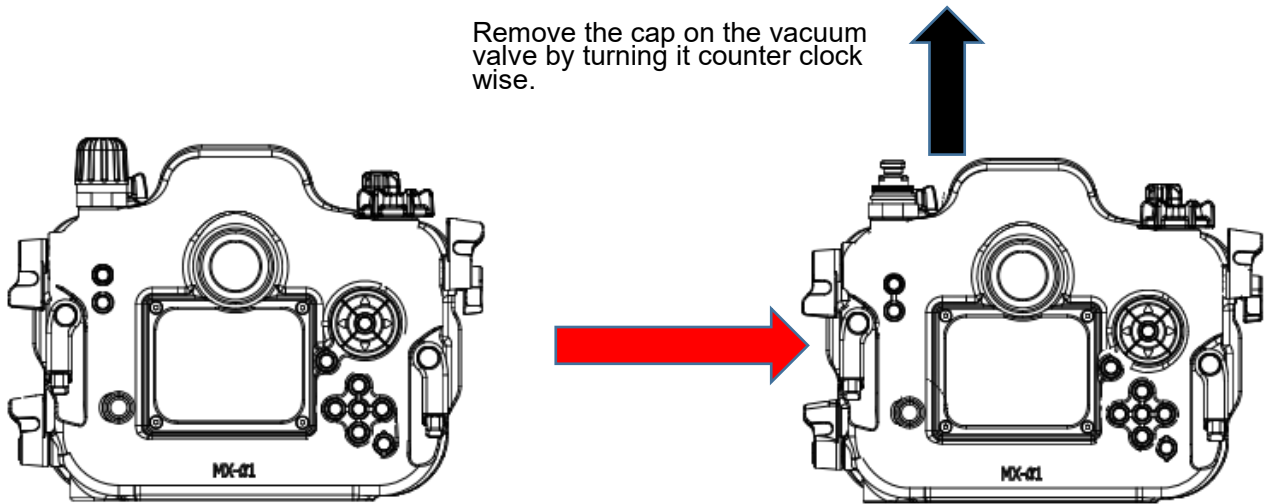


Put the cap back onto the vacuum valve by turning it clockwise till it's tight.

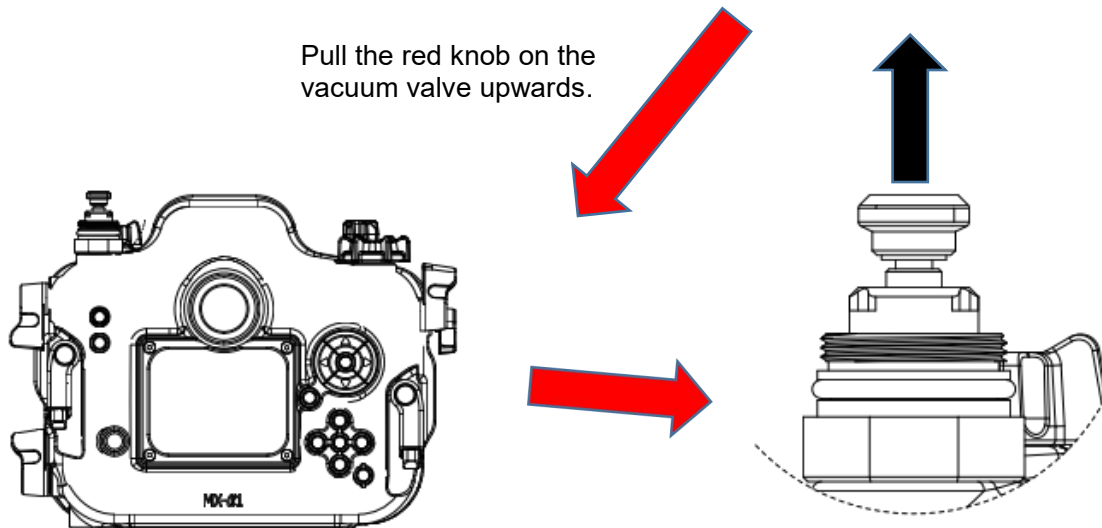


# Release Vacuum Valve

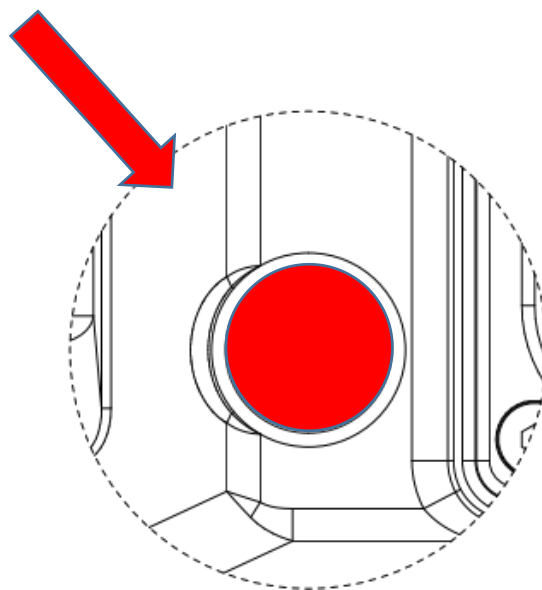
Remove the cap on the vacuum valve by turning it counter clock wise.



Pull the red knob on the vacuum valve upwards.



Till the vacuum indicator light turns red.

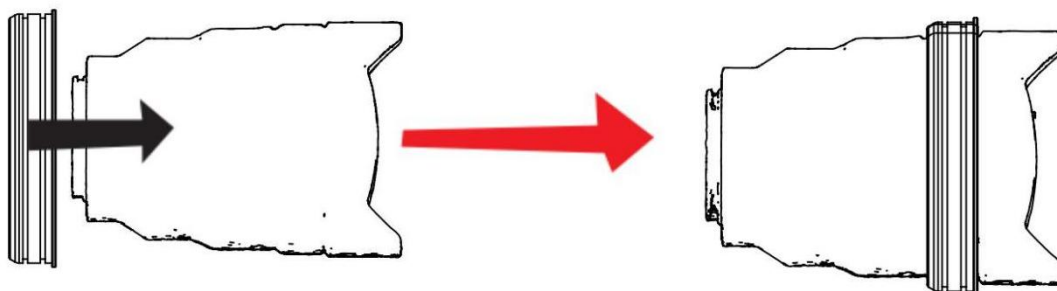
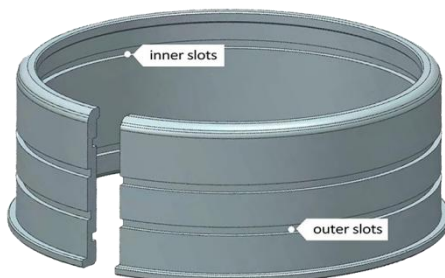




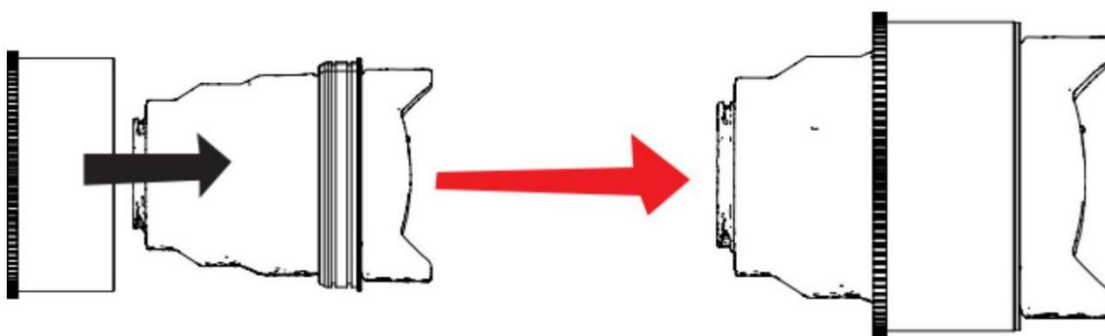
# Install Gear

## How to use the rubber bars

1. There are slots for rubber bars on both the inner and outer side of the gear ring. Put one or two small rubber bars into each slot.
2. Adjust it till the contact between the lens and ring is neither too tight nor too loose.

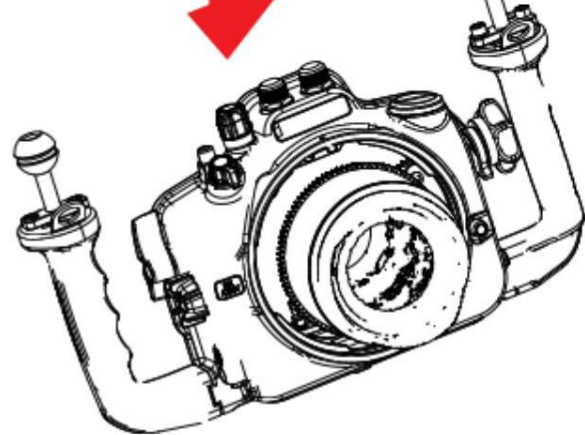
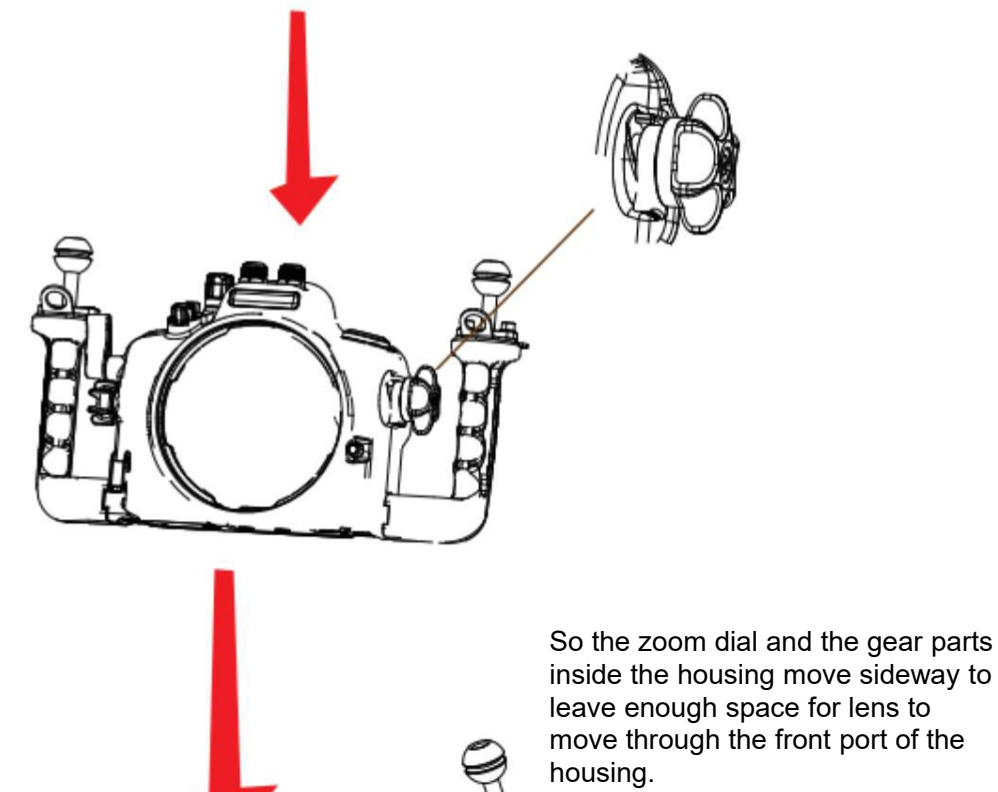
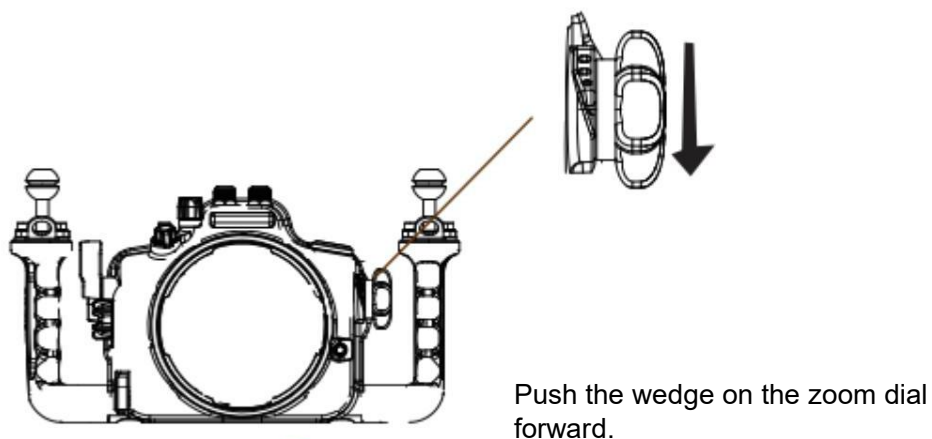


Put the plastic inner ring onto the lens first.

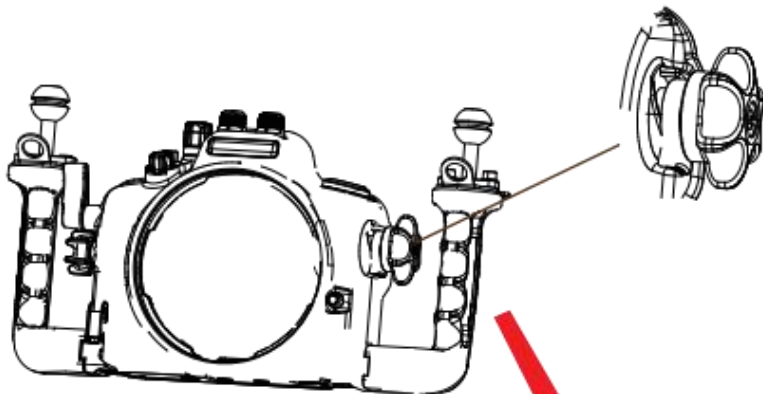


Then push the aluminum outer ring onto the inner ring till it's tight.

# Install Lens

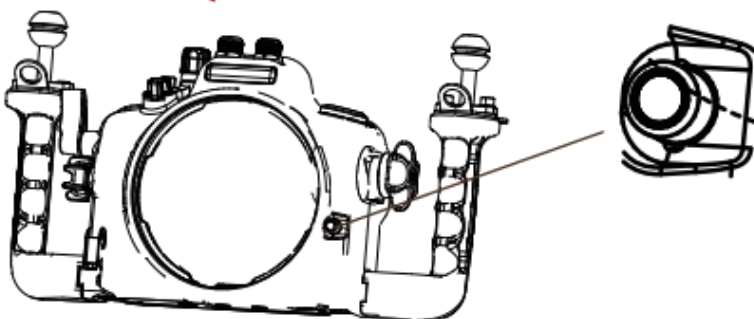


# Remove Lens

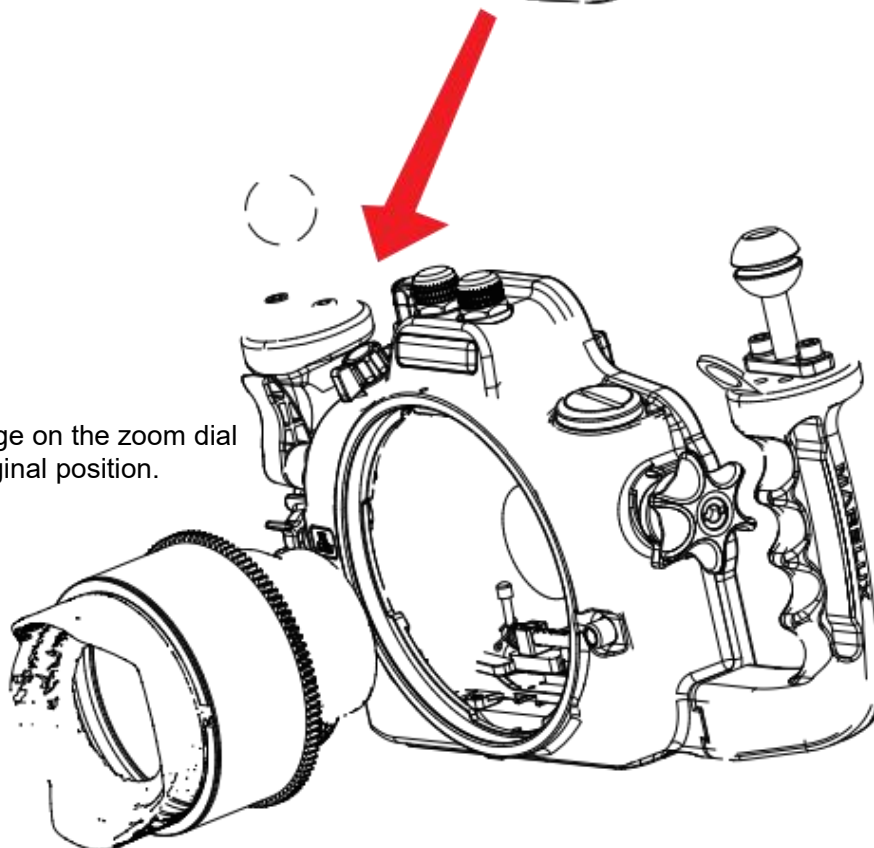


Push the wedge on the zoom dial forward.

Press the lens release button and turn the lens to release it from the camera.



Push the wedge on the zoom dial back to its original position.



# Maintenance And Storage

1. After diving, make sure housing is locked and sealed, wash the housing body with fresh water.
2. When immersed with fresh water, push each button few times, thus can help to let salt and sand go out.
3. Use a soft cloth to wipe and clean the glass on the dome or macro port.
4. After each dive, clean the O-rings and check if there are damages on the O-rings.
5. Use sturdy and shock-proof case to carry the housing and its accessories, don't put camera or lens inside the housing during travel and transportation
6. Don't leave the housing for too long inside vehicle under exposure to sunlight or heat.
7. If don't use the housing for long period, remove the batteries from flash trigger and leaking alarm.

# Warranty

1. Marelux provides 2 years warranty for its housing body, cable (such as fiber cable and HDMI cable), and 1 year warranty for electronic parts and components made of silicon, rubber and plastic.
2. Marelux will keep components and parts for repair and maintenance in storage for 5 years after EOL of each model. Beyond this period, Marelux may not be able to provide repair service for those products.
3. Repair caused by following reasons will still be charged by marelux even during the 2 years warranty.
  - Damage from misuse, incorrect maintenance or storage not complying with the specifications and notices in this users' manual ;
  - Damage from falling or inappropriate placement of the product ;
  - Damage caused by repair, maintenance, dismantlement, modification or cleaning by any unauthorized vendor or service center by Marelux ;
  - Product without authentic Marelux serial number, or with erased, distorted or falsified serial number ;
  - Damage caused by usage of non Marelux recommended accessories, parts, components from other makers or suppliers, such as Flash Trigger, Cable, Dome Port, Extension Ring, Convert or and etc ;
  - Damage caused by misuse or mistreatment by human, or by natural disaster or other situations of force majeure ;
  - Malfunction or damage caused by erosion due to not cleaning the housing or accessories ;
4. Batteries, lubricants and other consumable supplies are not in warranty.
5. All parts and components replaced from the housing and its accessories in the warranty service should belong to Marelux.
6. Marelux is not responsible for and will not compensate any collateral damages or financial losses caused by using Marelux products, such as income or fees related to the users of Marelux products.
  - Warranty is only provided to products sold inside the service territory of the distributor or reseller.
  - Products purchased and used for rental business are not included in warranty.
  - Products will lose warranty immediately after unauthorized repair or modification.
  - The warranty terms above are made for Marelux customers to conduct free warranty service and repair, and have no restriction to any legal rights that customers shall possess.