

INSTRUCTION MANUAL

For Nauticam Cinema Gear Set for Canon RF 15-30mm F4.5-6.3 IS STM

PN# 16345

FORWARD

Thank you for your purchase of a NAUTICAM product.

At NAUTICAM, we pride ourselves in the ability to recognize the requirements of professional as well as amateur underwater photographers and fulfill them through the innovative designs of our products. We strive to achieve a high level of user-friendliness by allowing stress-free installation and easy operation of all important functions of the camera.

Each product is individually inspected and water pressure tested to ensure optimum quality.

Please read this manual carefully before using the product, this will maximize its performance as well as its lifetime.

WARRANTY

All NAUTICAM Products are warranted against any material and manufacturing defects for two years from the date of purchase for consumer use. This warranty only applies to products purchased from authorized NAUTICAM dealers and does not extend beyond the original retail purchaser.

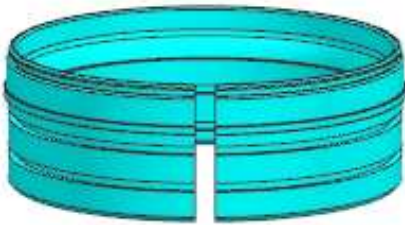
To return your product for service, please contact your regional authorized service center(s). Please note that this warranty only applies when the product is purchased in the territory where the service center is located.

NAUTICAM does not hold responsibility for damage, of any nature, to any equipment used with and/or placed within our products. NAUTICAM accepts no liability for any loss of captured images or the inability to capture images even if it is due to the malfunctioning of our products.

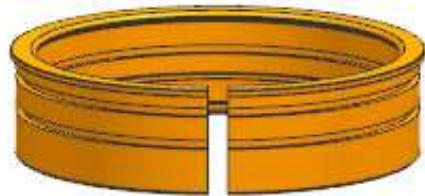
Unauthorized modifications and/or repairs of our products will automatically invalidate the warranty.

IDENTIFICATION OF PARTS

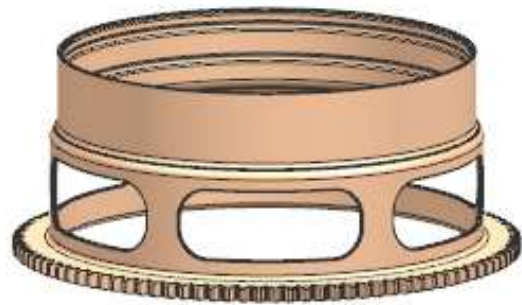
Plastic C-ring for zoom gear



Plastic C-ring for focus gear

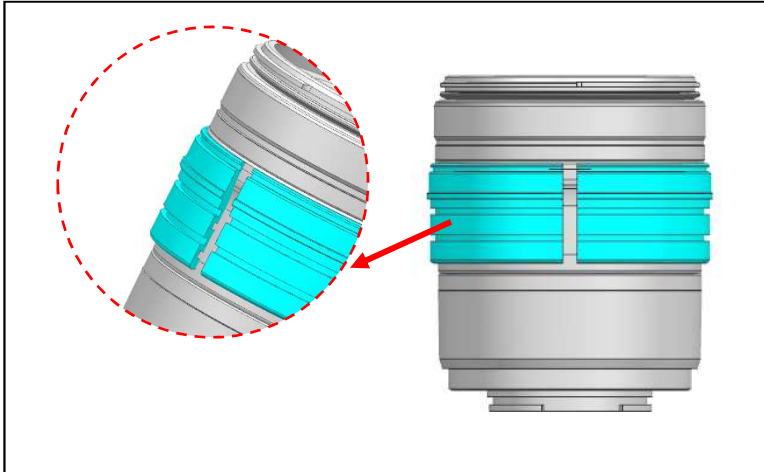


CR1530-Z Cinema Zoom Gear

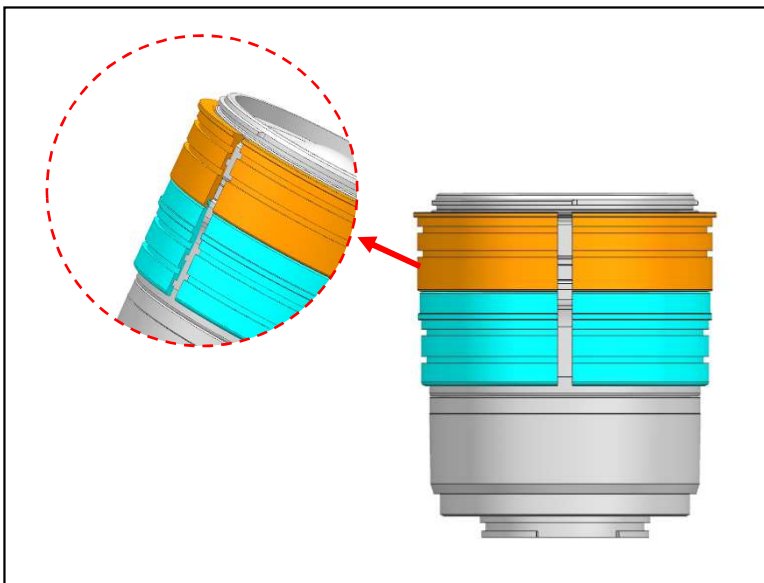


CR1530-F Cinema Focus Gear

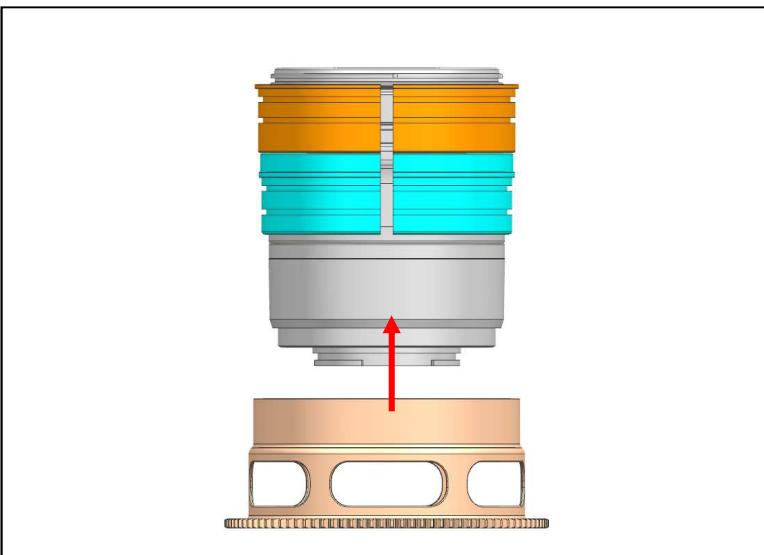
MOUNT THE GEARS ON A LENS



1. Insert the plastic C-ring for zoom gear as shown and place it over the lens.

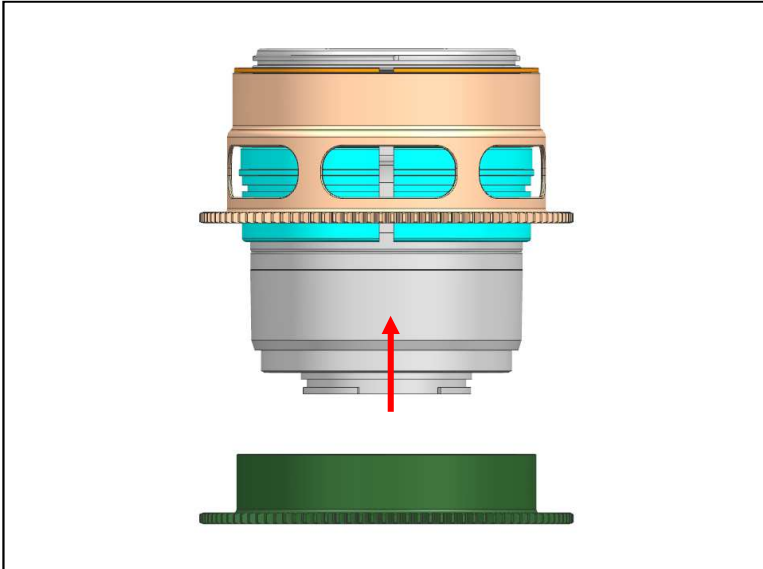


2. Insert the plastic C-ring for focus gear as shown and place it over the lens and plastic C-ring for zoom gear.

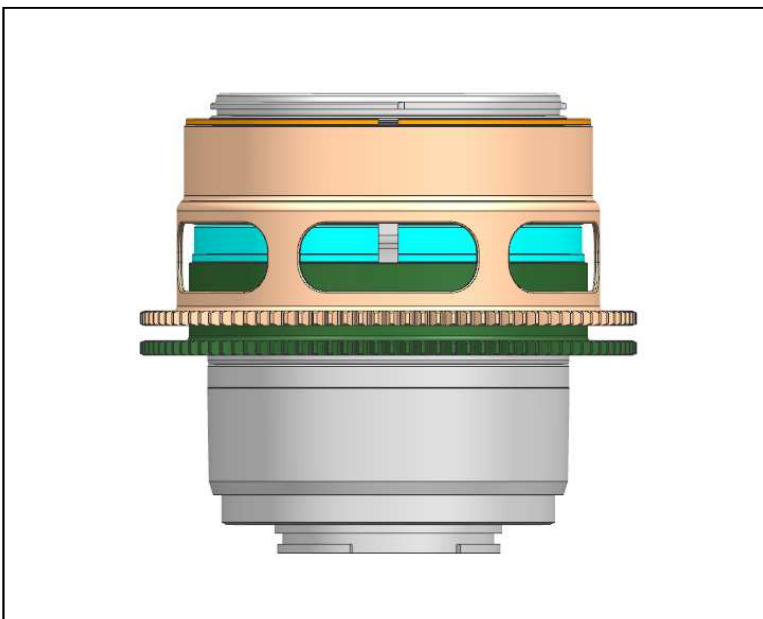


3. Insert the focus gear on a plastic C-ring for the focus gear until it reaches the flange of the plastic C-ring.

MOUNT THE GEARS ON A LENS



4. Insert the zoom gear on a plastic C-ring for the zoom gear until it reaches the flange of the plastic C-ring.

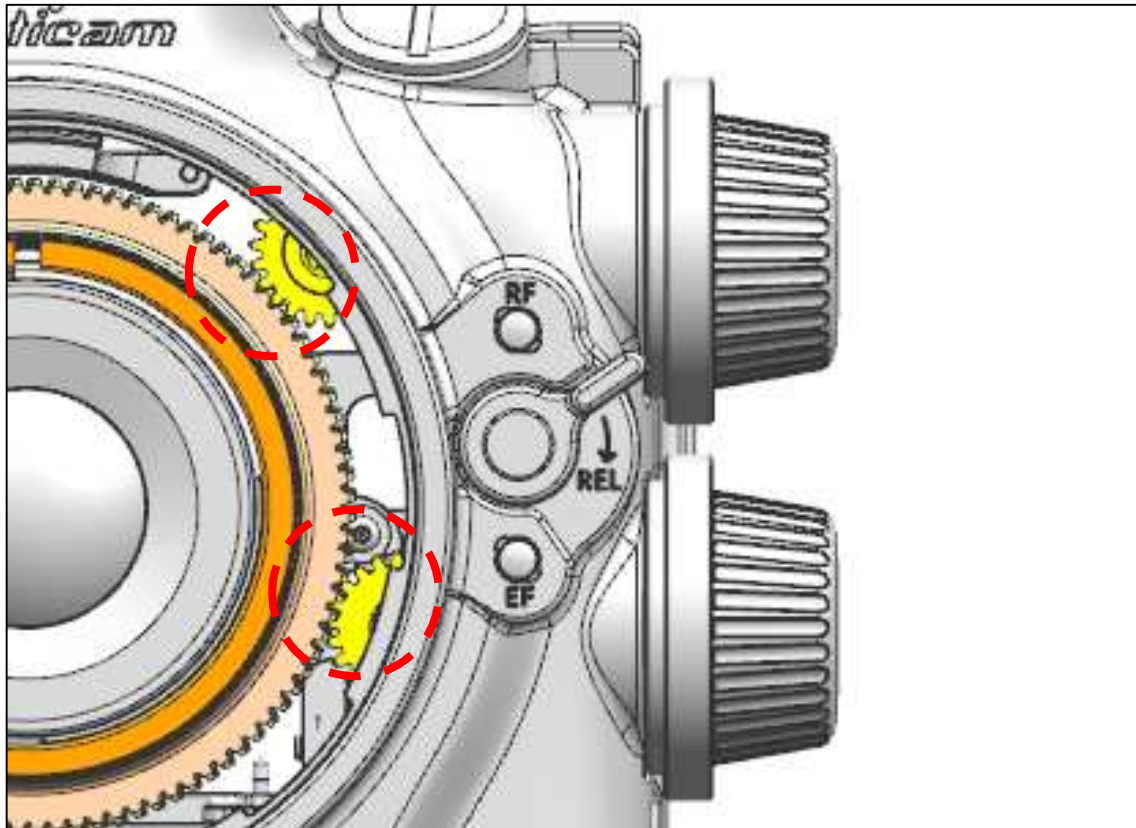


5. To remove the Cinema Gear Set for Canon RF 15-30mm F4.5-6.3 IS STM, reverse the above steps.

The tightness between the Cinema Gear Set for Canon RF 15-30mm F4.5-6.3 IS STM and the lens can be adjusted by removing or adding rubber grips on either sides of the plastic C-ring, spare rubber grips are included in the package.



CONTROL THE GEAR



1. The Cinema Gear Set for Canon RF 15-30mm F4.5-6.3 IS STM can be controlled by zoom/focus knobs of the housing.

After mount the camera and lens (with gear installed) on the housing, confirm that the zoom/focus knobs operates correctly.

SPECIFICATIONS

#16345 Nauticam Cinema Gear Set for Canon RF 15-30mm F4.5-6.3 IS STM

Dimensions: Zoom gear : DIA102mm × 19.0mm
Focus gear : DIA102mm × 41.0mm

Type: Zoom and focus gears

Compatible lens: Canon RF 15-30mm F4.5-6.3 IS STM

Remark:

Nauticam supports only e-manuals. Please download corresponding product manuals on google drive <https://bit.ly/Nauticammanual>, or contact us for e-manuals.