

NA - XT5

For Fujifilm X-T5 Camera

PN 17159

User Manual
Housing
MIL

Introduction	2
Package Contents	2
Important Instructions	3
Part Names and Functions	4
Housing Mount	7
Opening the housing	8
Closing the housing	9
Preparation for Use	10
Optional Accessories	16
Care/Storage	19
Warranty	20
Specifications	21

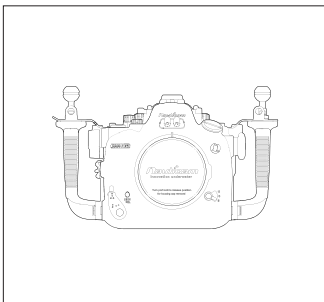
INTRODUCTION

Thank you for purchasing this Nauticam product.

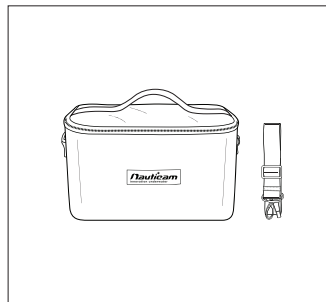
Before using the product, please read this manual thoroughly to familiarize yourself with full scope of functions on the product as well as ensuring that you will use the product correctly.

PACKAGE CONTENTS

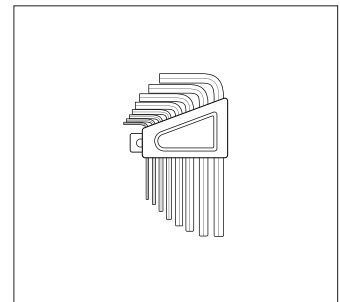
Make sure that you have all the included items listed below before using this product. If some items are missing or damaged, contact your local Nauticam dealer.



NA-XT5
(2 x Handles with Mounting Balls, 1 x Housing Cap, 2 x Optical Fiber Mount Caps, 2 x Stainless Steel Handle Brackets)



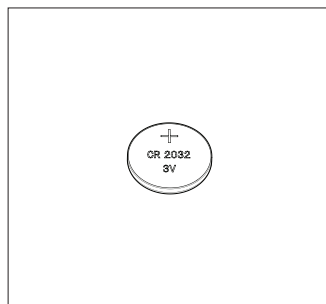
Padded Travel Case



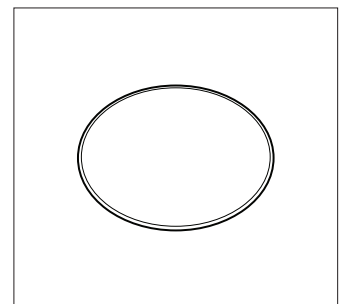
Allen key set



Lubricant

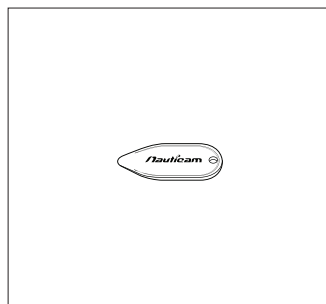


Panasonic CR2032 Battery
(pre-installed for Moisture Alarm)

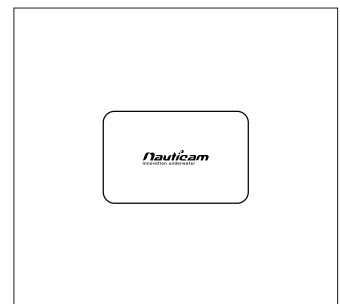


Spare Main O-ring

After purchase, we suggest that you reuse all packaging materials for future travelling.



O-ring Remover



Manual Instruction Card

IMPORTANT INSTRUCTIONS

1

Water-tight test of the housing (without camera inside) before usage is recommended as well as any O-ring renewal and port change.

2

Do not seal the housing when travelling by air as this may lead to a pressure difference between the atmosphere and inside the housing.

3

Only the accessories specified by Nauticam must be used. Third-party accessories may result in malfunctions or damage to the product.

4

Use only Nauticam lubricant on silicone rubber O-ring.

5

Do not stretch any O-rings excessively. Only remove it using Nauticam O-ring remover.



6

Discontinue use immediately when there is a sign of leakage.

7

Do not attempt to remove parts of the housing yourself. Repairs must be done at authorized service centers only.

8

The housing should be positioned on the a stable and safe surface on land.

9

Do not expose the housing in direct sunlight for a prolonged period.

10

Do not open the housing in wet or sandy environment. Protect the housing from moisture and debris in order to prevent malfunction or leakage.

11

Prevent any sand or dust or water penetration inside the housing. Be extra careful when changing lens and inserting or removing the camera.

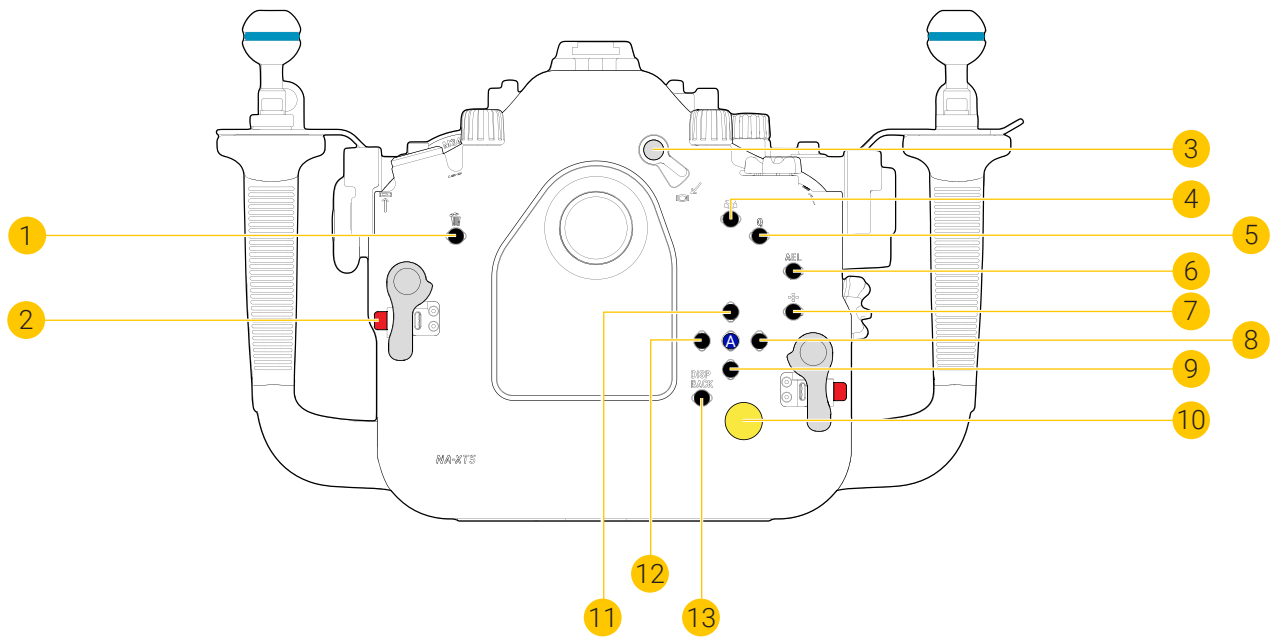


12

This product is not intended for use by children, or persons with reduced physical, sensory or mental capabilities, or lack of experience and knowledge, unless they are supervised and/or given instruction by a responsible person concerning use of the product to ensure that they can use it safely.

PART NAMES AND FUNCTIONS

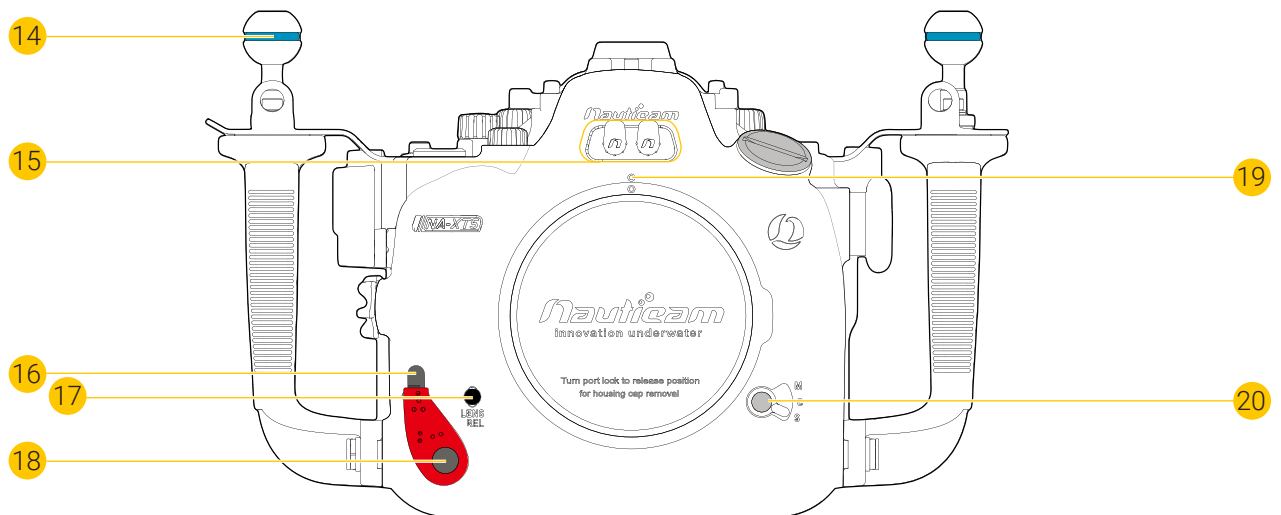
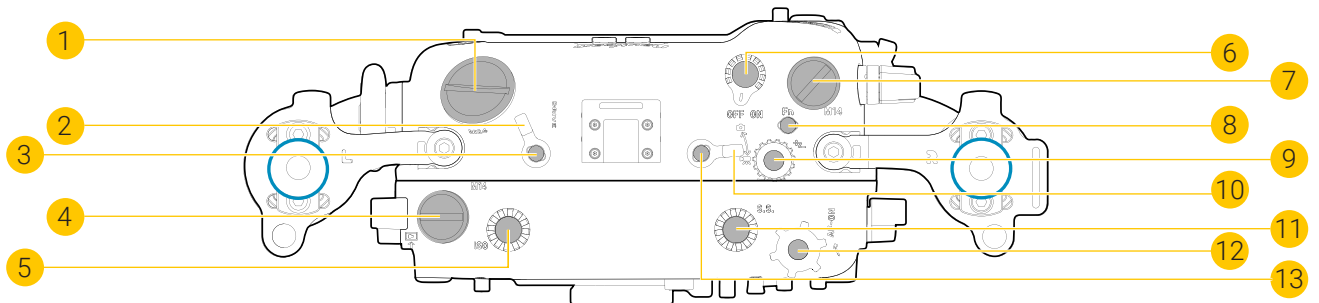
Rear View



- | | | | |
|----|----------------------|----|---------------------------|
| 1 | Delete button | 2 | Housing unlock button |
| 3 | LCD/viewfinder lever | 4 | Rear dial function button |
| 5 | Quick menu button | 6 | Exposure lock button |
| 7 | Focus select button | 8 | Right button |
| 9 | Down button | 10 | Moisture alarm window |
| 11 | Up button | 12 | Left button |
| 13 | Display back button | A | Menu/OK button |

PART NAMES AND FUNCTIONS

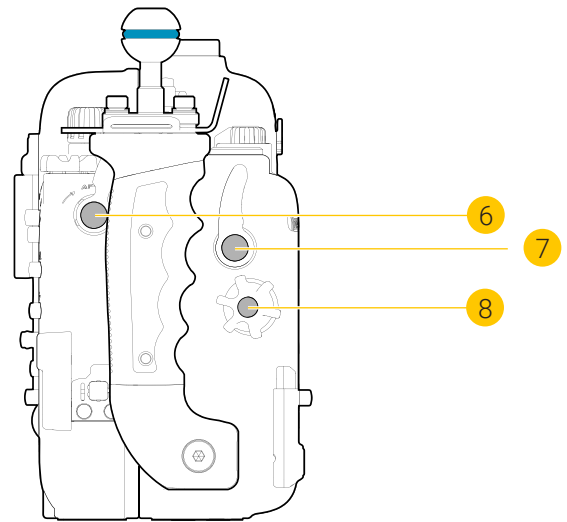
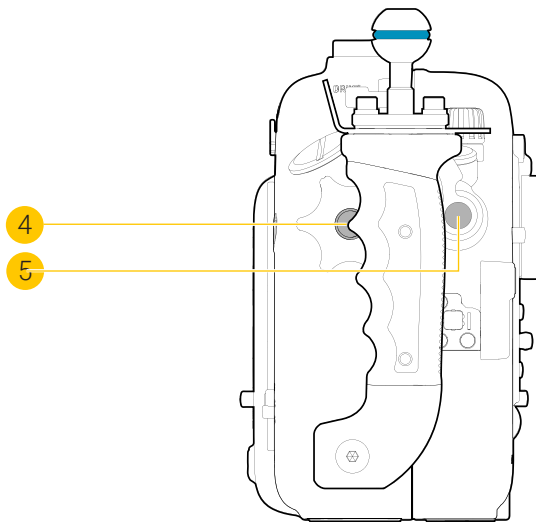
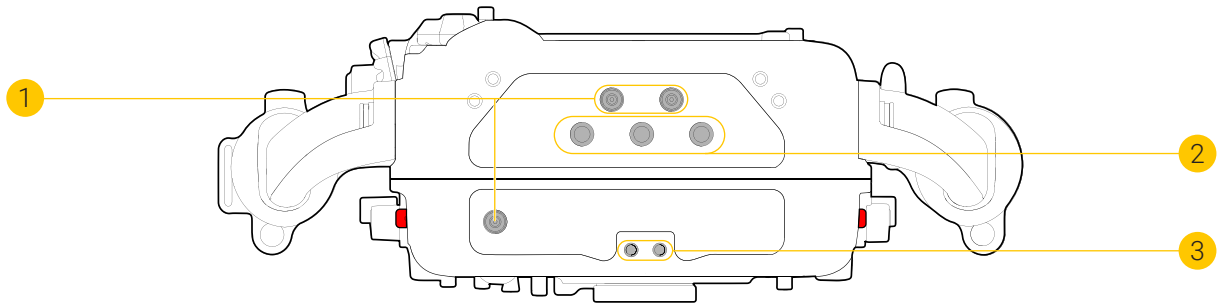
Top + Front Views



- | | | | |
|----|-----------------------------------|----|-------------------------|
| 1 | M24 Accessory port | 2 | Drive lever |
| 3 | ISO lock release button | 4 | M14 Accessory port |
| 5 | ISO dial | 6 | Main switch |
| 7 | M14 Accessory port | 8 | Fn button |
| 9 | Exposure compensation dial | 10 | STILL/MOVIE mode lever |
| 11 | Shutter speed dial | 12 | Rear command dial |
| 13 | Shutter speed lock release button | 14 | Accessory mounting ball |
| 15 | Optical fiber mount | 16 | Port lock safety button |
| 17 | Lens release button | 18 | Port locking lever |
| 19 | Port index mark | 20 | Focus mode selector |

PART NAMES AND FUNCTIONS

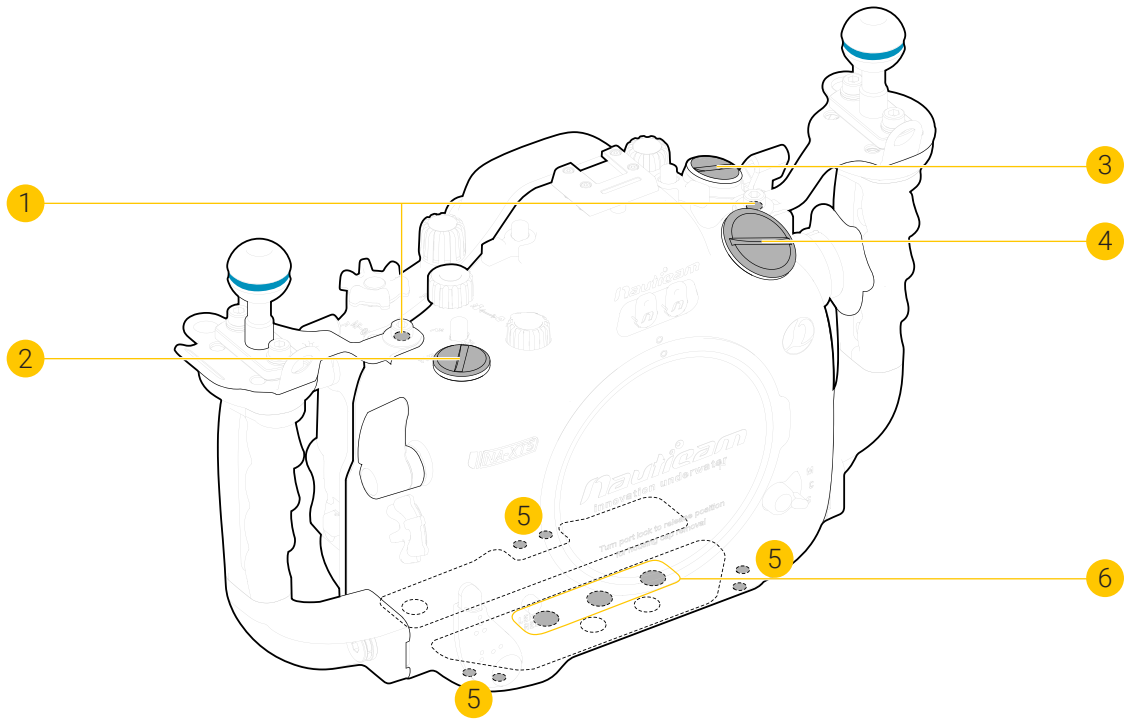
Back + Side Views



- 1 Sacrificial zinc anodes
- 3 M5 Threaded holes
- 5 Playback lever
- 7 Shutter release lever

- 2 1/4" Threaded tripod holes
- 4 Zoom/Focus dial
- 6 AF-ON lever
- 8 Front command dial

HOUSING MOUNT



Housing mount

- 1 M5 Accessory port
- 2 3 M14 Accessory port
- 4 M24 Accessory port
- 5 M5 Threaded holes
- 6 1/4" -20 mounting threads

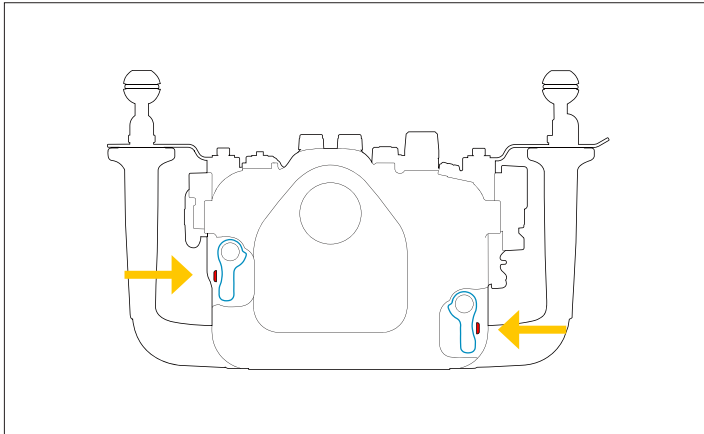
Compatible accessories

- 25228 M5 Strobe mounting ball
- 25624 M14 Vacuum valve II (pushbutton release)
- 25086 M24 Adaptor for HDMI 2.0 cable
- 25077 M24D1R205-M28A1R170 HDMI 2.0 cable
- 25218 Mounting ball set for tripod legs
- 17954 Universal tripod plate
- 17960 Universal Quadra-Pod Plate for Nauticam Housings

OPENING THE HOUSING

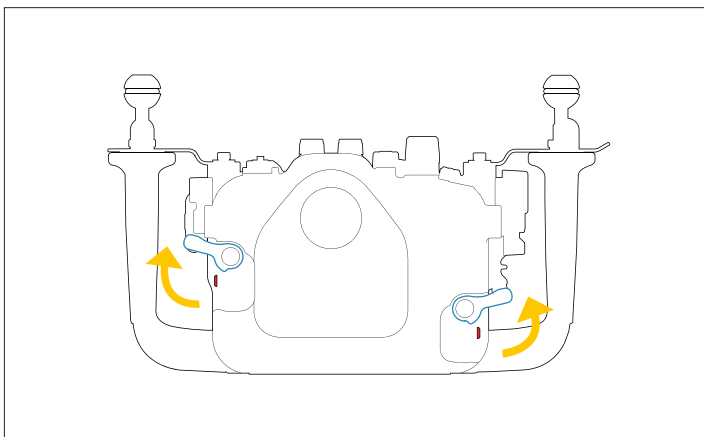
* drawings as illustrations only

1



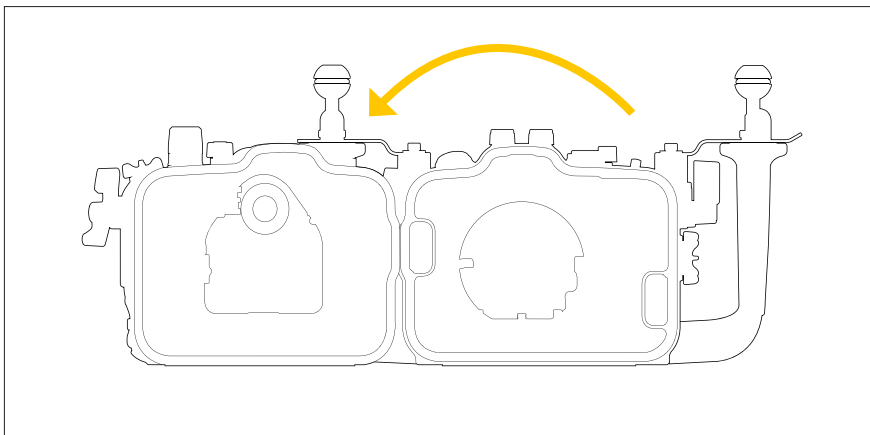
depress housing unlock button

2



turn housing lock outward

3

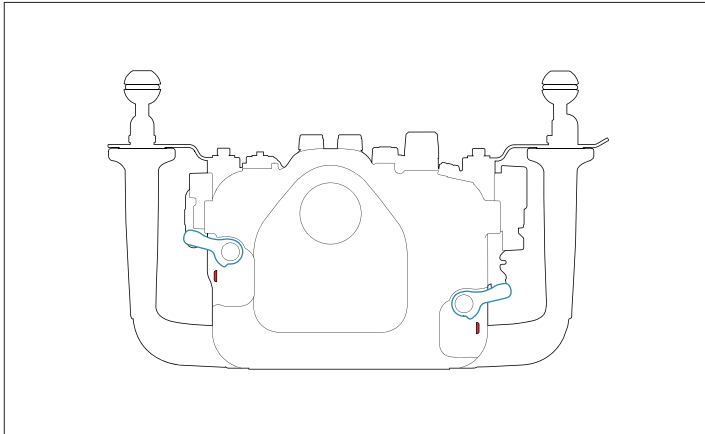


lift up the back housing

CLOSING THE HOUSING

* drawings as illustrations only

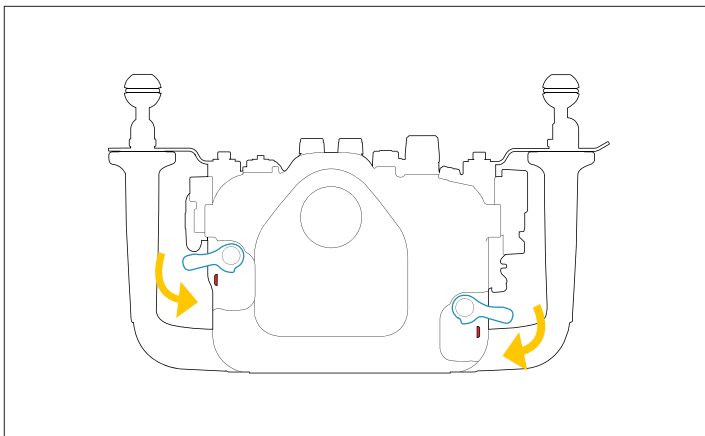
1



before closing the housing, clean and lubricate the main O-ring

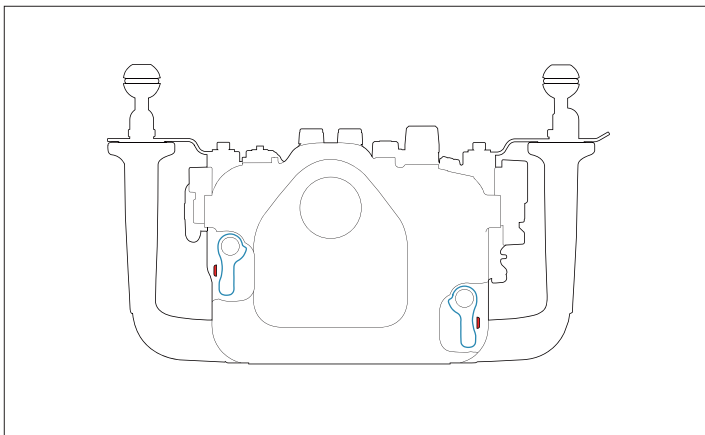
make sure nothing is caught between front and back housing and that they are fully aligned before locking

2



turn housing lock inward until you hear and feel it click into place

3



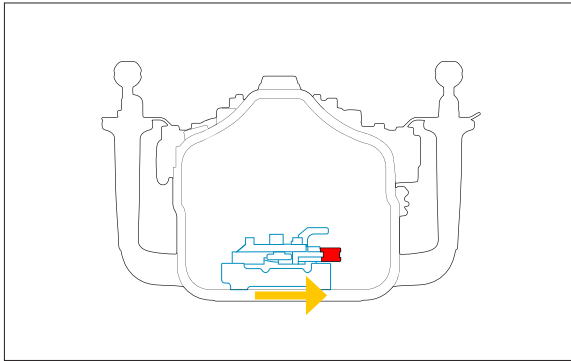
housing locked in place securely

PREPARATION FOR USE

* drawings as illustrations only

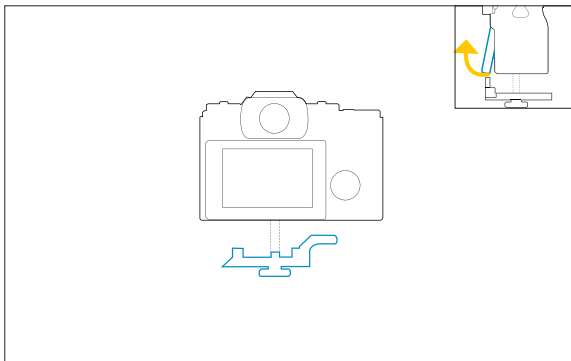
Installing the Camera - housing tray attachment

1



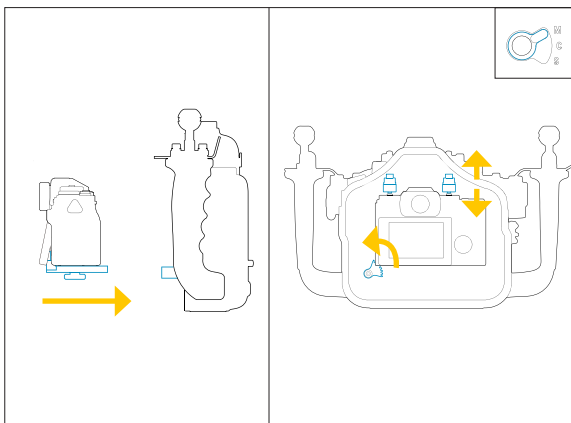
unlock camera tray lever and remove the tray from the housing

2



attach the camera tray by tightening the tray screw into the tripod socket of the camera

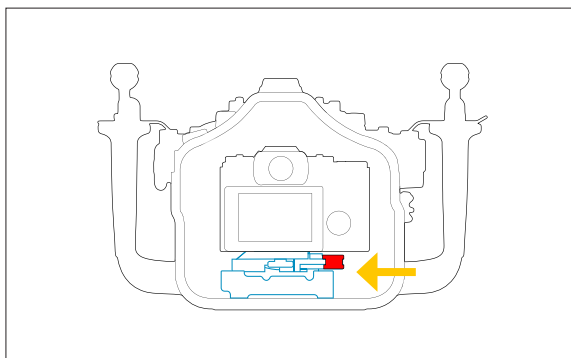
3



** lift up the Drive lever & Still/movie mode lever each time before installing the camera and make sure the ON/ LOCK/OFF lever is aligned with camera control before sliding the camera into the housing*
** turn the blue Focus mode coupler clockwise*
** pull out the zoom/focus knob if installing the camera with lens and gear attached*

slide the camera tray back into the housing along the tray rail

4



lock camera tray

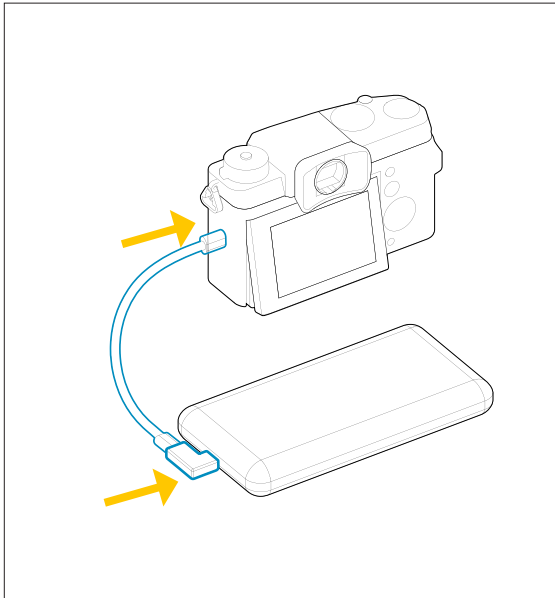
** gently push the Drive lever & Still/movie mode lever downwards and make sure they are engaged with the lever on the camera*
** turn the blue Focus mode coupler back in place*
** place the zoom/focus knob in place and make sure it is engaged with lens gear*

PREPARATION FOR USE

* drawings as illustrations only

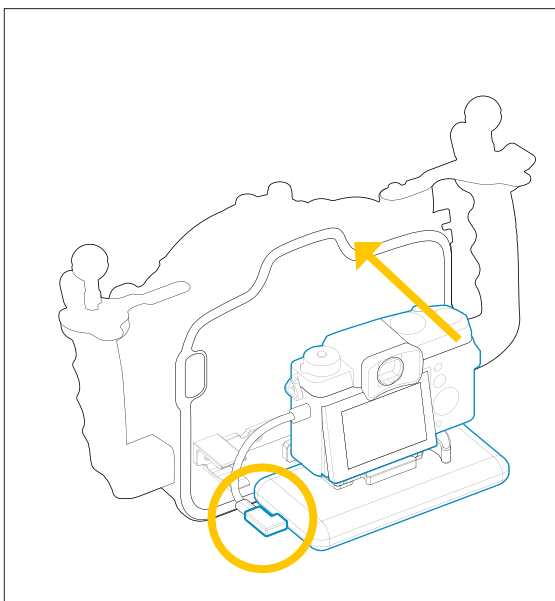
Installing external battery power bank

1



connect the external power bank via a right-angled USB-C cable

2



slide the camera tray back into the housing along the tray rail and place the power bank into the battery holder under the camera as shown

then lock camera tray

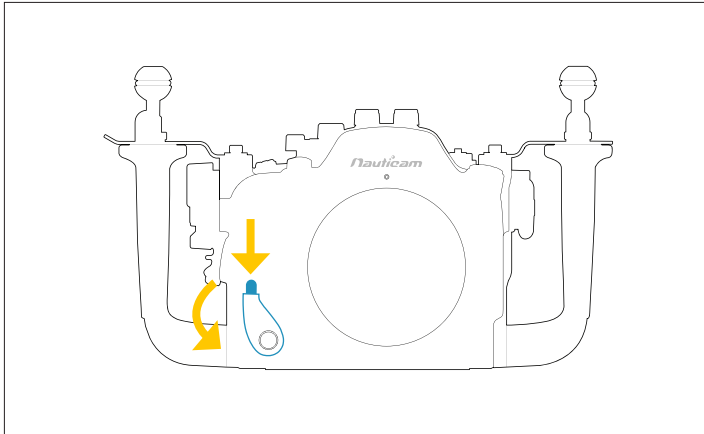
* please refer to page 24 for external battery specification

PREPARATION FOR USE

* drawings as illustrations only

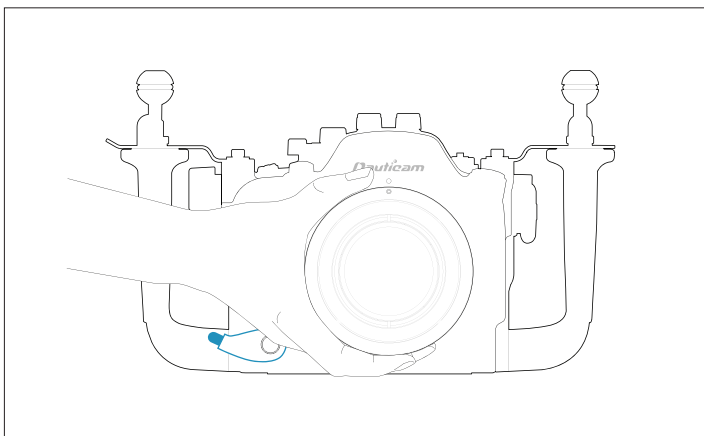
Port Mounting

1



depress safety button and rotate anti-clockwise

2

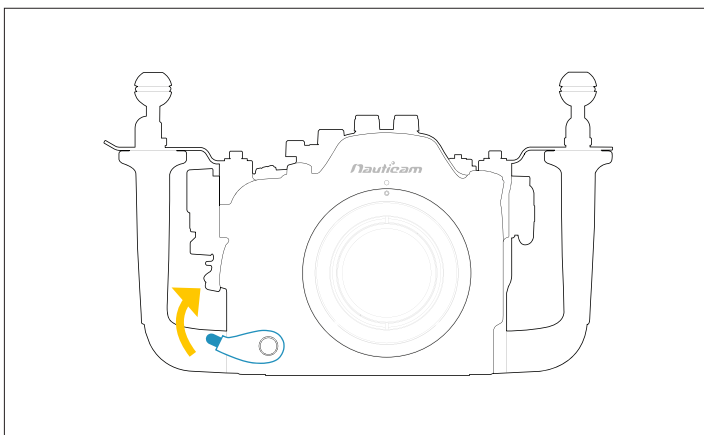


lubricant the port O-ring before mounting

align index mark

push port assembly straight in

3

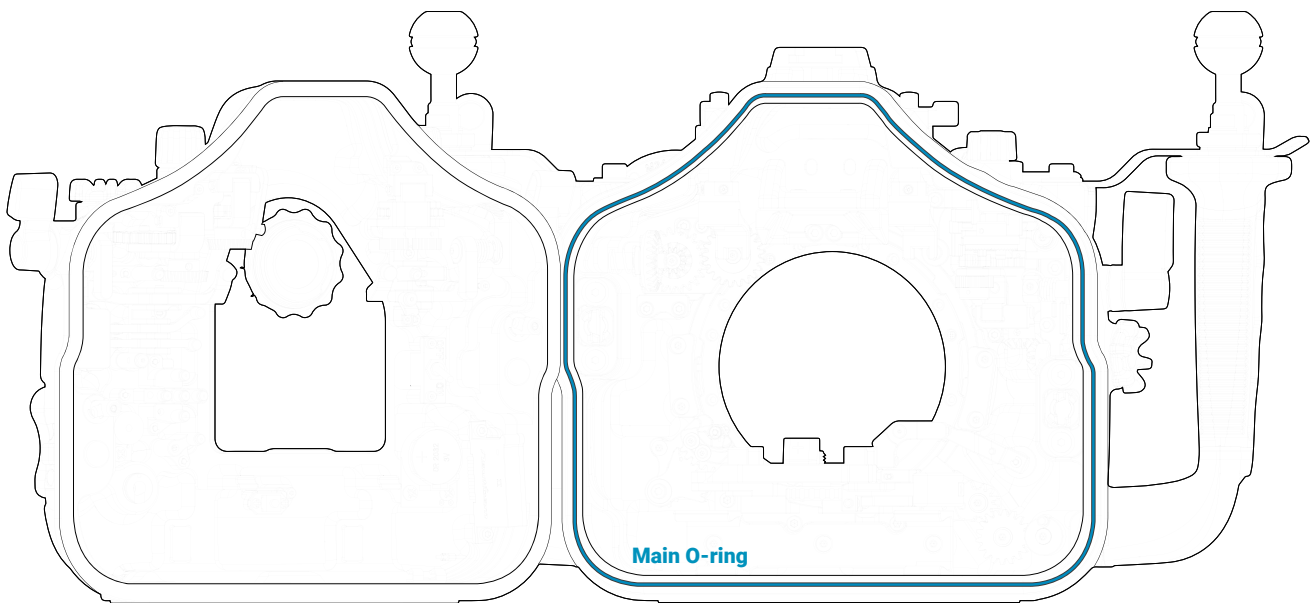


rotate locking lever clockwise to lock

PREPARATION FOR USE

* drawings as illustrations only

Coating housing O-ring

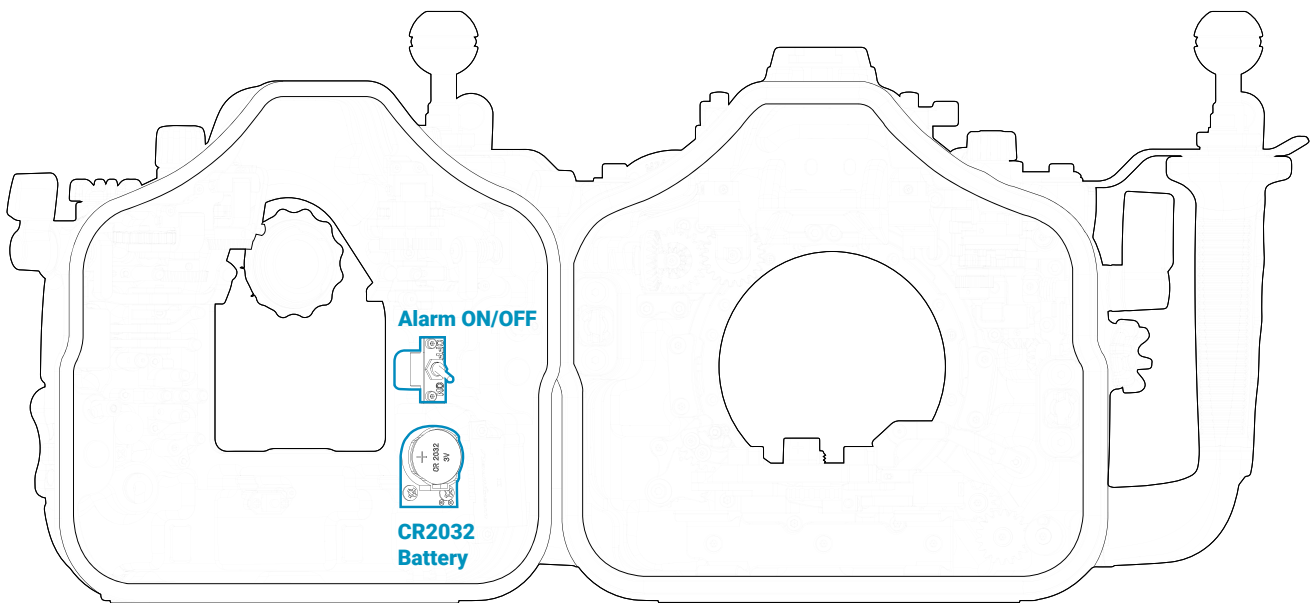


- 1
remove the main O-ring using an O-ring remover
- 2
clean the O-ring groove with a cloth and ensure that it is free from salt or other foreign materials
- 3
lightly coat it with provided lubricant
- 4
return the main O-ring by slowly pressing from one corner to the whole perimeter

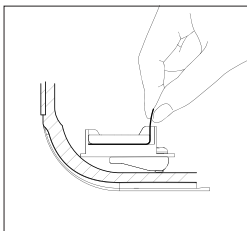
PREPARATION FOR USE

* drawings as illustrations only

Setting up moisture alarm

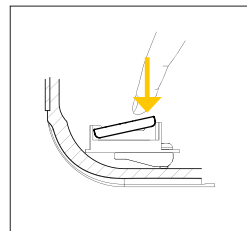


1



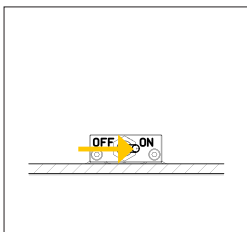
remove battery insulation film

2



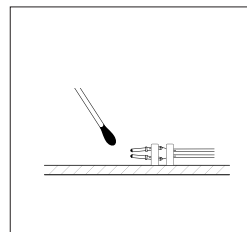
press the battery down until it click into place

3



switch on the alarm
- the moisture alarm window will flash in **BLUE** when it is working correctly

4



test the alarm
- connect the wires with a dampened cotton bud; the alarm will give a repeating 'beep' and the moisture alarm window will flash **RED**

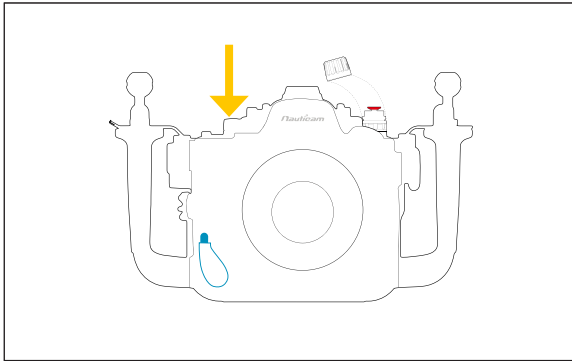
* please contact our authorized service centers if testing fails
* please refer to page 16 for complete vacuum system guidance

PREPARATION FOR USE

* drawings as illustrations only

Changing lens/port without opening the housing

1

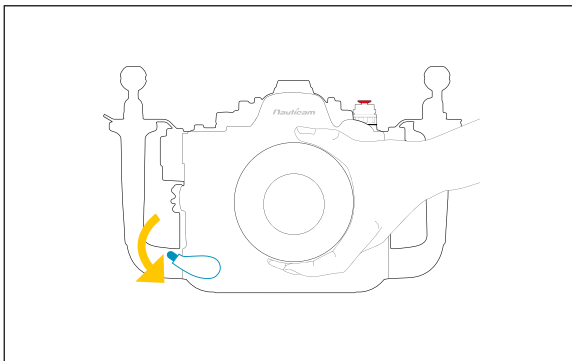


If using with vacuum valve :

remove the cap from the vacuum valve and press the red button to release pressure before unlocking port lock

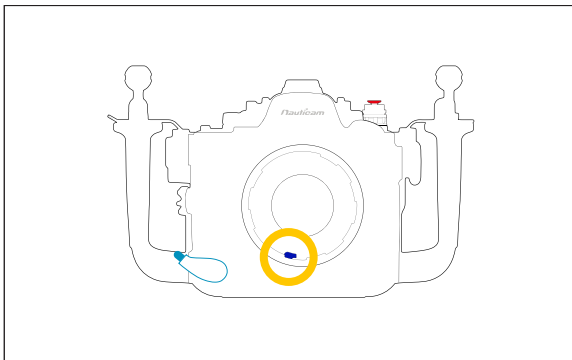
If using without vacuum valve, please follow from step 2

2



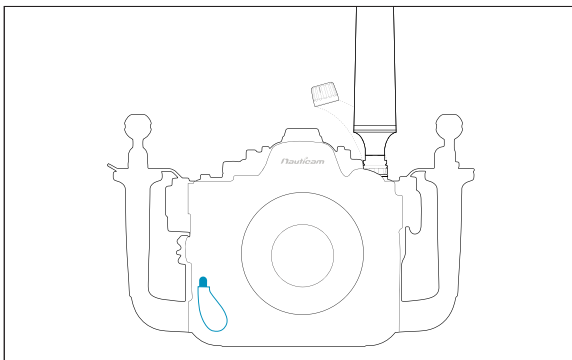
unlock port lock and remove port assembly

3



press the blue button to reset vacuum alarm before replacing port

4



reset vacuum valve system using hand pump then close the cap

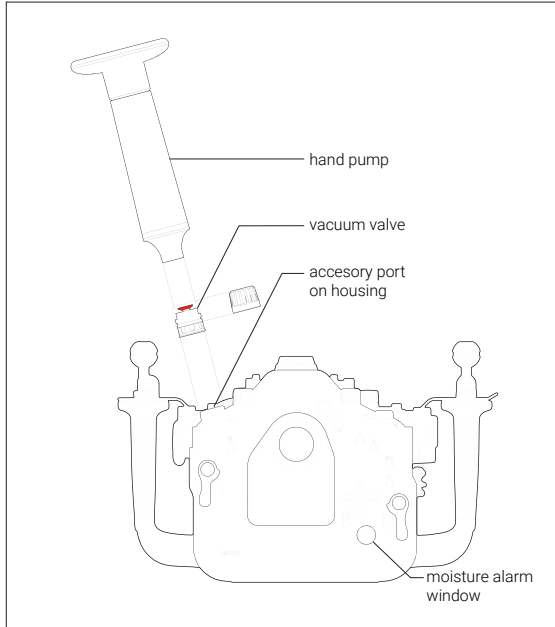
* please refer to page 16 on complete vacuum system guidance

OPTIONAL ACCESSORIES

* drawings as illustrations only

Vacuum valve system

1

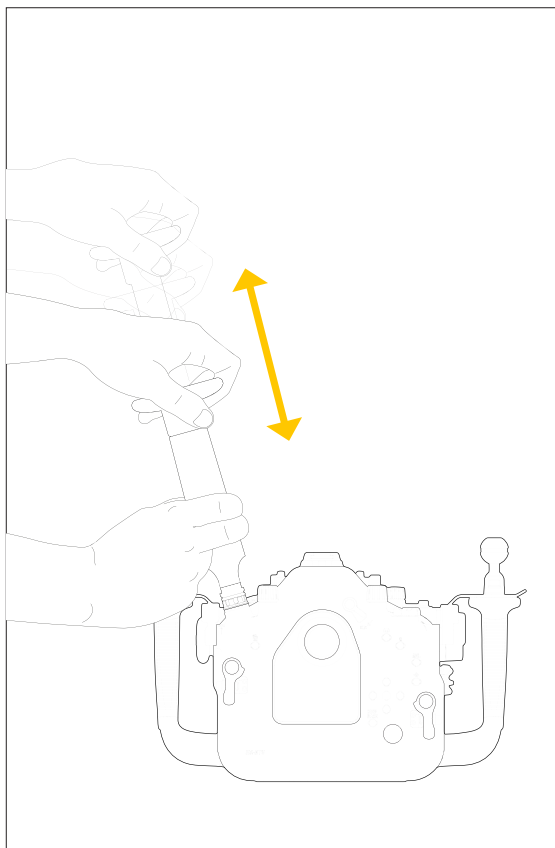


remove the plug of M14 accessory port from the housing

remove the cap from the vacuum valve

slightly lubricate the o-ring and tighten the vacuum valve to the housing with the tool provided

2



connect hand pump to the valve and pump several times until it reaches the target vacuum level

close vacuum valve cap

Moisture alarm window colour indication :

Steady Blue		device is turned on
Flashing Blue		standby mode, ready for pumping
Steady Green		target vacuum level is reached
Flashing Yellow		vacuum level is dropping
Flashing Red		vacuum is totally lost, circuit stalled until device is switched off
Alternating Blue and Red		vacuum is totally lost, circuit stalled until device is switched off
Steady Red		out of battery

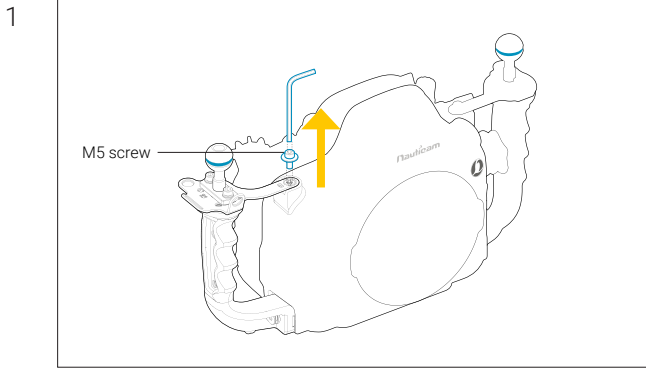
** It is recommended to leave the housing for at least 20mins to ensure it is sealed. If the LED light changes from steady green light to rapidly flashing yellow light, that means there is a leakage. Please check every O-ring and then conduct the vacuum test again.*

OPTIONAL ACCESSORIES

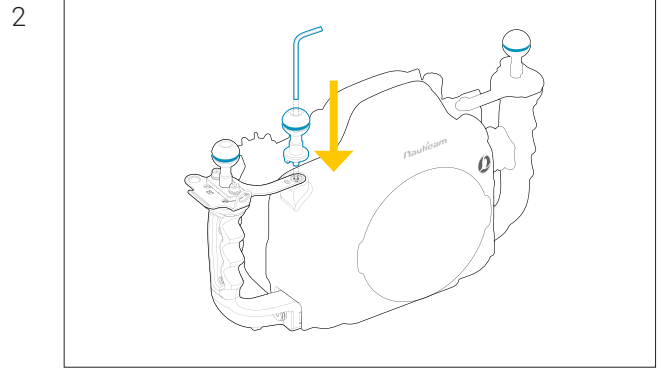
* drawings as illustrations only

Strobe Mounting Ball

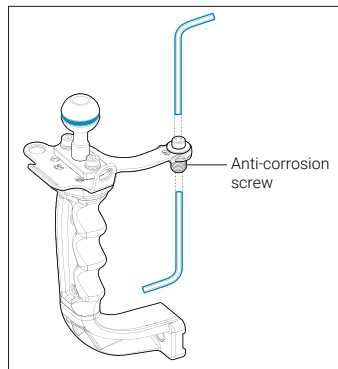
Installing M5 Strobe Mounting Ball - RECOMMENDED



remove M5 screw with the allen key provided in the housing package

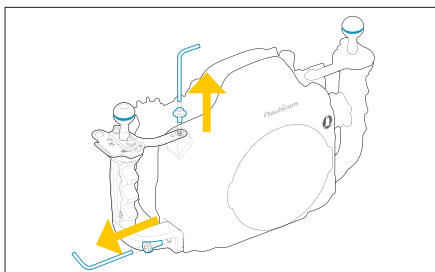


screw #25228 M5 Strobe mounting ball directing ball onto the M5 thread

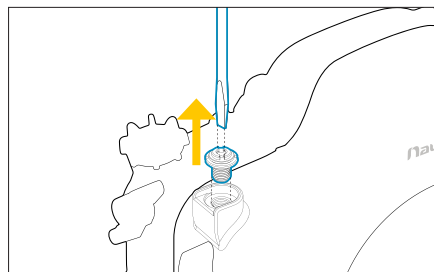


** the anti-corrosion screw may also be unscrewed while removing M5 screw, if this is happening, you can separate the parts as shown in the diagram on the left*

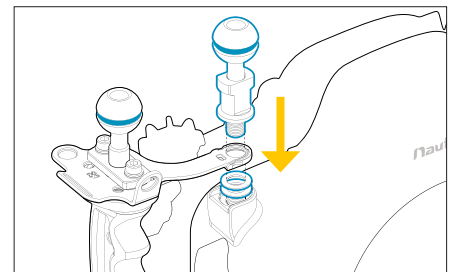
Installing M10 Strobe Mounting Ball - Optional



remove M5 screw and housing handle screw on the side

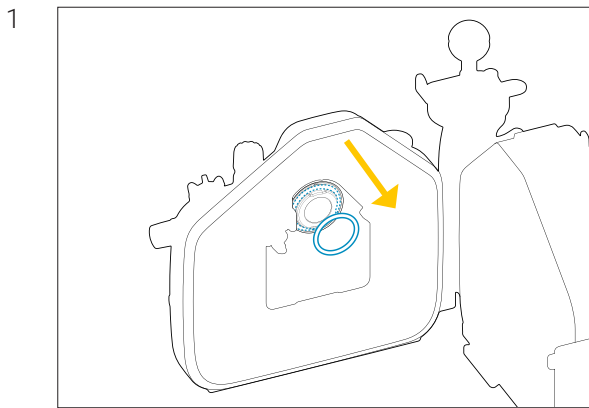


take out the handle and remove the anti-corrosion screw

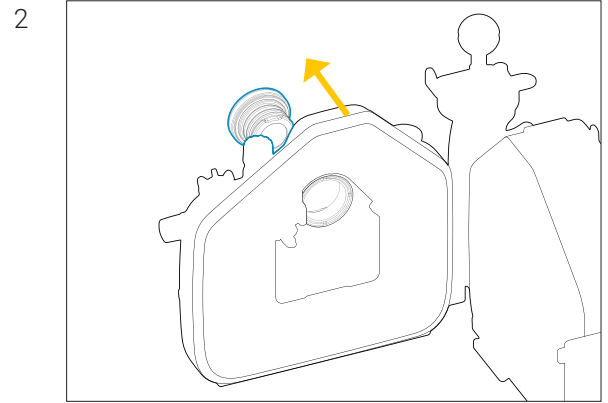


screw the M10 Strobe mounting ball onto the housing as shown

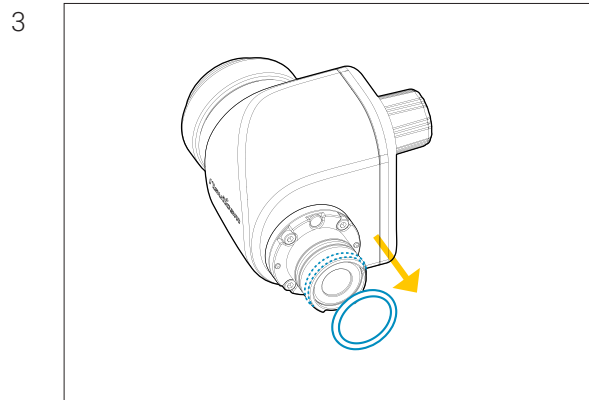
OPTIONAL ACCESSORIES



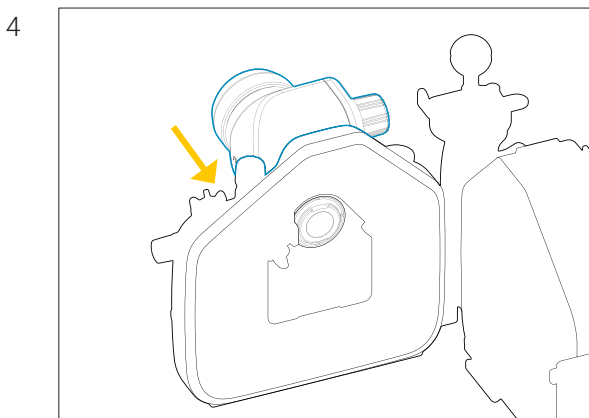
firstly remove the pre-installed 0.66x viewfinder from the housing by removing the retainer o-ring inside rear housing



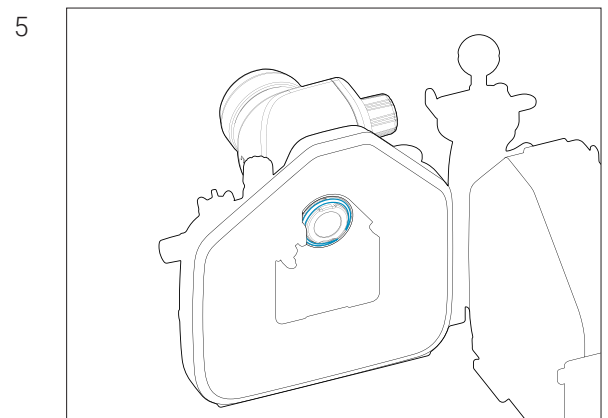
gently push the 0.66x viewfinder from the inside of the housing



remove the retainer o-ring from the viewfinder



align the viewfinder alignment pins with the LCD display window and push the viewfinder into the housing until it cannot go in any further



lightly lubricate the retainer o-ring and place it back from inside the housing

CARE/STORAGE

1

Soak the housing system in fresh water after salt water usage

2

Operate all controls and buttons at least 3 times while immersed in fresh water

3

We recommend cleaning and inspecting the main O-ring each time after diving for any damage and every time the housing is opened.

4

Protect the housing with robust and shock-proof travel case during transportation. Do not travel with camera inside housing.

5

We recommend to ship the housing to our service centers for a complete overhaul after 500 dives/every 3 years.

WARRANTY

All NAUTICAM Housing Products and Viewfinders are warranted against any material and manufacturing defects for two years from the date of purchase for consumer use. NAUTICAM Optical Accessories are warranted against material and manufacturing defects for a period of one year, and HDMI cables carry a year warranty.

This warranty only applies to products purchased from authorized NAUTICAM dealers and does not extend beyond the original retail purchaser.

To return your product for service, please contact your regional authorized service center(s). Please note that this warranty only applies when the product is purchased in the territory where the service center is located.

NAUTICAM accepts no liability for any damage to and defects in the housing caused by improper use and/or poor maintenance; it is the responsibility of the owner to carefully follow the instructions in our manuals.

NAUTICAM does not hold responsibility for damage, of any nature, to any equipment used with and/or placed within our products.

NAUTICAM accepts no liability for any loss of captured images or the inability to capture images even if it is due to the malfunctioning of our products.

Unauthorized modifications and/or repairs of our products will automatically invalidate the warranty.

SPECIFICATIONS

Construction

Housing body	Hard Anodized Aluminium Alloy
Display window	Abrasion Resistant Polycarbonate

Dimensions

Width	332 mm
Height	213 mm
Depth	121 mm

Weight

In air	2.7 kg
Buoyancy in water	negative 0.1kg (includes camera and battery)

Depth

Rating	100 m
--------	-------

Port specifications

Port mount	N 100 Port System
Port accessories	1 x M24, 1 x M14, 1 x M14,

External power bank

Maximum dimension	150 (W) x 18 (H) x 72 (D) mm
Compatible power bank	Anker USB-C portable charger 10000mAh with 20W power delivery 523 Power bank (powerCore 10K)

25302 USB-C Male to Female elbow adaptors, 2pcs
(cable is not included in packaging)

25303 USB-C to USB-C right angle cable (length in 0.5m)

Optional accessories

25624 M14 Vacuum Valve II (Pushbutton Release)
32211 Nauticam Full Frame Straight Viewfinder 32°/ 1:1
32212 Nauticam Full Frame Straight Viewfinder 40°/ 0.8:1
32213 Nauticam Full Frame Angle Viewfinder 32°/ 1:1
32214 Nauticam Full Frame Angle Viewfinder 40°/ 0.8:1
<i>* 32211/32213 is recommended</i>
26216 Universal Optical Fiber Cable
25218 Mounting Ball Set for Tripod (for NA-XT5)
26305 Mini flash trigger for Panasonic/Fujifilm
25311 Strobe mounting ball for cold shoe
25312 Light mounting stem for cold shoe
25111 Strobe mounting ball for handle with screws*
<i>*Mounted on the top M5 threaded holes underneath cold shoe.</i>

Buoyancy options

72216 Ø70x200mm Carbon Fibre Aluminium Float Arm (Buoyancy 370g)
72217 Ø70x250mm Carbon Fibre Aluminium Float Arm (Buoyancy 520g)
72218 Ø70x300mm Carbon Fibre Aluminium Float Arm (Buoyancy 670g)
72219 Ø90x170mm Carbon Fibre Aluminium Float Arm (Buoyancy 450g)
72220 Ø90x220mm Carbon Fibre Aluminium Float Arm (Buoyancy 720g)
72221 Ø50x200mm Carbon Fibre Aluminium Float Arm (Buoyancy 160g)
72222 Ø50x250mm Carbon Fibre Aluminium Float Arm (Buoyancy 240g)
72223 Ø50x300mm Carbon Fibre Aluminium Float Arm (Buoyancy 320g)
72233 Single Bayonet Holder II for Ø70 Float Arm
72234 Double Bayonet Holder II for Ø70 Float Arm
72243 Single Bayonet Holder II for Ø90 Float Arm
72244 Double Bayonet Holder II for Ø90 Float Arm
83252 Bayonet Holder for Arms
83253 Double Bayonet Holder for Arms
83254 Bayonet Lens Holder for Inon Float Arms

HDMI CONNECTION & MONITOR OPTIONS

HDMI connectivity required accessories (2.0)

25086	M24 adaptor for HDMI 2.0 cable
25077	M24D1R205-M28A1R170 HDMI 2.0 cable

Monitor options (2.0)

17922	Nauticam Atomos Ninja V Housing for Atomos Ninja V 5" (excl. HDMI 2.0 cable)
-------	--

HDMI connectivity required accessories (1.4)

25081	M24-M16 Step Down Adaptor
25076	HDMI (D-D) 1.4 Cable in 200mm Length for NA-XT5
25033	standard HDMI bulkhead with M16 thread

**25033 and M16 Spacer are included in monitor housings*

Monitor options (1.4)

17923	NA-Shinobi-H Housing for Atomos Shinobi 5.2" 4K HDMI Monitor
17925	NA-503-H Housing for SmallHD 503 UltraBright On-Camera Monitor

WET LENS COMPATIBILITY

**please refer to Nauticam port charts for more setup information.*

Macro	81201 Super Macro Converter 1
	81301 Compact Macro Converter 1 (CMC-1, 4.5x Magnification)
Macro to Wideangle	86201 Macro to Wideangle Lens 1 (MWL-1, 150 deg. FOV with full frame 60mm macro lens)
Wideangle	83202 Wet Wide Lens 1B (WWL-1B) 130 deg. FOV with compatible 28mm lenses (incl. float collar)
	83203 Wet Wide Lens Compact (WWL-C) 130 Deg. FOV with Compatible 24mm Lenses (incl. float collar)
	85205 N100 0.36x Wide Angle Conversion Port Compact (WACP-C)

Optional wet lens accessories

25101	M67 flip diopter holder for M67 macro ports
25108	M67 Double Flip Holder for M67 Macro Ports
83250	M67 to Bayonet Converter II
83214	Bayonet Mount Adaptor for SMC/CMC

FLASH TRIGGERING

Manual Flash Trigger

26305	Mini flash trigger for Panasonic/Fujifilm
-------	---

TTL Flash Trigger

Fujifilm	EF-X8
----------	-------

Nauticam Internationl Ltd.

Rm 2203, CCT Telecom Bldg,
11 Wo Shing St,
Fo Tan,
Hong Kong

Tel. +852 - 26902711
Fax. +852 - 26909778
URL. www.nauticam.com
Gallery. www.nauticam.smugmug.com