

# NA - R6II

For Canon R6II Camera

PN 17339

## User Manual

Housing

FF- MIL

Introduction	2
Package Contents	2
Important Instructions	3
Part Names and Functions	4
Housing Mount	7
Opening the housing	8
Closing the housing	9
Preparation for Use	10
Optional Accessories	15
Care/Storage	17
Warranty	18
Specifications	19

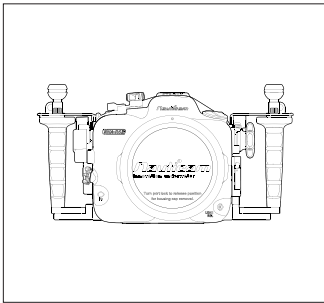
# INTRODUCTION

Thank you for purchasing this Nauticam product.

Before using the product, please read this manual thoroughly to familiarize yourself with full scope of functions on the product as well as ensuring that you will use the product correctly.

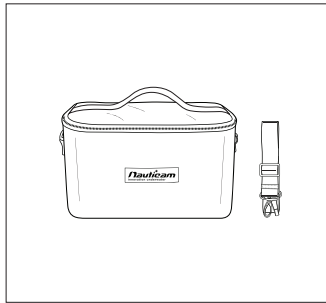
# PACKAGE CONTENTS

Make sure that you have all the included items listed below before using this product. If some items are missing or damaged, contact your local Nauticam dealer.

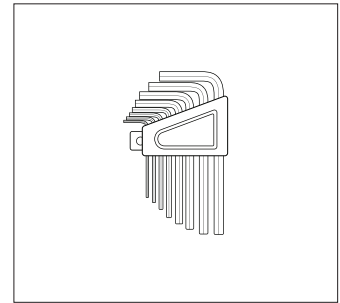


NA-R6II

(2 x Handles with Mounting Balls, 1 x Housing Cap, 2 x Optical Fiber Mount Caps, 2 x Stainless Steel Handle Brackets)



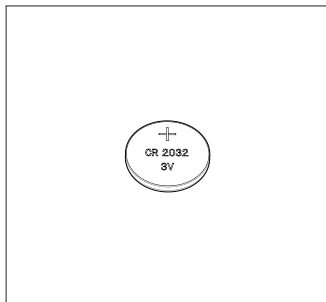
Padded Travel Case



Allen key set

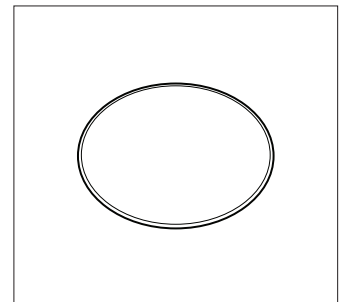


Lubricant



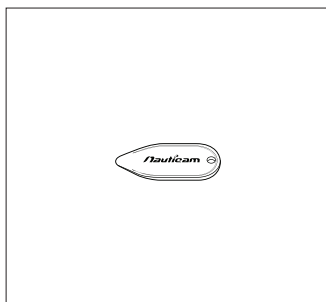
Panasonic CR2032 Battery

(pre-installed for Moisture Alarm)

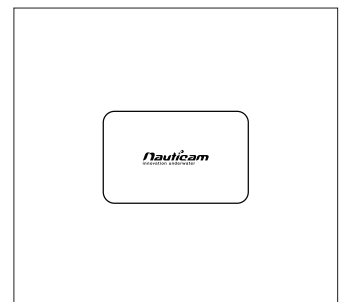


Spare Main O-ring

After purchase, we suggest that you reuse all packaging materials for future travelling.



O-ring Remover



Manual Instruction Card

# IMPORTANT INSTRUCTIONS

1

Water-tight test of the housing (without camera inside) before usage is recommended as well as any O-ring renewal and port change.

2

Do not seal the housing when travelling by air as this may lead to a pressure difference between the atmosphere and inside the housing.

3

Only the accessories specified by Nauticam must be used. Third-party accessories may result in malfunctions or damage to the product.

4

Use only Nauticam lubricant on silicone rubber O-ring.

5

Do not stretch any O-rings excessively. Only remove it using Nauticam O-ring remover.



6

Discontinue use immediately when there is a sign of leakage.

7

Do not attempt to remove parts of the housing yourself. Repairs must be done at authorized service centers only.

8

The housing should be positioned on the a stable and safe surface on land.

9

Do not expose the housing in direct sunlight for a prolonged period.

10

Do not open the housing in wet or sandy environment. Protect the housing from moisture and debris in order to prevent malfunction or leakage.

11

Prevent any sand or dust or water penetration inside the housing. Be extra careful when changing lens and inserting or removing the camera.

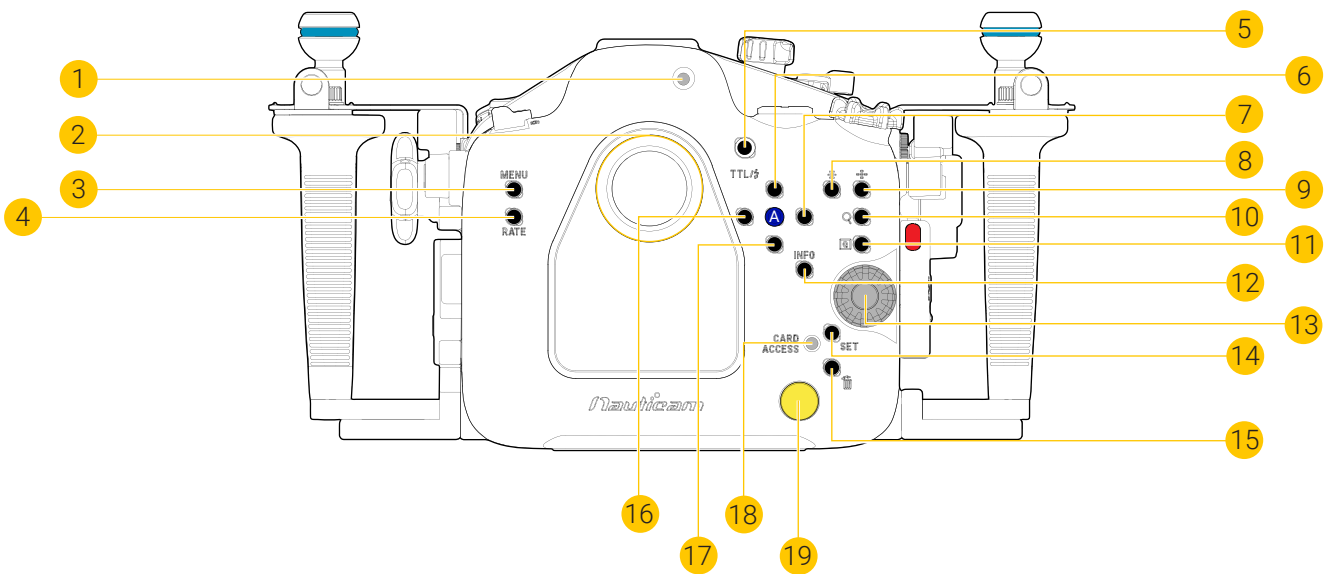


12

This product is not intended for use by children, or persons with reduced physical, sensory or mental capabilities, or lack of experience and knowledge, unless they are supervised and/or given instruction by a responsible person concerning use of the product to ensure that they can use it safely.

# PART NAMES AND FUNCTIONS

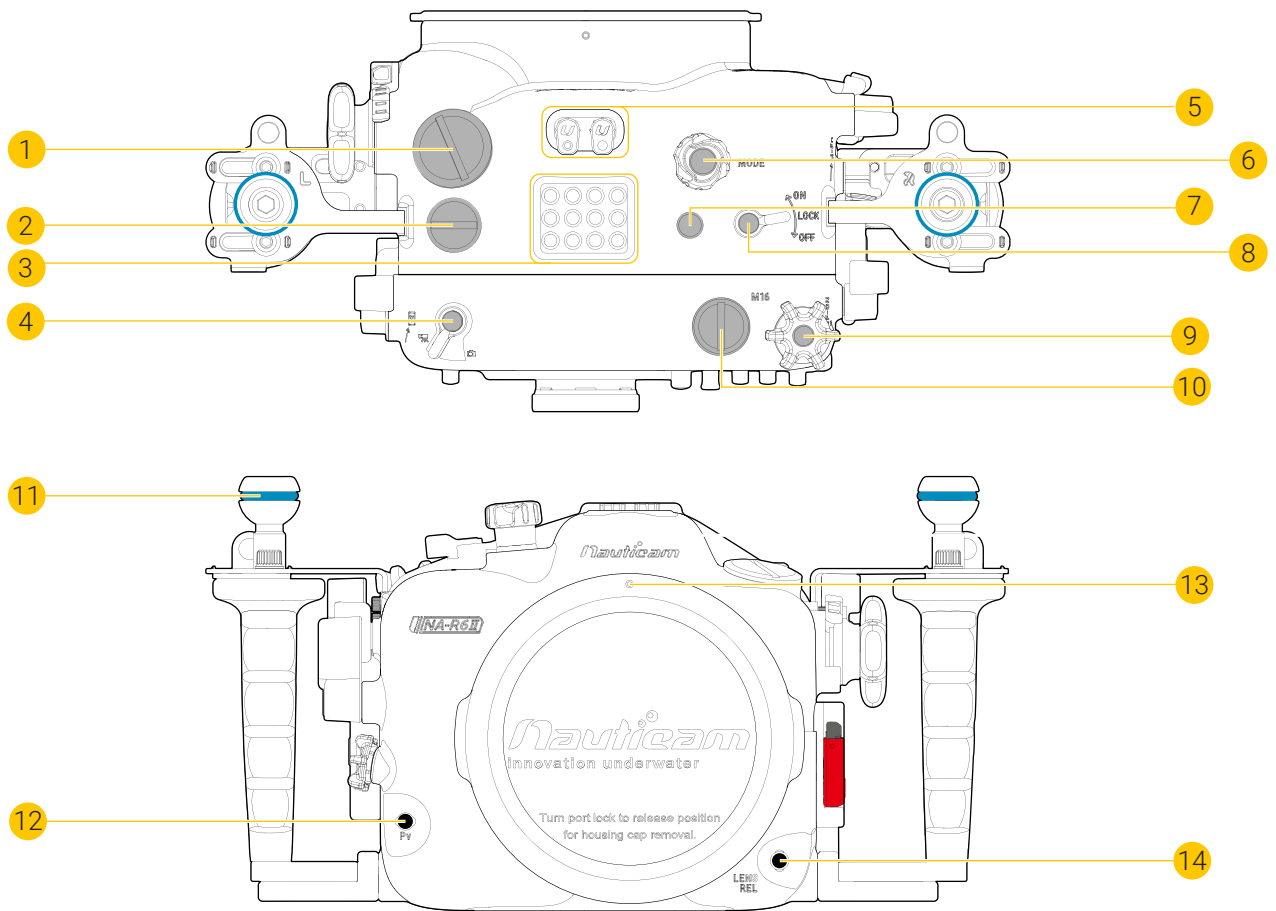
Rear View



- |    |                       |    |                         |
|----|-----------------------|----|-------------------------|
| 1  | TTL Indicator window  | 2  | Viewfinder              |
| 3  | Menu button           | 4  | Rate button             |
| 5  | TTL on/off button     | 6  | Multi selector -Up      |
| 7  | Multi selector -Right | 8  | AE lock button          |
| 9  | AF point selection    | 10 | Magnify/reduce button   |
| 11 | Quick control button  | 12 | Info button             |
| 13 | Quick control dial 1  | 14 | Set button              |
| 15 | Delete button         | 16 | Multi selector -Left    |
| 17 | Multi selector -Down  | 18 | Access lamp             |
| 19 | Moisture alarm window | A  | Multi selector - center |

# PART NAMES AND FUNCTIONS

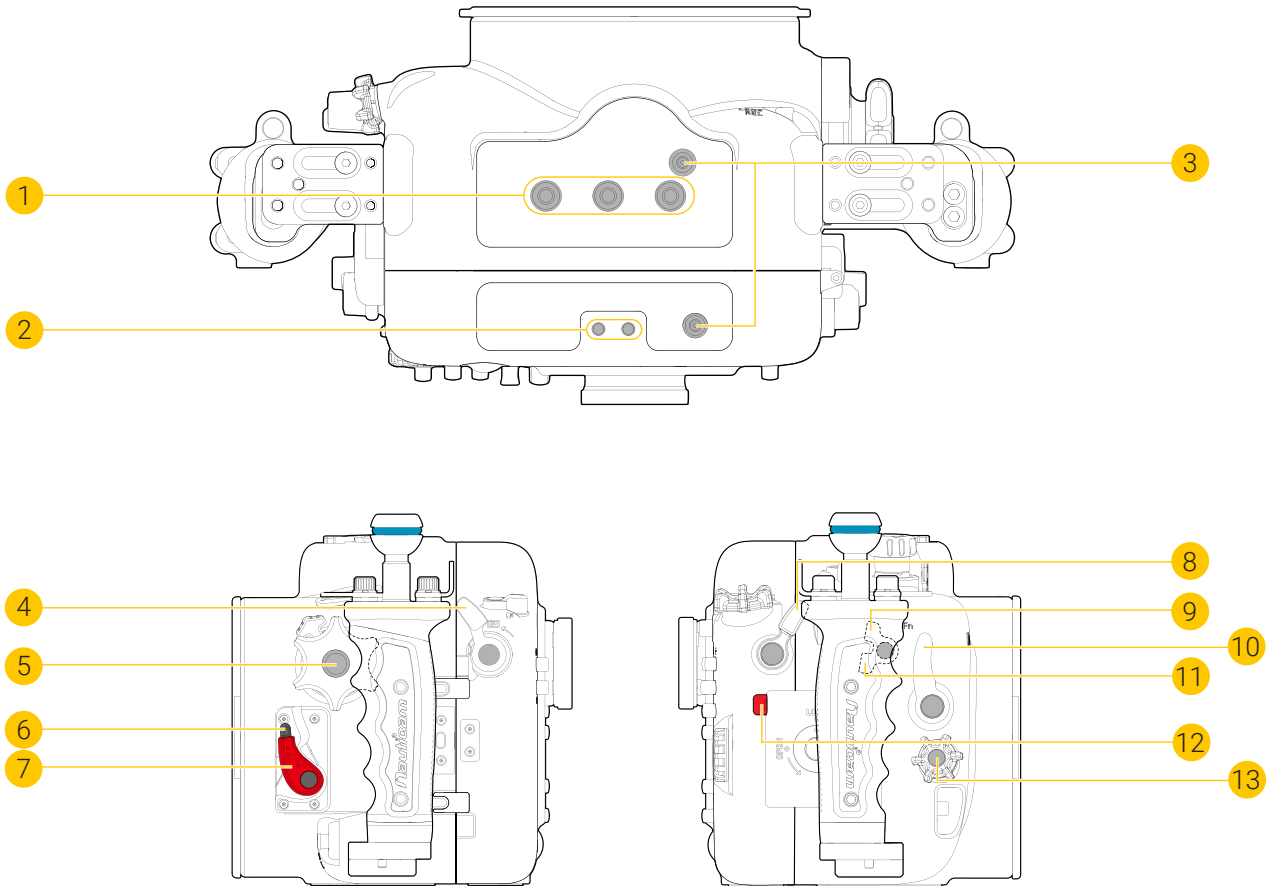
Top + Front Views



- |    |                                |    |   |
|----|--------------------------------|----|---|
| 1  | M24 Accessory port             | 2  | M14 Accessory port                          |
| 3  | 1/4" Threaded holes            | 4  | Still photo shooting/movie recording switch |
| 5  | Optical fiber cable connection | 6  | Mode dial                                   |
| 7  | M10 Accessory port             | 8  | Main switch                                 |
| 9  | Rear dial                      | 10 | M16 Accessory port                          |
| 11 | Accessory mounting ball        | 12 | Preview button                              |
| 13 | Port index mark                | 14 | Lens release button                         |

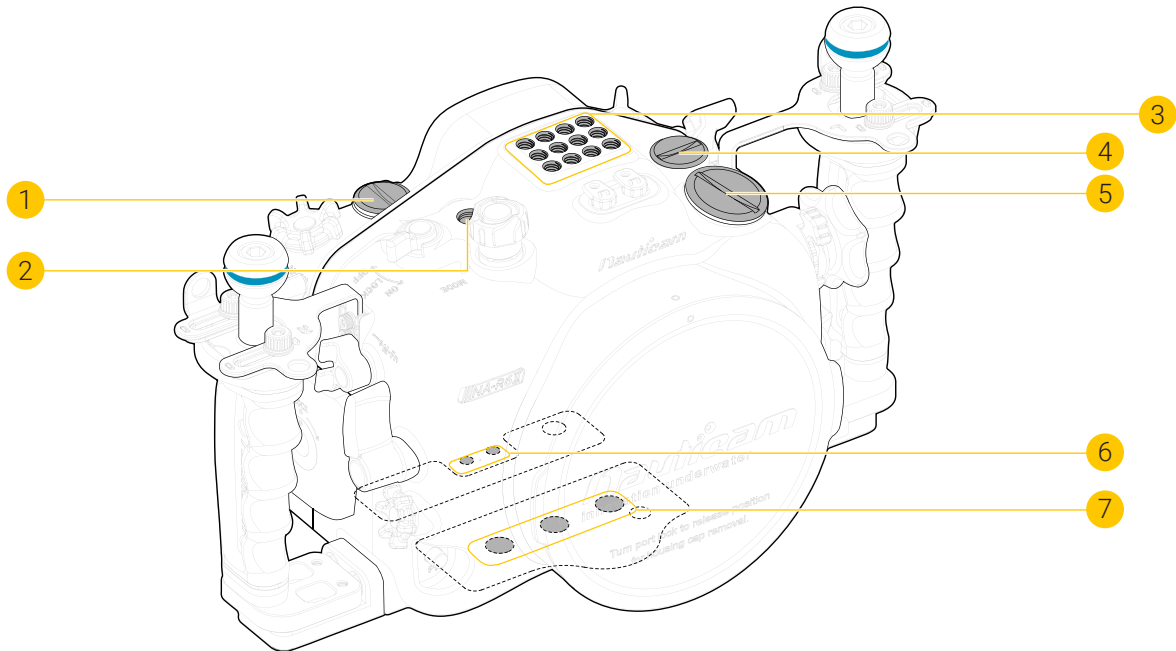
# PART NAMES AND FUNCTIONS

Back + Side Views



- |    |                            |    |                         |
|----|----------------------------|----|-------------------------|
| 1  | 1/4" Threaded tripod holes | 2  | M5 Threaded holes       |
| 3  | Sacrificial zinc anodes    | 4  | Playback lever          |
| 5  | Zoom/Focus knob            | 6  | Port lock safety button |
| 7  | Port locking lever         | 8  | AF-ON lever             |
| 9  | M-Fn lever                 | 10 | Shutter release lever   |
| 11 | REC lever                  | 12 | Housing unlock button   |
| 13 | Front dial                 |    |                         |

# HOUSING MOUNT



## Housing mount

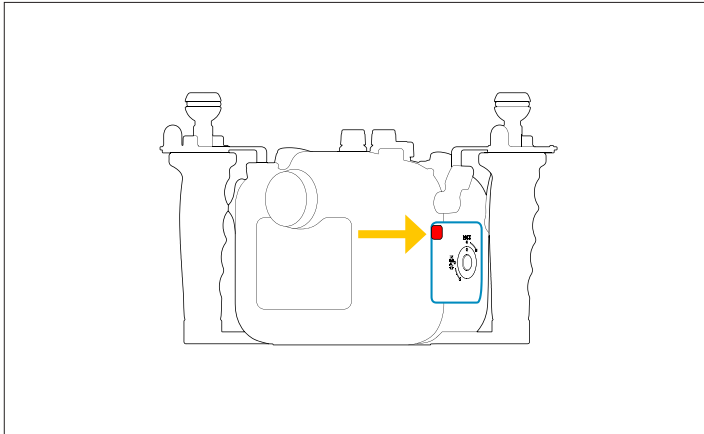
## Compatible accessories

1	M16 Accessory port	25624	M16 Vacuum Valve II (Optional)
2	M10 Accessory port	25221	M10 Strobe mounting ball
		25224	M10 Strobe mounting ball with hole
3	1/4" -20 mounting threads	17959	Housing Mounting ball with 1/4" screws
4	M14 Accessory port	25017	M14 6 pin bulkhead for Canon system
		25020	Canon hotshoe plug to a M14 Nikonos bulkhead (x and ground connection only)
5	M24 Accessory port	25033	Standard HDMI bulkhead with M16 thread
		25081	M24-M16 Step Down Adaptor
		25086	M24 adaptor for HDMI 2.0 cable
		25077	HDMI 2.0 cable
6	M5 Threaded holes	25218	Mounting ball set for tripod legs
7	1/4" -20 mounting threads	17954	Universal tripod plate
		17960	Universal Quadra-Pod Plate for Nauticam Housings

# OPENING THE HOUSING

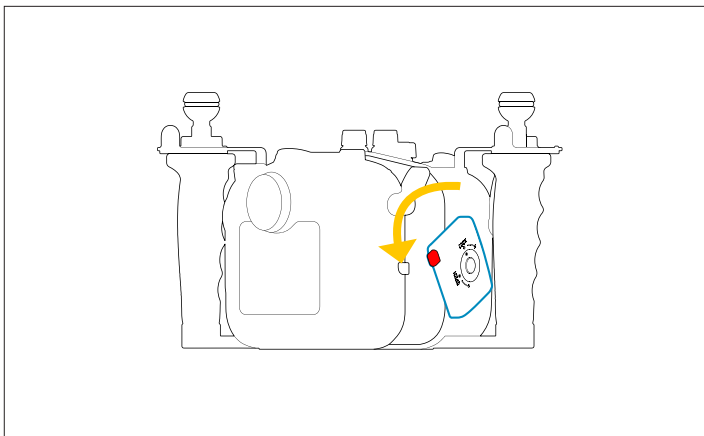
\* drawings as illustrations only

1



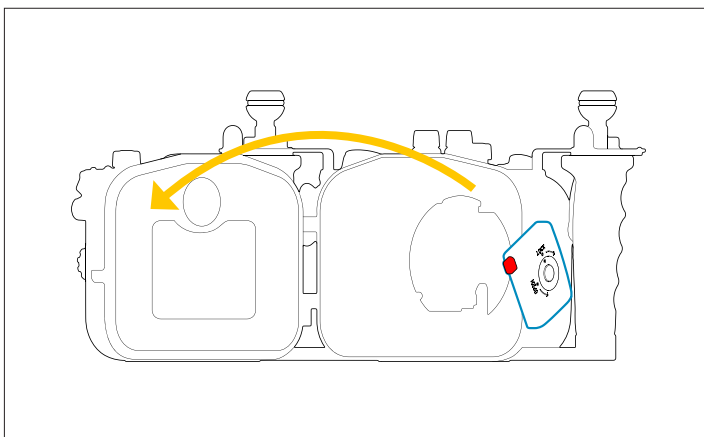
depress housing unlock button

2



turn housing lock latch  
anti-clockwise to open the  
housing

3



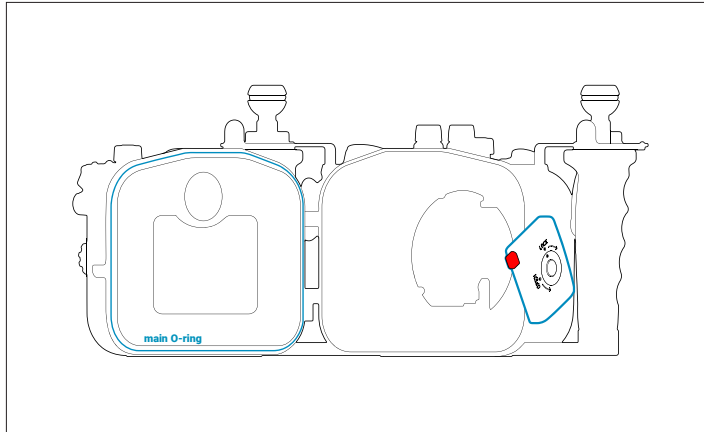
flip open the back housing  
when lock latch is aligned to  
'open' position



# CLOSING THE HOUSING

\* drawings as illustrations only

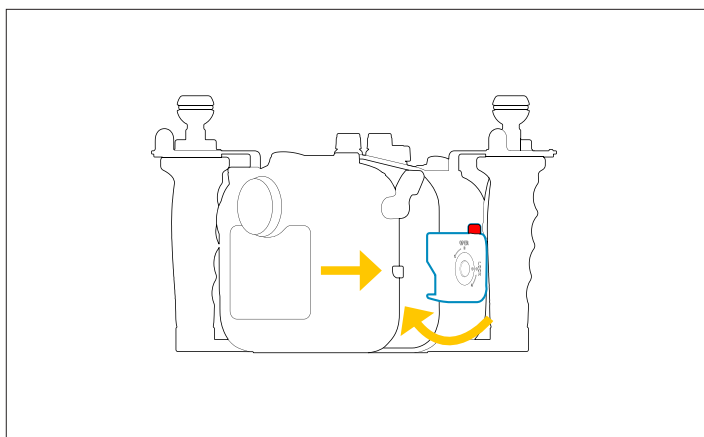
1



before closing the housing, clean and lubricate the main O-ring

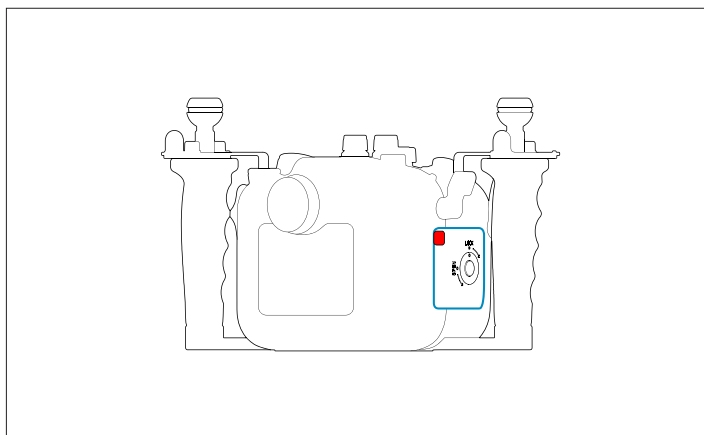
make sure nothing is caught between front and back housing and that they are fully aligned before locking

2



insert the housing shaft into the shaft hole and then rotate the lock latch clockwise until you hear and feel it click into place

3



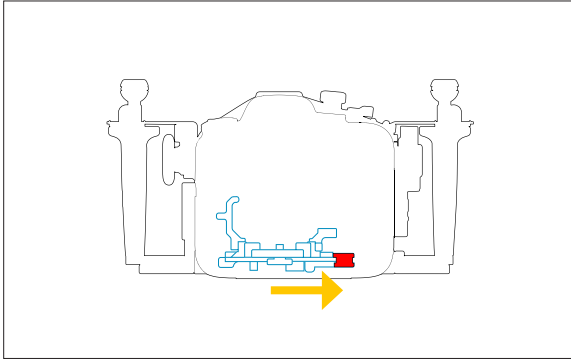
housing locked in place securely

# PREPARATION FOR USE

\* drawings as illustrations only

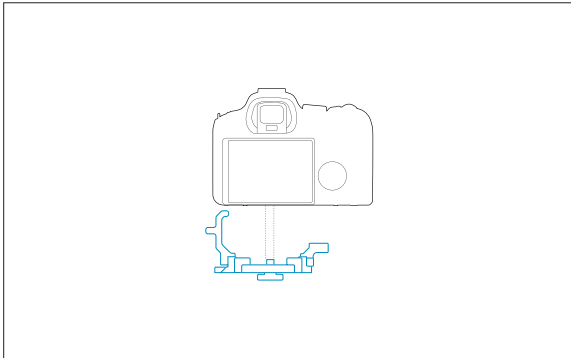
Installing the Camera - housing tray attachment

1



unlock camera tray lever and  
remove the tray from the housing

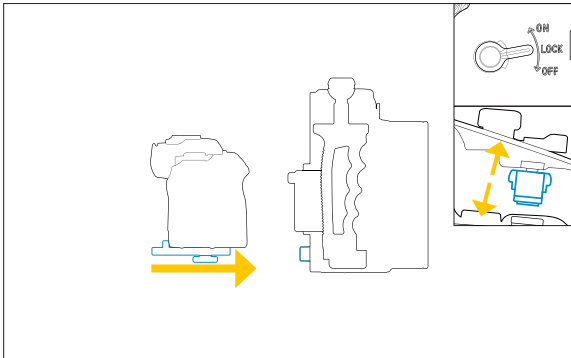
2



attach the camera tray by tightening  
the tray screw into the tripod socket  
of the camera

place the actuator on the camera  
tray in place and make sure it is en-  
gaged with the focus mode switch  
on the camera

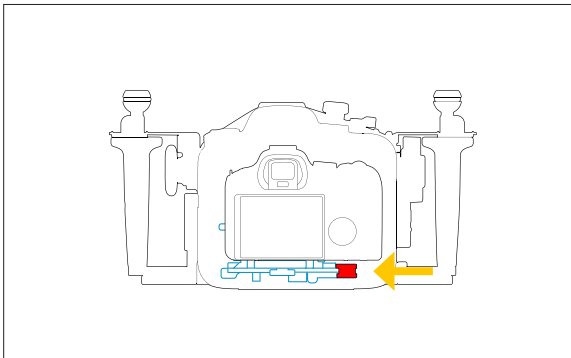
3



*\* lift up actuator of ON/OFF lever each  
time before installing the camera  
\* make sure the ON/LOCK/OFF lever  
is aligned with camera control before  
sliding the camera into the housing  
\* pull out the zoom/focus knob if  
installing the camera with lens and  
gear attached*

slide the camera tray back into the  
housing along the tray rail

4



lock camera tray

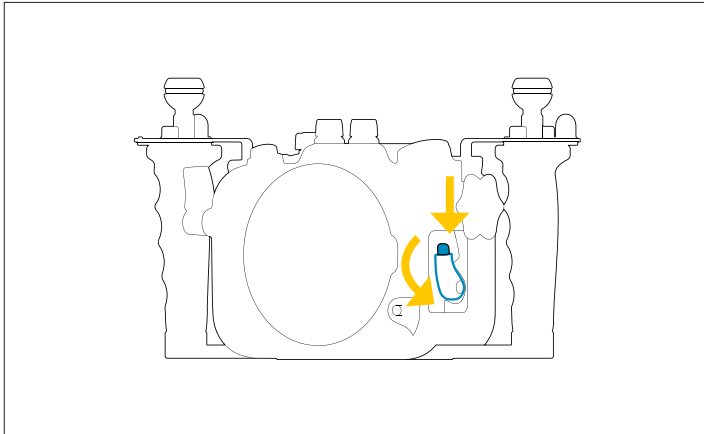
*\* place the zoom/focus knob in  
place and make sure it is engaged  
with lens gear  
\*gently push the actuator of ON/OFF  
lever downwards to make sure it is  
engaged with the lever on the camera*

# PREPARATION FOR USE

\* drawings as illustrations only

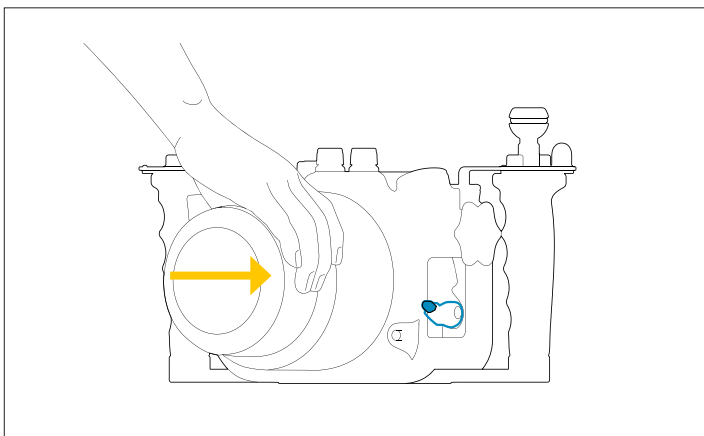
Port Mounting

1



depress port lock safety button and rotate anti-clockwise

2

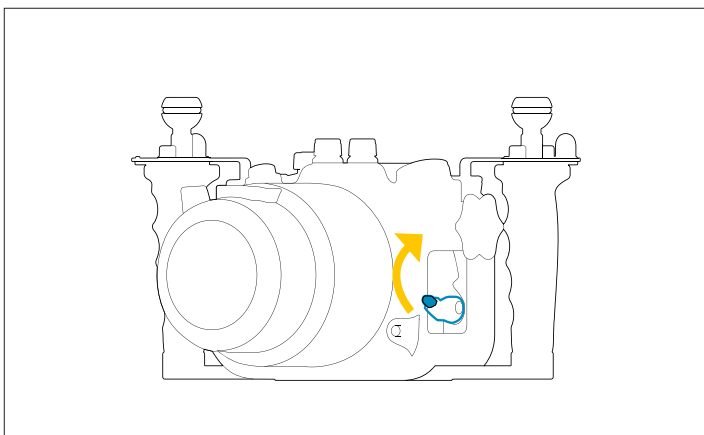


lubricant the port O-ring before mounting

align index mark

push port assembly straight in

3

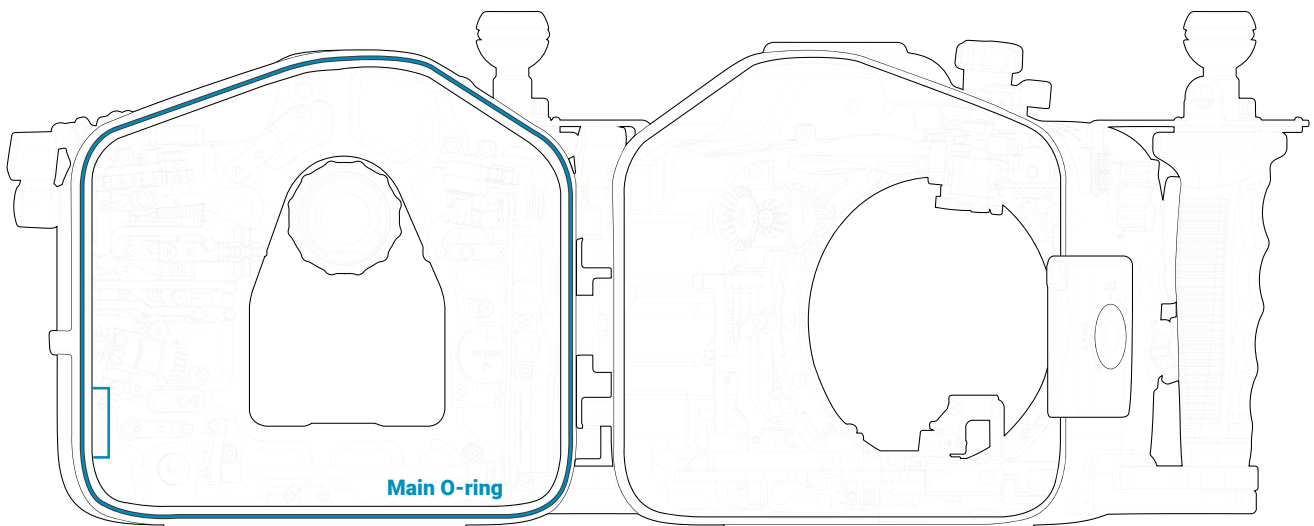


rotate locking lever clockwise to lock

# PREPARATION FOR USE

\* drawings as illustrations only

Coating housing O-ring

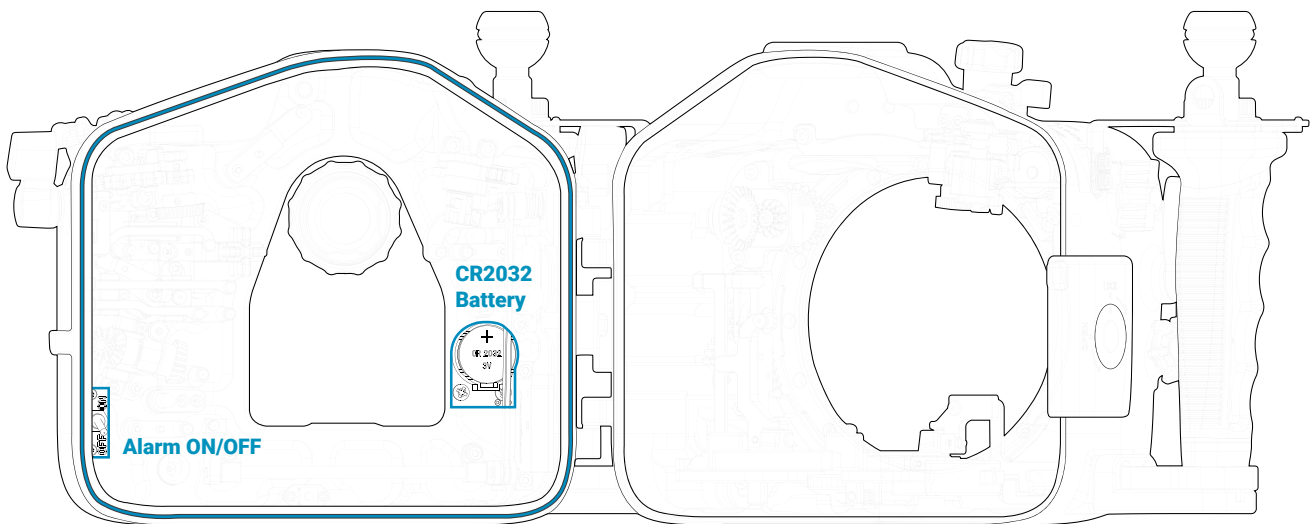


- 1  
remove the main O-ring using an O-ring remover
  
- 2  
clean the O-ring groove with a cloth and ensure that it is free from salt or other foreign materials
  
- 3  
lightly coat it with provided lubricant
  
- 4  
return the main O-ring by slowly pressing from one corner to the whole perimeter

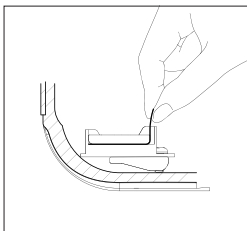
# PREPARATION FOR USE

\* drawings as illustrations only

Setting up moisture alarm

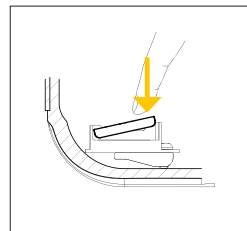


1



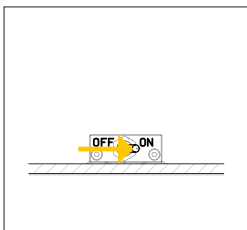
remove battery insulation film

2



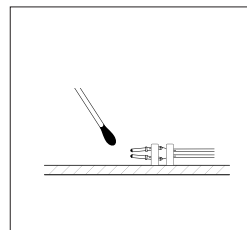
press the battery down until it click into place

3



switch on the alarm  
- the moisture alarm window will flash in **BLUE** when it is working correctly

4



test the alarm  
- connect the wires with a dampened cotton bud; the alarm will give a repeating 'beep' and the moisture alarm window will flash **RED**

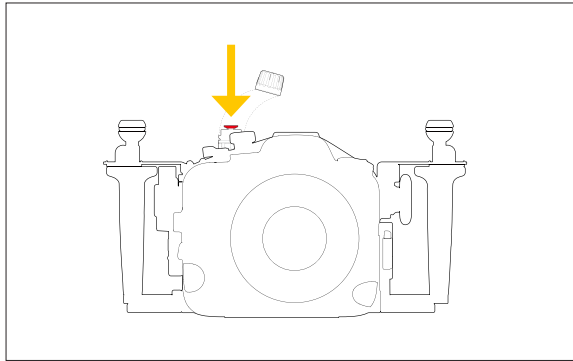
\* please contact our authorized service centers if testing fails  
\* please refer to page 15 for complete vacuum system guidance

# PREPARATION FOR USE

\* drawings as illustrations only

Changing lens/port without opening the housing

1

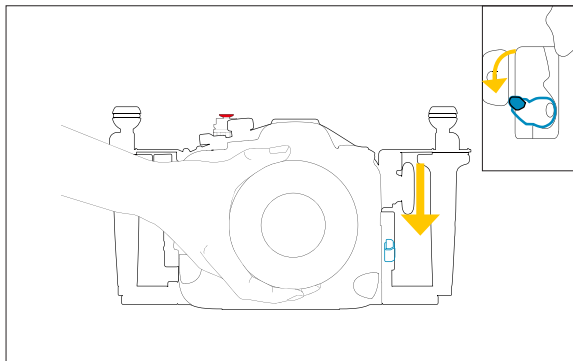


If using with vacuum valve :

remove the cap from the vacuum valve and press the red button to release pressure before unlocking port lock

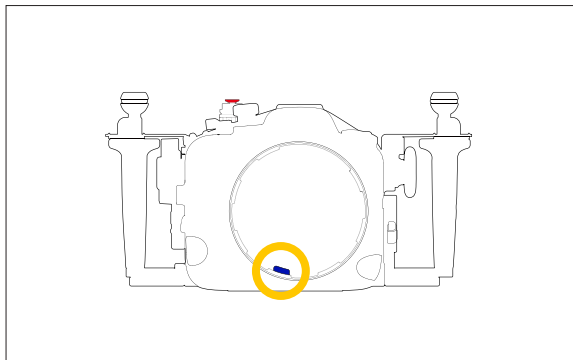
If using without vacuum valve, please follow from step 2

2



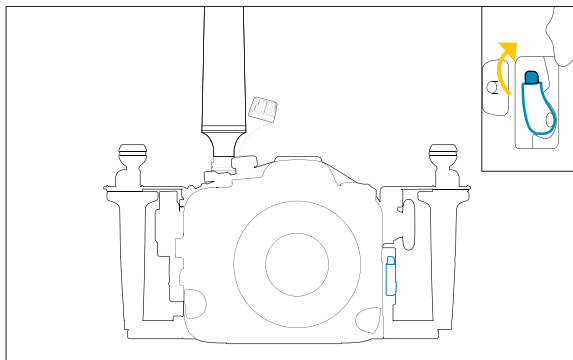
unlock port lock and remove port assembly

3



press the blue button to reset vacuum alarm before replacing port

4



replace port assembly

then reset vacuum valve system using hand pump and close the cap after

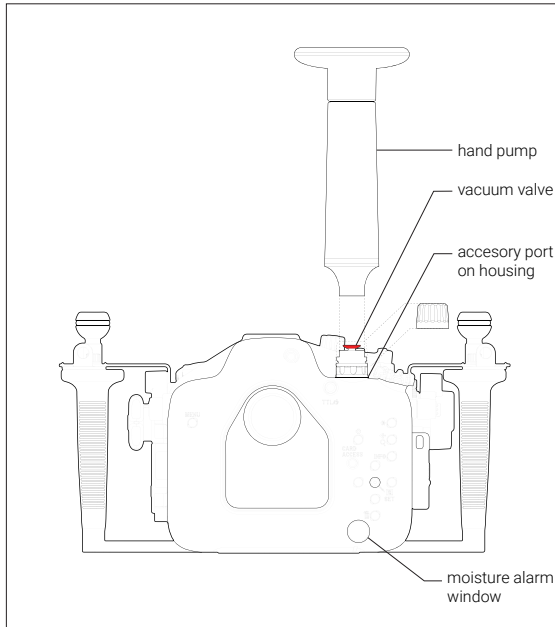
\* please refer to page 15 on complete vacuum system guidance

# OPTIONAL ACCESSORIES

\* drawings as illustrations only

Vacuum valve system

1



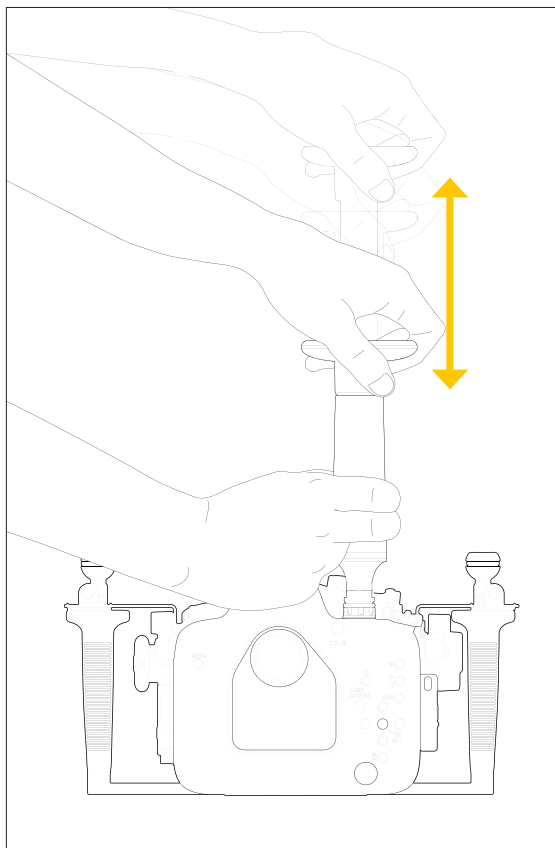
remove the plug of M16 accessory port from the housing

remove the cap from the vacuum valve

slightly lubricate the o-ring and make sure the o-ring is in place

then tighten the vacuum valve to the housing with the tool provided








2



connect hand pump to the valve and pump several times until it reaches the target vacuum level

close vacuum valve cap

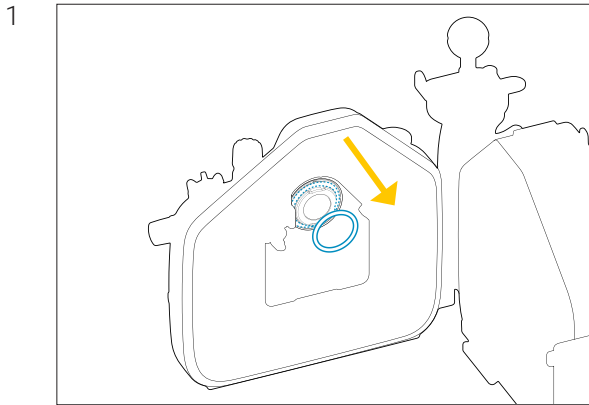
Moisture alarm window colour indication :

Steady Blue		device is turned on
Flashing Blue		standby mode, ready for pumping
Steady Green		target vacuum level is reached
Flashing Yellow		vacuum level is dropping
Flashing Red		vacuum is totally lost, circuit stalled until device is switched off
Alternating Blue and Red		vacuum is totally lost, circuit stalled until device is switched off
Steady Red		out of battery

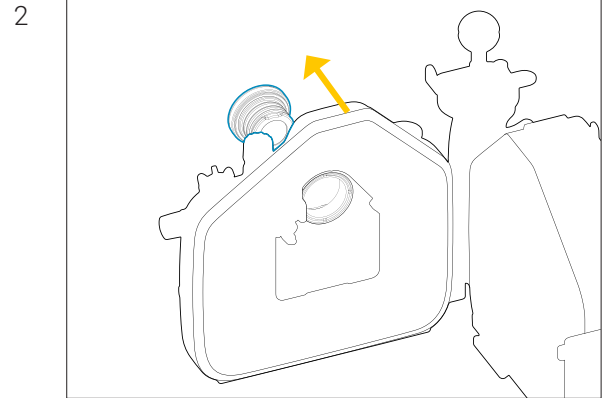
*\* It is recommended to leave the housing for at least 20mins to ensure it is sealed. If the LED light changes from steady green light to rapidly flashing yellow light, that means there is a leakage. Please check every O-ring and then conduct the vacuum test again.*

*\* please contact our authorized service centers if testing fails*

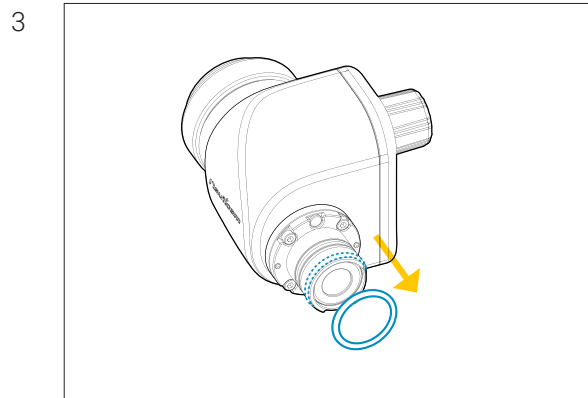
# OPTIONAL ACCESSORIES



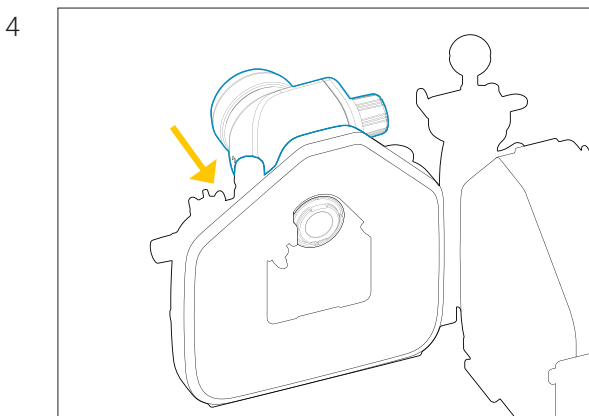
firstly remove the pre-installed 0.66x viewfinder from the housing by removing the retainer o-ring inside rear housing



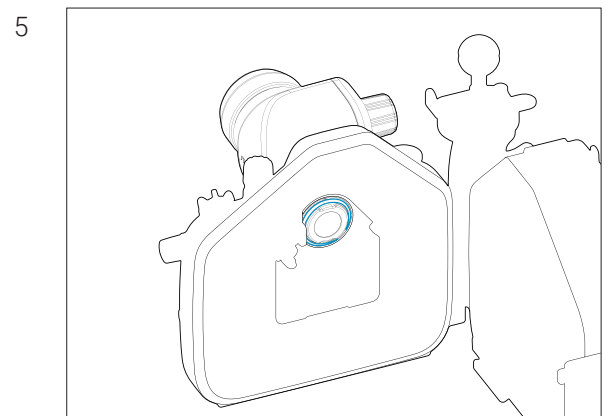
gently push the 0.66x viewfinder from the inside of the housing



remove the retainer o-ring from the viewfinder



align the viewfinder alignment pins with the LCD display window and push the viewfinder into the housing until it cannot go in any further



lightly lubricate the retainer o-ring and place it back from inside the housing



## CARE/STORAGE

1

Soak the housing system in fresh water after salt water usage

2

Operate all controls and buttons at least 3 times while immersed in fresh water

3

We recommend cleaning and inspecting the main O-ring each time after diving for any damage and every time the housing is opened.

4

Protect the housing with robust and shock-proof travel case during transportation. Do not travel with camera inside housing.

5

We recommend to ship the housing to our service centers for a complete overhaul after 500 dives/every 3 years.

# WARRANTY

All NAUTICAM Housing Products and Viewfinders are warranted against any material and manufacturing defects for two years from the date of purchase for consumer use. NAUTICAM Optical Accessories are warranted against material and manufacturing defects for a period of one year, and HDMI cables carry a year warranty.

This warranty only applies to products purchased from authorized NAUTICAM dealers and does not extend beyond the original retail purchaser.

To return your product for service, please contact your regional authorized service center(s). Please note that this warranty only applies when the product is purchased in the territory where the service center is located.

NAUTICAM accepts no liability for any damage to and defects in the housing caused by improper use and/or poor maintenance; it is the responsibility of the owner to carefully follow the instructions in our manuals.

NAUTICAM does not hold responsibility for damage, of any nature, to any equipment used with and/or placed within our products.

NAUTICAM accepts no liability for any loss of captured images or the inability to capture images even if it is due to the malfunctioning of our products.

Unauthorized modifications and/or repairs of our products will automatically invalidate the warranty.

# SPECIFICATIONS

## Construction

Housing body	Hard Anodized Aluminium Alloy
Display window	Abrasion Resistant Polycarbonate

## Dimensions

Width	320 mm
Height	175 mm
Depth	160 mm

## Weight

In air	2.5 kg
Buoyancy in water	0.3 kg (includes camera and battery)

## Depth

Rating	100 m
--------	-------

## Port specifications

Port mount	N 120 Port System
Port accessories	1 x M24, 1 x M14, 1 x M10, 1x M16 12x 1/4"-20 threaded holes

## Buoyancy options

72216 Ø70x200mm Carbon Fibre Aluminium Float Arm (Buoyancy 370g)
72217 Ø70x250mm Carbon Fibre Aluminium Float Arm (Buoyancy 520g)
72218 Ø70x300mm Carbon Fibre Aluminium Float Arm (Buoyancy 670g)
72219 Ø90x170mm Carbon Fibre Aluminium Float Arm (Buoyancy 450g)
72220 Ø90x220mm Carbon Fibre Aluminium Float Arm (Buoyancy 720g)
72233 Single Bayonet Holder II for Ø70 Float Arm
72234 Double Bayonet Holder II for Ø70 Float Arm
72243 Single Bayonet Holder II for Ø90 Float Arm
72244 Double Bayonet Holder II for Ø90 Float Arm
83252 Bayonet Holder for Arms
83253 Double Bayonet Holder for Arms
83254 Bayonet Lens Holder for Inon Float Arms
87516 EMWL Bayonet Holder for Ø70 Float Arm
87517 EMWL Bayonet Holder for Ø90 Float Arm

## Optional accessories

25624 M14 Vacuum Valve II (Pushbutton Release)
25625 M16 Vacuum Valve II (Pushbutton Release)
32211 Nauticam Full Frame Straight Viewfinder 32° / 1:1
32212 Nauticam Full Frame Straight Viewfinder 40° / 0.8:1
32213 Nauticam Full Frame Angle Viewfinder 32° / 1:1
32214 Nauticam Full Frame Angle Viewfinder 40° / 0.8:1
*32212/32214 is preferable.
26216 Universal Optical Fiber Cable
25081 M24-M16 Step Down Adaptor
25019 M16 to M14 step down adaptor for electrical bulkhead
25218 Mounting ball set for tripod

## HDMI CONNECTION & MONITOR OPTIONS

### HDMI connectivity required accessories ( 2.0 )

25086	M24 adaptor for HDMI 2.0 cable
25077	M24D1R205-M28A1R170 HDMI 2.0 cable

### Monitor options ( 2.0 )

17922	Nauticam Atomos Ninja V Housing for Atomos Ninja V 5"
17922S	Nauticam Atomos Ninja V-S Housing for Atomos Ninja V 5"

### HDMI connectivity required accessories ( 1.4 )

25033	Standard HDMI bulkhead with M16 thread
25081	M24-M16 Step Down Adaptor
25076	HDMI (D-D) Cable in 200mm Length for NA-R6II

*\*25033 is included in monitor housing*

### Monitor options ( 1.4 )

17923	NA-Shinobi-H Housing for Atomos Shinobi 5.2" 4K HDMI Monitor
17925	NA-503-H Housing for SmallHD 503 UltraBright On-Camera Monitor

## WET LENS COMPATIBILITY

*\*please refer to Nauticam port charts for more setup information.*

Macro	81201	Super Macro Converter 1 (2.3x Magnification)
	81202	Super Macro Converter 2 (4x Magnification)
Macro to Wideangle	86201	Macro to Wideangle Lens 1 (MWL-1) 150 deg. FOV with full frame 60mm macro lens
	87302	EMWL Set #2 (incl. focusing unit #2, 150mm relay lens and 3 objective lenses)
	87202	EMWL Focusing Unit #2 (for Canon FF 100mm & APS-C 60mm)
	87211	EMWL 150mm Relay Lens
	87212	EMWL Angled Relay Lens
	87221	EMWL 60° Objective Lens
	87222	EMWL 100° Objective Lens
	87223	EMWL 130° Objective Lens
Wideangle	87226	EMWL 160° Objective Lens
	83202	Wet Wide Lens 1B (WWL-1B) 130 deg. FOV with compatible 28mm lenses (incl. float collar)
	83203	Wet Wide Lens Compact (WWL-C) 130 Deg. FOV with Compatible 24mm Lenses (incl. float collar)
	85201	0.36x Wide Angle Conversion Port with Aluminium Float Collar (incl. N120 to N100 port adaptor)
	85204	0.57x Wide Angle Conversion Port - 2 (WACP-2) 140 Deg. FOV with Compatible 14mm Lenses (incl. float collar)
85205	N100 0.36x Wide Angle Conversion Port Compact (WACP-C)	

### Optional wet lens accessories

25101	M67 flip diopter holder for M67 macro ports
25108	M67 Double Flip Holder for M67 Macro Ports
83213	M67 to Bayonet Mount Converter II
83214	Bayonet Mount Adaptor for SMC/CMC
83250	M67 to Bayonet Mount Converter II
83251	M77 to Bayonet Mount Converter II
87501	Flip Holder for EMWL
87512	Shade for 130° Objective Lens
87513	Shade for 100° Objective Lens
87519	Shade for 160° Objective Lens
87515	M67 Mount to EMWL Focusing Unit
87518	Strobe Mounting Brackets for EMWL Relay Lens

## FLASH TRIGGERING

### Manual Flash Trigger

26305	mini Flash trigger for Fujifilm/Canon (compatible with NA-XT3/4/5, NA-R7/R6II)
26321	TTL Flash Trigger for Canon

### Electronic Strobe Connection

25017	M14 6 pin bulkhead for Canon system
25020	Canon hotshoe plug to a M14 Nikonos bulkhead (x and ground connection only)

**Nauticam Internationl Ltd.**

Rm 2203, CCT Telecom Bldg,  
11 Wo Shing St,  
Fo Tan,  
Hong Kong

Tel. +852 - 26902711  
Fax. +852 - 26909778  
URL. [www.nauticam.com](http://www.nauticam.com)  
Gallery. [www.nauticam.smugmug.com](http://www.nauticam.smugmug.com)