

NA - R50/NA - R50 Pro Package

For Canon EOS R50 Camera with RF-S 18-45mm F4.5-6.3 IS STM Lens

PN 17340/17340P

User Manual
Housing
APS-C - COMPACT

Introduction	2
Package Contents	2
Important Instructions	3
Part Names and Functions	4
Housing Mount	7
Opening the housing	8
Closing the housing	9
Preparation for Use	10
Optional Accessories	13
Care/Storage	14
Warranty	15
Specifications	16

INTRODUCTION

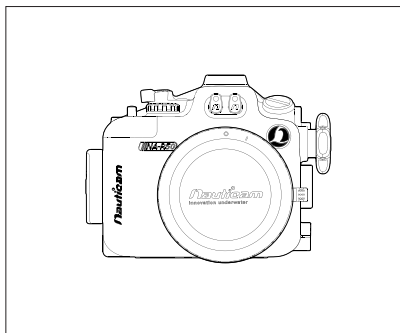
Thank you for purchasing this Nauticam product.

Before using the product, please read this manual thoroughly to familiarize yourself with full scope of functions on the product as well as ensuring that you will use the product correctly.

PACKAGE CONTENTS

Make sure that you have all the included items listed below before using this product. If some items are missing or damaged, contact your local Nauticam dealer.

17340 NA-R50 Housing

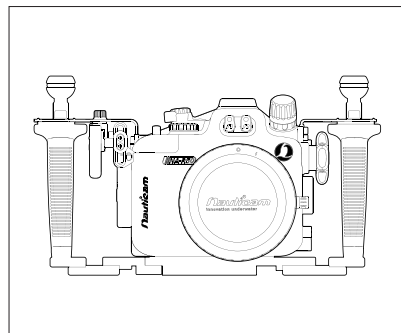


NA-R50

intergrated flat port with bayonet mount

(1 x Housing Cap, 2 x Plugs for Optical Fiber Mount)

17340P NA-R50 Housing Pro Package



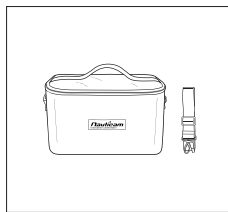
NA-R50 Pro

intergrated flat port with bayonet mount

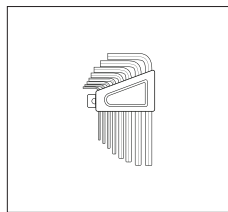
(Flexitray Right & Left Handles, 2 x Plugs for Optical Fiber Mount, 2 x Mounting Balls,

1 x Shutter Release Extension, 1 x M16 Vacuum Valve II, 2 x Stainless Steel Handle

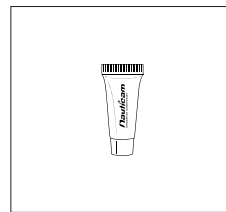
Brackets, 1 x Housing Cap)



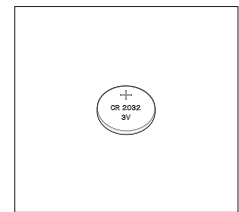
Padded Travel Case



Allen key set

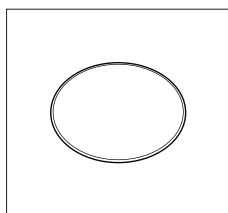


Lubricant

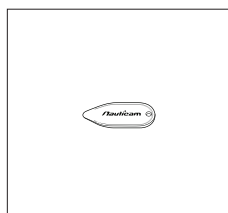


Panasonic CR2032 Battery

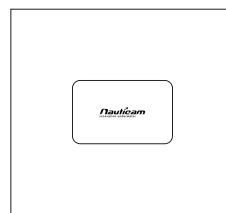
(pre-installed for Moisture Alarm)



Spare Silicone Rubber
O-ring #90131



O-ring Remover



Manual Instruction
Card

After purchase, we suggest that you reuse all packaging materials for future travelling.

IMPORTANT INSTRUCTIONS

1

Water-tight test of the housing (without camera inside) before usage is recommended as well as any O-ring renewal and port change.

2

Do not seal the housing when travelling by air as this may lead to a pressure difference between the atmosphere and inside the housing.

3

Only the accessories specified by Nauticam must be used. Third-party accessories may result in malfunctions or damage to the product.

4

Use only Nauticam lubricant on silicone rubber O-ring.

5

Do not stretch any O-rings excessively. Only remove it using Nauticam O-ring remover.



6

Discontinue use immediately when there is a sign of leakage.

7

Do not attempt to remove parts of the housing yourself. Repairs must be done at authorized service centers only.

8

The housing should be positioned on a stable and safe surface on land.

9

Do not expose the housing in direct sunlight for a prolonged period.

10

Do not open the housing in wet or sandy environment. Protect the housing from moisture and debris in order to prevent malfunction or leakage.

11

Prevent any sand or dust or water penetration inside the housing. Be extra careful when changing lens and inserting or removing the camera.

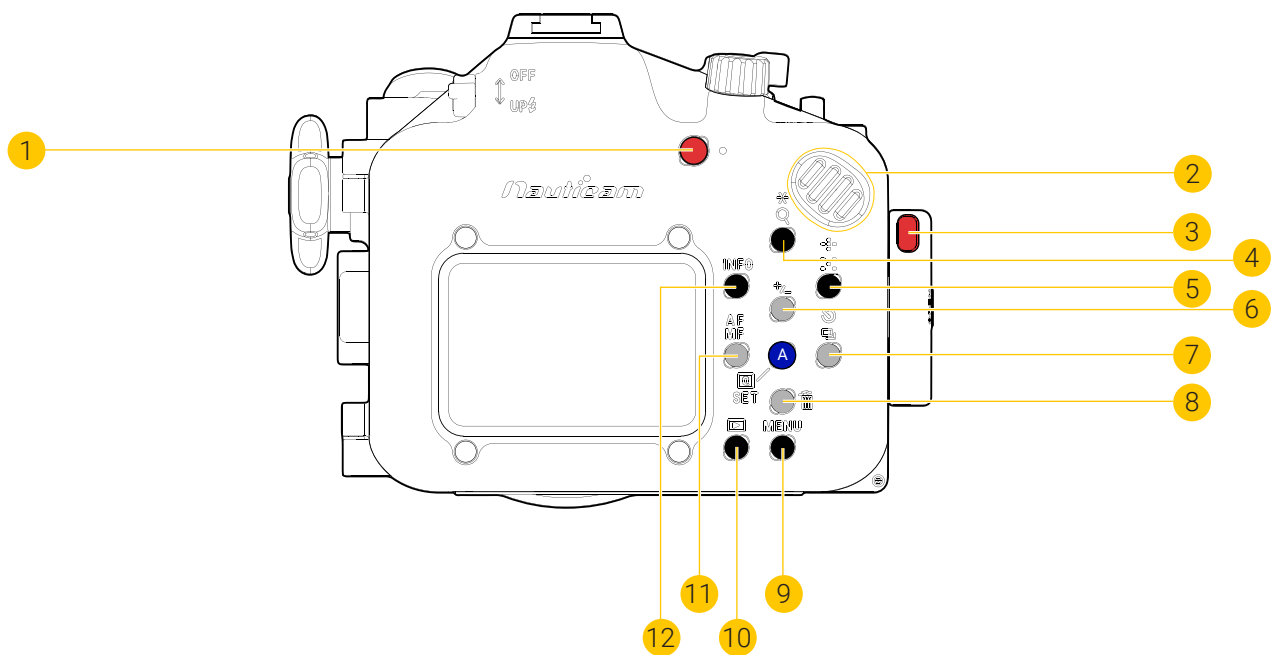


12

This product is not intended for use by children, or persons with reduced physical, sensory or mental capabilities, or lack of experience and knowledge, unless they are supervised and/or given instruction by a responsible person concerning use of the product to ensure that they can use it safely.

PART NAMES AND FUNCTIONS

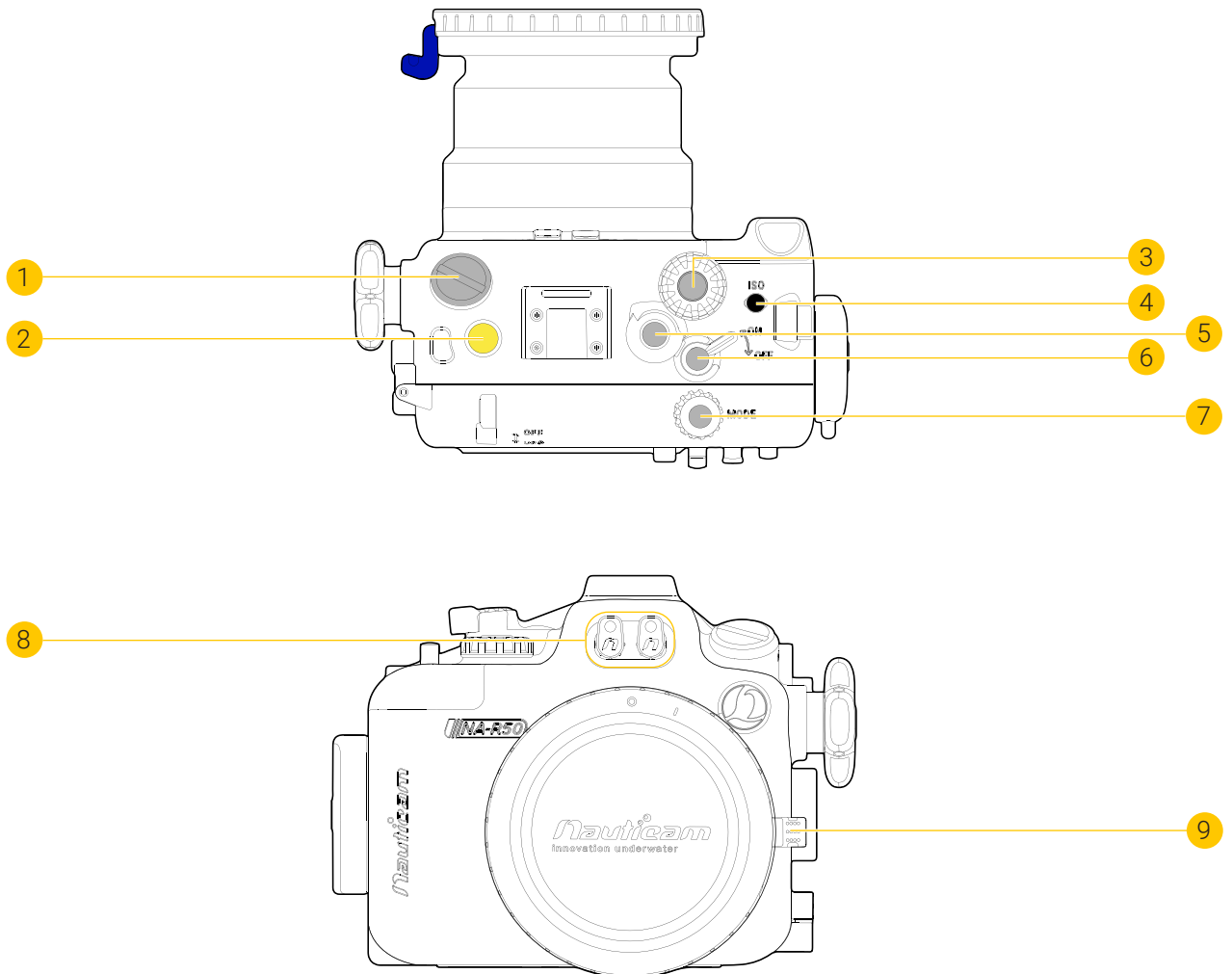
Rear View



- | | | | |
|----|------------------------------------|----|---------------------------------|
| 1 | REC button | 2 | Thumb position |
| 3 | Housing unlock button | 4 | AE lock/FE lock/Magnify button |
| 5 | AF point/index/reduce button | 6 | Up/exposure compensation button |
| 7 | Right/self-timer/drive mode button | 8 | Down/erase button |
| 9 | Menu button | 10 | Playback button |
| 11 | Left/AF/MF button | 12 | Info button |
| A | Quick control/set button | | |

PART NAMES AND FUNCTIONS

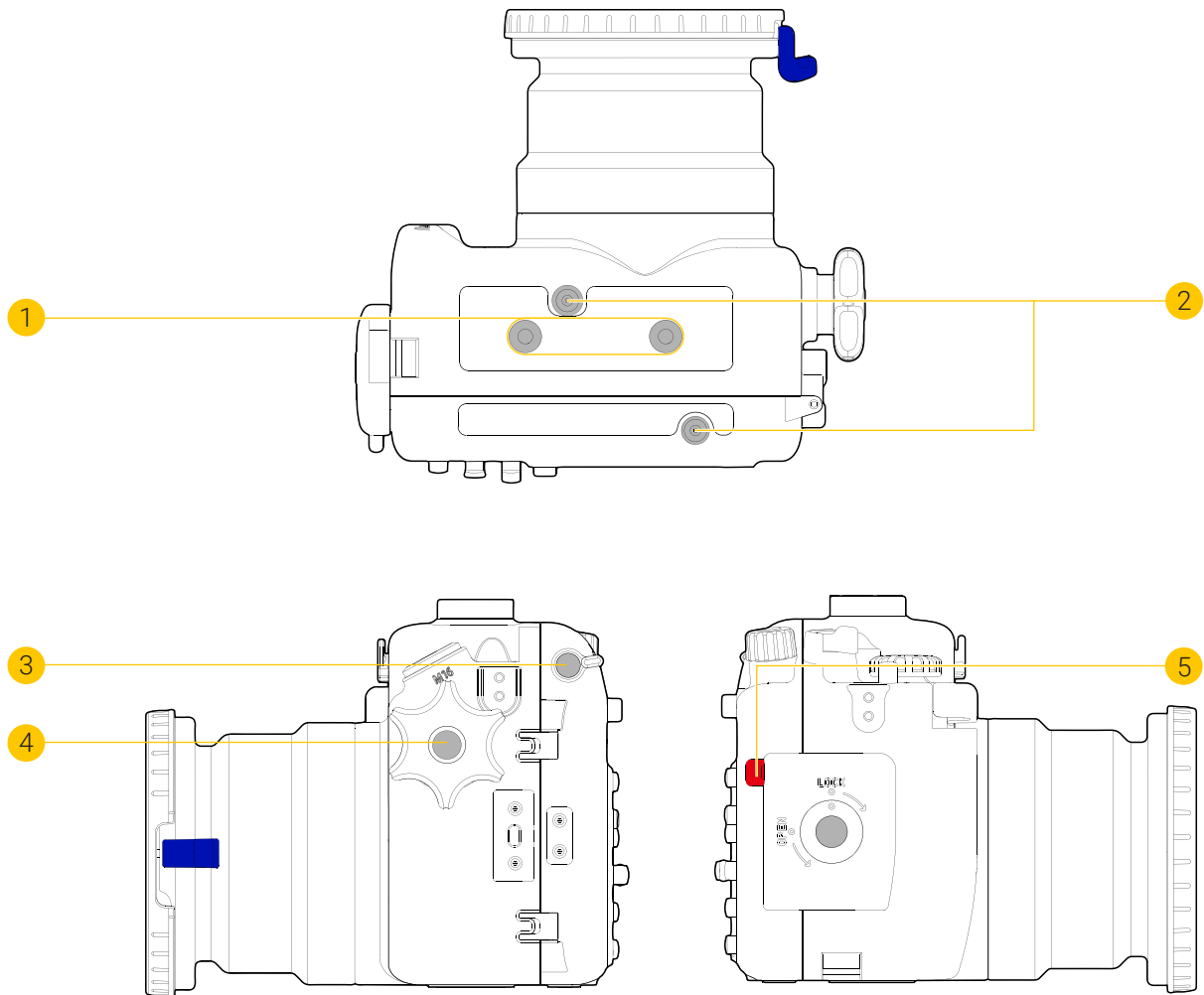
Top + Front Views



- | | | | |
|---|---------------------------------|---|--------------------------------|
| 1 | M16 Accessory port | 2 | Moisture alarm window |
| 3 | Front dial | 4 | ISO button |
| 5 | M10 threaded hole | 6 | Main switch |
| 7 | Mode dial | 8 | Optical fiber cable connection |
| 9 | Bayonet mount II release button | | |

PART NAMES AND FUNCTIONS

Back + Side Views



1 1/4" Threaded tripod holes

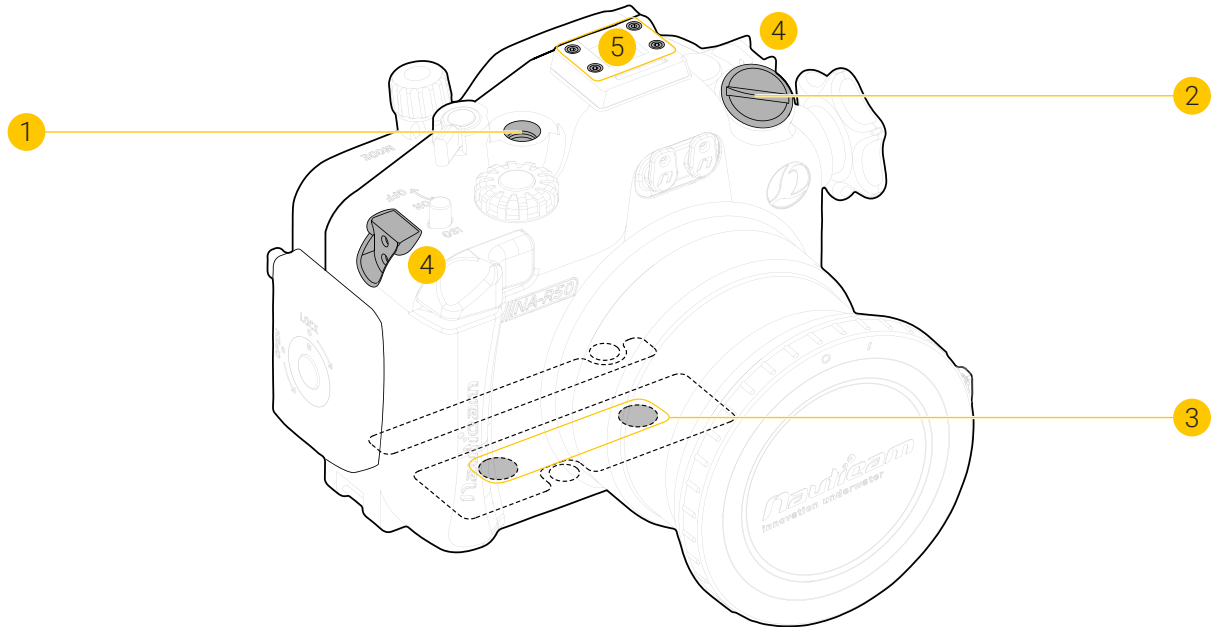
3 Flash On/Off switch

5 Housing unlock button

2 Sacrificial zinc anodes

4 Zoom/Focus knob

HOUSING MOUNT



Housing mount

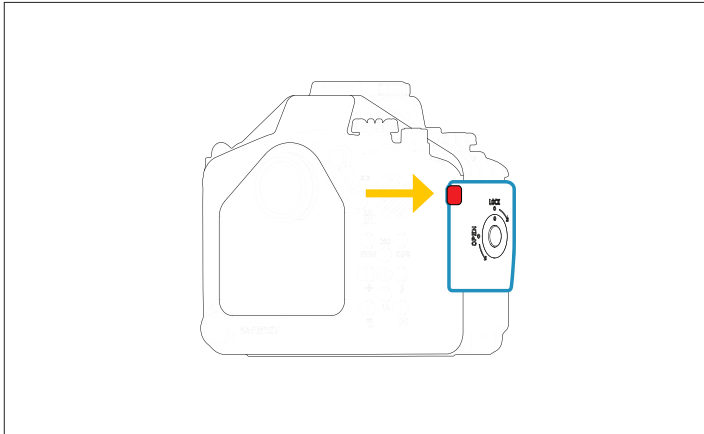
Compatible accessories

<p>1 M10 Accessory port</p>	<p>25221 M10 Strobe mounting ball 25224 M10 Strobe mounting ball with hole</p>
<p>2 M16 Accessory port</p>	<p>25625 M16 Vacuum Valve II 25627 M16 Offset connector with vacuum valve II 25033 Standard HDMI bulkhead for HDMI 1.4 25076 HDMI D-D cable in 200mm length</p>
<p>3 1/4" -20 mounting threads</p>	<p>17954 Universal tripod plate 17960 Universal Quadra-Pod Plate for Nauticam Housings</p>
<p>4 Hand straps and housing tray</p>	<p>71206 Easitray II with left handle 71207 Flexitray plate II W with left handle 71208 Adjustable right handle II 71209 Flexitray plate II W with left handle 36316 Hand strap for Mirrorless IL camera & compact camera housing (Standard) 36323 Long hand strap for Mirrorless IL camera & compact camera housing</p>
<p>5 Cold shoe</p>	<p>25311 Strobe mounting ball for cold shoe</p>

OPENING THE HOUSING

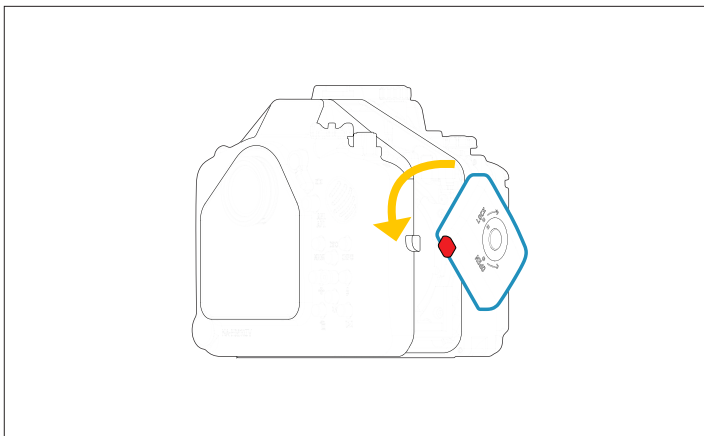
* drawings as illustrations only

1



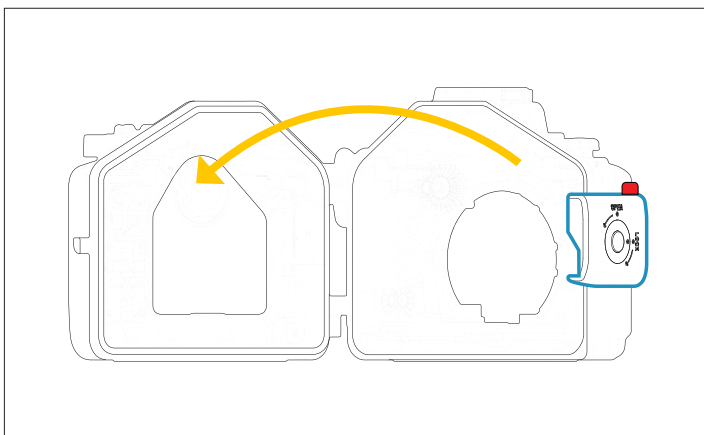
depress housing unlock button

2



turn housing lock latch
anti-clockwise to open the
housing

3

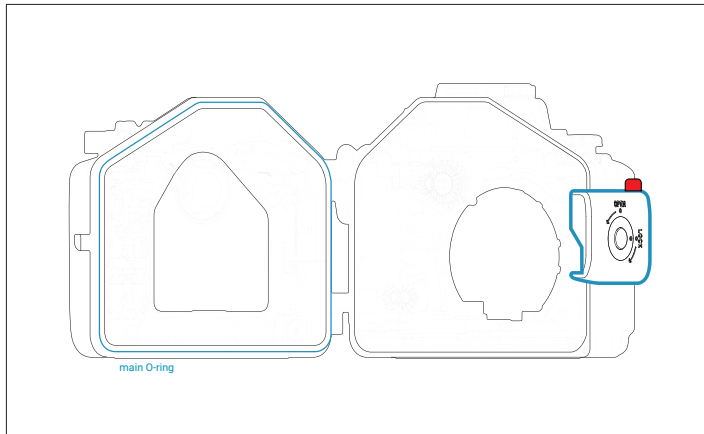


flip open the back housing
when lock latch is aligned to
'open' position

CLOSING THE HOUSING

* drawings as illustrations only

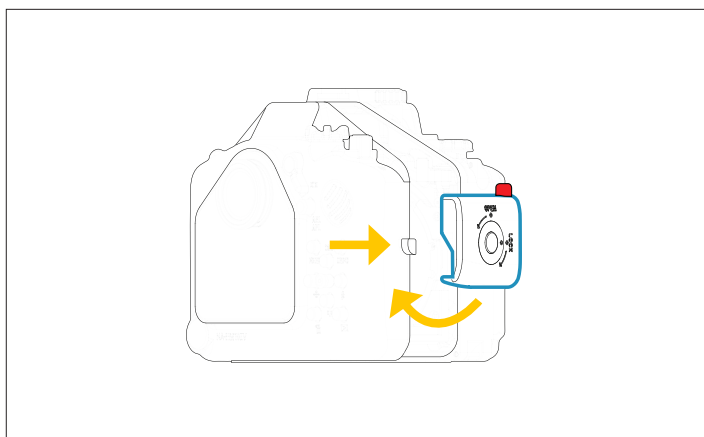
1



before closing the housing, clean and lubricate the main O-ring

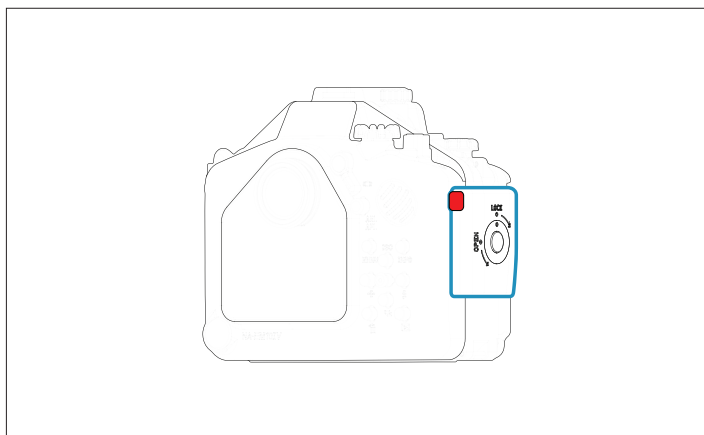
make sure nothing is caught between front and back housing and that they are fully aligned before locking

2



insert the housing shaft into the shaft hole and then rotate the lock latch clockwise until you hear and feel it click into place

3



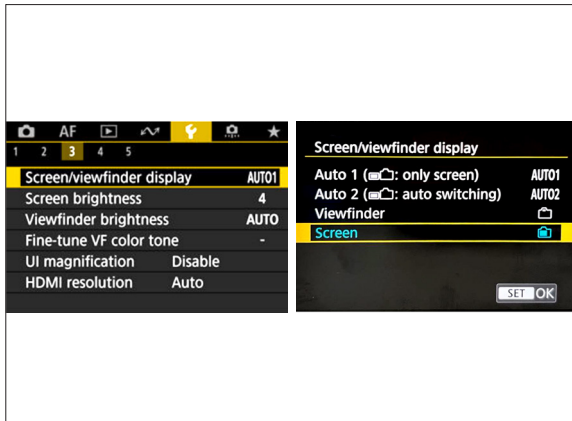
housing locked in place securely

PREPARATION FOR USE

* drawings as illustrations only

Installing the Camera

1

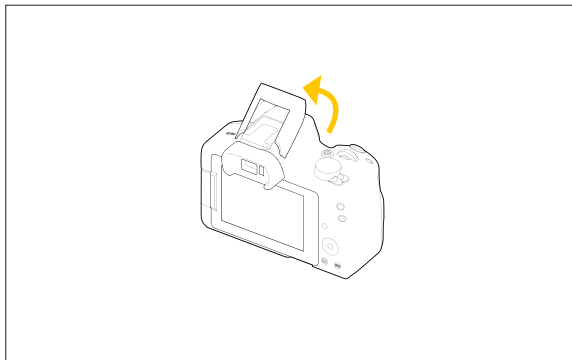


Please follow the below camera manual settings before installing the camera :

Screen/viewfinder display --- Screen

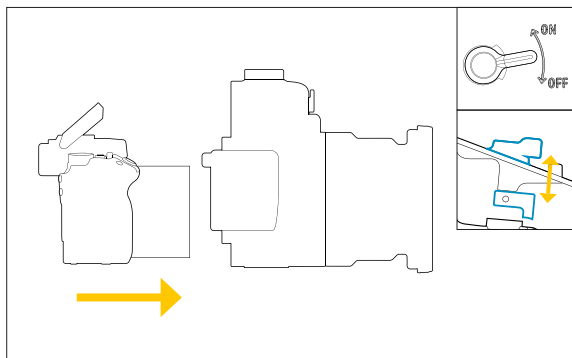
- **AUTO1: Auto 1 (📺: only screen)**
Always use the screen for display when it is open.
Use the screen for display when it is closed and facing you, and switch to the viewfinder when you look through it.
- **AUTO2: Auto 2 (📺: auto switching)**
Use the screen for display when it is closed and facing you, and switch to viewfinder display when you look through the viewfinder.
- 📺: **Viewfinder**
Always use the viewfinder for display.
- 📺: **Screen**
Always use the screen for display when it is open.

2



Lift up the camera flash

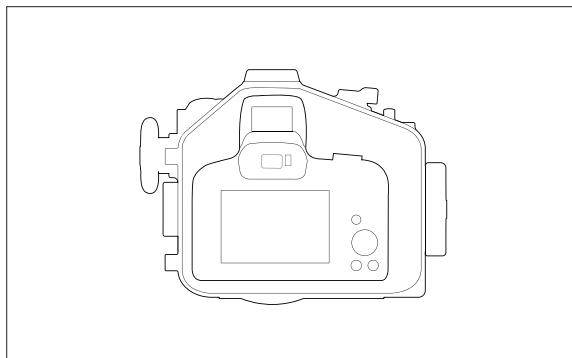
3



- * lift up the ON/LOCK/OFF lever each time before installing the camera
- * make sure the ON/LOCK/OFF lever is aligned with camera control before sliding the camera into the housing

Place the camera into the housing

4

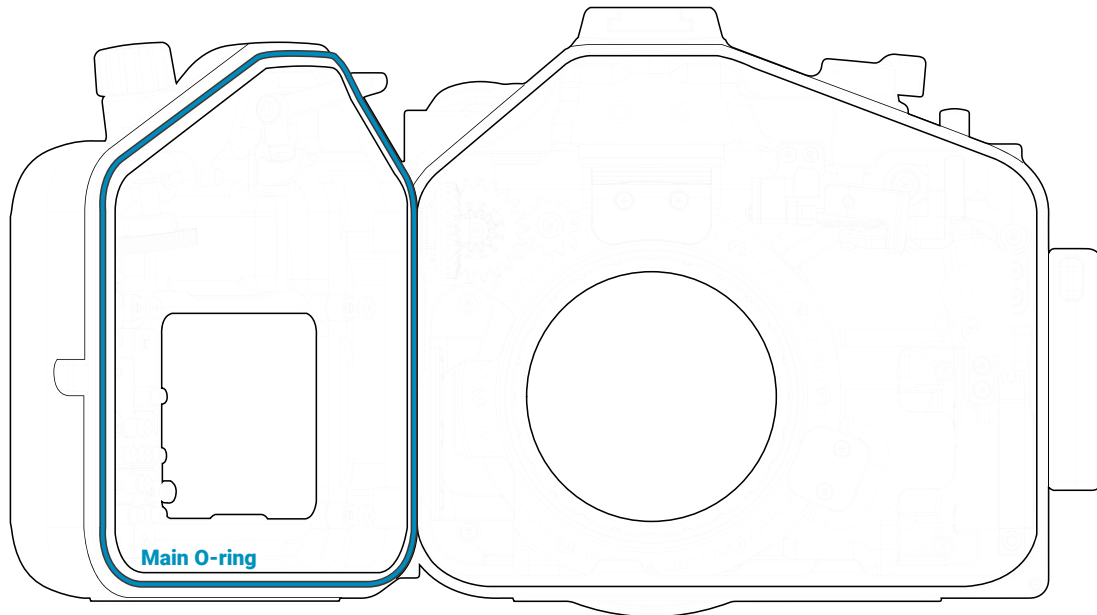


Press down the ON/LOCK/OFF lever and make sure it is aligned with camera control

PREPARATION FOR USE

* drawings as illustrations only

Coating housing O-ring



- 1
remove the main O-ring using an O-ring remover

- 2
clean the O-ring groove with a cloth and ensure that it is free from salt or other foreign materials

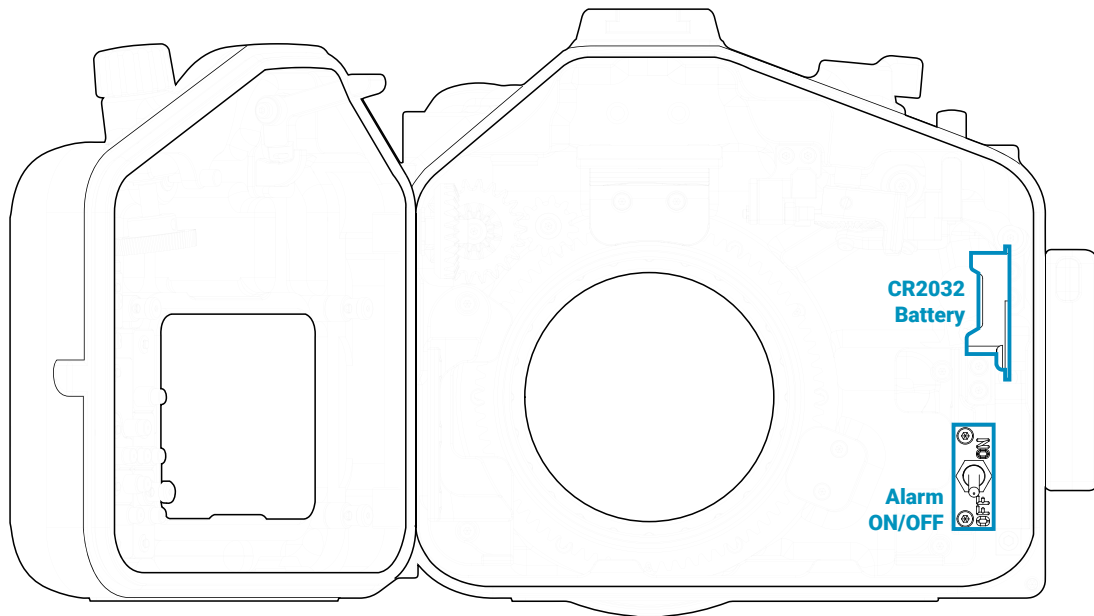
- 3
lightly coat it with provided lubricant

- 4
return the main O-ring by slowly pressing from one corner to the whole perimeter

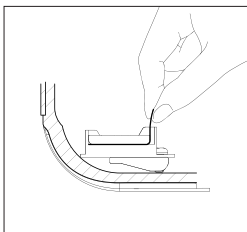
PREPARATION FOR USE

* drawings as illustrations only

Setting up moisture alarm

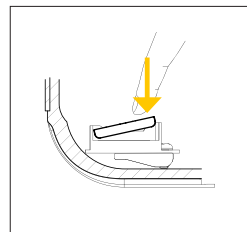


1



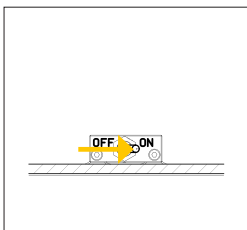
remove battery insulation film

2



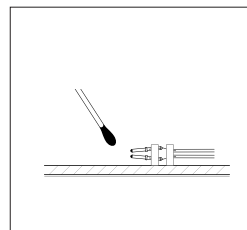
press the battery down until it click into place

3



switch on the alarm
- the moisture alarm window will flash in **BLUE** when it is working correctly

4



test the alarm
- connect the wires with a dampened cotton bud; the alarm will give a repeating 'beep' and the moisture alarm window will flash **RED**

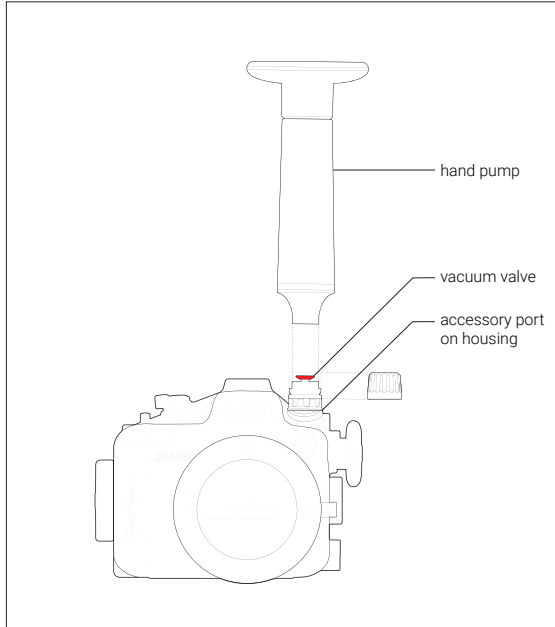
* please contact our authorized service centers if testing fails
* please refer to page 13 for complete vacuum system guidance

OPTIONAL ACCESSORY

* drawings as illustrations only

Vacuum valve system

1

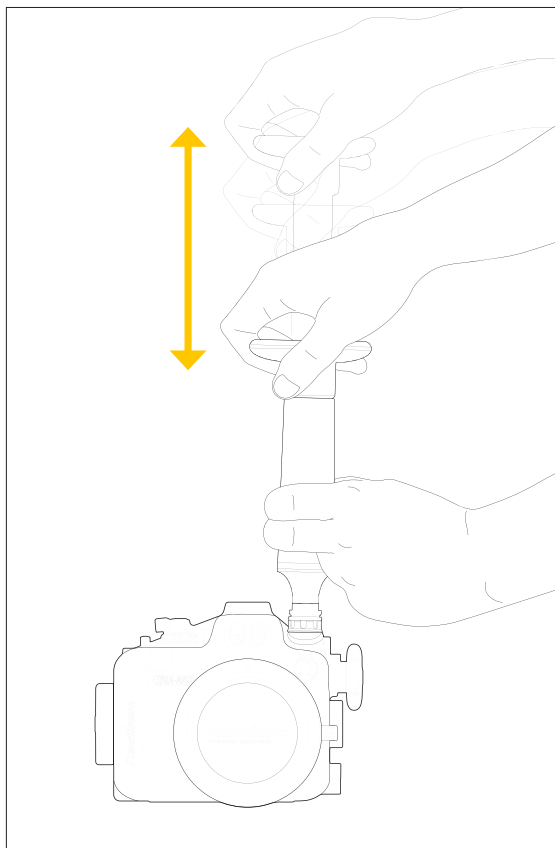


remove the plug of M16 accessory port from the housing

remove the cap from the vacuum valve

slightly lubricate the o-ring and tighten the vacuum valve to the housing with the tool provided








2



connect hand pump to the valve and pump several times until it reaches the target vacuum level

close vacuum valve cap

Moisture alarm window colour indication :

Steady Blue		device is turned on
Flashing Blue		standby mode, ready for pumping
Steady Green		target vacuum level is reached
Flashing Yellow		vacuum level is dropping
Flashing Red		vacuum is totally lost, circuit stalled until device is switched off
Alternating Blue and Red		vacuum is totally lost, circuit stalled until device is switched off
Steady Red		out of battery

** It is recommended to leave the housing for at least 20mins to ensure it is sealed. If the LED light changes from steady green light to rapidly flashing yellow light, that means there is a leakage and please check every O-ring and conduct a vacuum test again.*

CARE/STORAGE

1

Soak the housing system in fresh water after salt water usage

2

Operate all controls and buttons at least 3 times while immersed in fresh water

3

We recommend cleaning and inspecting the main O-ring each time after diving for any damage and every time the housing is opened.

4

Protect the housing with robust and shock-proof travel case during transportation. Do not travel with camera inside housing.

5

We recommend to ship the housing to our service centers for a complete overhaul after 500 dives/every 3 years.

WARRANTY

All NAUTICAM Housing Products and Viewfinders are warranted against any material and manufacturing defects for two years from the date of purchase for consumer use. NAUTICAM Optical Accessories are warranted against material and manufacturing defects for a period of one year, and HDMI cables carry a year warranty.

This warranty only applies to products purchased from authorized NAUTICAM dealers and does not extend beyond the original retail purchaser.

To return your product for service, please contact your regional authorized service center(s). Please note that this warranty only applies when the product is purchased in the territory where the service center is located.

NAUTICAM accepts no liability for any damage to and defects in the housing caused by improper use and/or poor maintenance; it is the responsibility of the owner to carefully follow the instructions in our manuals.

NAUTICAM does not hold responsibility for damage, of any nature, to any equipment used with and/or placed within our products.

NAUTICAM accepts no liability for any loss of captured images or the inability to capture images even if it is due to the malfunctioning of our products.

Unauthorized modifications and/or repairs of our products will automatically invalidate the warranty.

SPECIFICATIONS

Construction

Housing body	Hard Anodized Aluminium Alloy
Display window	Abrasion Resistant Polycarbonate

Dimensions

Width	238 mm
Height	150 mm
Depth	115 mm

Weight

Weight In air	1.3 kg
Buoyancy in water	negative 0.1kg (camera, battery, 18-45 lens)

Depth

Rating	100 m
--------	-------

Port specifications

Port Opening	Fixed flat port with bayonet mount
Port accessories	1 x M16, 1 x M10 threaded hole

Optional accessories

25625 M16 Vacuum Valve II (Pushbutton Release)
26216 Universal Optical Fiber Cable
25221 M10 strobe mounting ball for housing
25131 LCD Magnifier attachment rails for NA-RX100III/RX100IV/RX100V/RX100VI
25106 LCD Magnifier with Dioptic Adjustment
71206 Easitray II with left handle (with 2pcs 1/4" screws)
71207 Flexitray II with left handle (with 2pcs 1/4" screws)
71208 Adjustable right handle II (for Easitray II & Flexitray II)
71209 Flexitray plate II W with left handle (with 2 tripod holes)
36316 Hand strap for Mirrorless IL camera & compact camera housing (Standard)
36323 Long hand strap for Mirrorless IL camera & compact camera housing
25311 Strobe mounting ball for cold shoe
25321 Long strobe mounting ball for cold shoe
25312 Light mounting stem for cold shoe
25322 Long light mounting stem for cold shoe
25200 Compact/MIL Housing Shutter Release Extension

HDMI CONNECTION & MONITOR OPTIONS

HDMI connectivity required accessories (1.4)

25033 Standard HDMI bulkhead with M16 thread
25627 M16 Offset Connector with Vacuum Valve II (Pushbutton Release)
25076 HDMI (D-D) cable in 200mm length (for connection from HDMI Bulkhead to camera)
<i>* 25033 is included in 17923 and 17925 monitor housings</i>

Monitor options (1.4)

17922 Nauticam Atomos Ninja V Housing for Atomos Ninja V 5" (excl. HDMI 2.0 cable)
17923 NA-Shinobi-H Housing for Atomos Shinobi 5.2" 4K HDMI Monitor
17925 NA-503-H Housing for SmallHD 503 UltraBright On-Camera Monitor

WET LENS COMPATIBILITY

** please refer to Nauticam port charts for more setup information*

Macro	81301 CMC-1 (Max. Mag: 0.8X, Working Distance: 44-81mm)
	81302 CMC-2 (Max. Mag: 0.6X, Working Distance: 68-140mm)
<i>* 83214 Bayonet mount Adaptor for SMC/CMC is required for use with CMC-1/2</i>	
Macro to Wideangle	86201 Macro to Wideangle Lens 1 (MWL-1, 150 deg. FOV with full frame 60mm macro lens)
Wideangle	83202 WWL-1B, Lens FOV 75-35°, Converted FOV 130-60°, Zoom Range 18-45mm <i>* Most recommended</i>
	83203 WWL-C, Lens FOV 75-35°, Converted FOV 116-52°, Zoom Range 18-45mm

Nauticam Internationl Ltd.

Rm 2203, CCT Telecom Bldg,
11 Wo Shing St,
Fo Tan,
Hong Kong

Tel. +852 - 26902711
Fax. +852 - 26909778
URL. www.nauticam.com
Gallery. www.nauticam.smugmug.com