

NA - A6700

For Sony A6700 Mirrorless Camera

PN 17435

User Manual

Housing

APS-C- MIL

Introduction	2
Package Contents	2
Important Instructions	3
Part Names and Functions	4
Housing Mount	7
Opening the housing	8
Closing the housing	9
Preparation for Use	10
Optional Accessories	15
Care/Storage	16
Warranty	17
Specifications	18

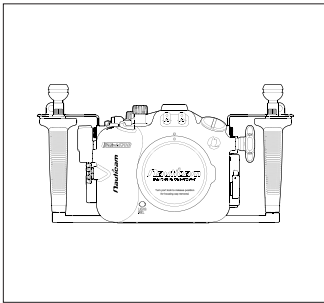
INTRODUCTION

Thank you for purchasing this Nauticam product.

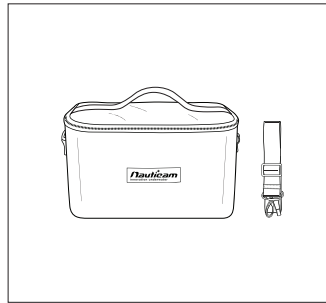
Before using the product, please read this manual thoroughly to familiarize yourself with full scope of functions on the product as well as ensuring that you will use the product correctly.

PACKAGE CONTENTS

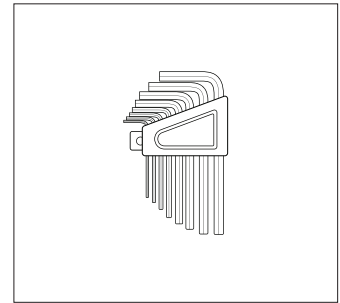
Make sure that you have all the included items listed below before using this product. If some items are missing or damaged, contact your local Nauticam dealer.



NA-6700
(2x Plugs for Optical Fiber Cable Mount, 1 x Housing Cap, 2x Handles with Mounting Balls, 2x Handle Brackets)



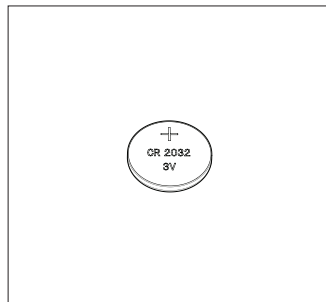
Padded Travel Case
#36333



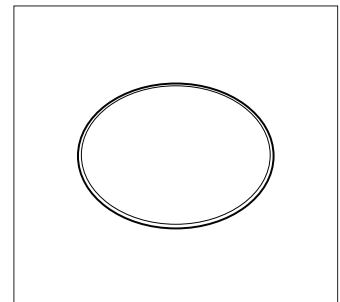
Allen key set



Lubricant

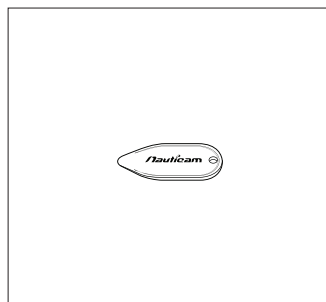


Panasonic CR2032 Battery
(Pre-installed for Moisture Alarm)

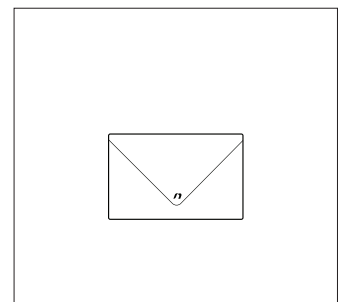


Spare Main O-ring
#90133

After purchase, we suggest that you reuse all packaging materials for future travelling.



O-ring Remover



Manual Instruction Card

IMPORTANT INSTRUCTIONS

1

Water-tight test of the housing (without camera inside) before usage is recommended as well as any O-ring renewal and port change.

2

Do not seal the housing when travelling by air as this may lead to a pressure difference between the atmosphere and inside the housing.

3

Only the accessories specified by Nauticam must be used. Third-party accessories may result in malfunctions or damage to the product.

4

Use only Nauticam lubricant on silicone rubber O-ring.

5

Do not stretch any O-rings excessively. Only remove it using Nauticam O-ring remover.



6

Discontinue use immediately when there is a sign of leakage.

7

Do not attempt to remove parts of the housing yourself. Repairs must be done at authorized service centers only.

8

The housing should be positioned on the a stable and safe surface on land.

9

Do not expose the housing in direct sunlight for a prolonged period.

10

Do not open the housing in wet or sandy environment. Protect the housing from moisture and debris in order to prevent malfunction or leakage.

11

Prevent any sand or dust or water penetration inside the housing. Be extra careful when changing lens and inserting or removing the camera.

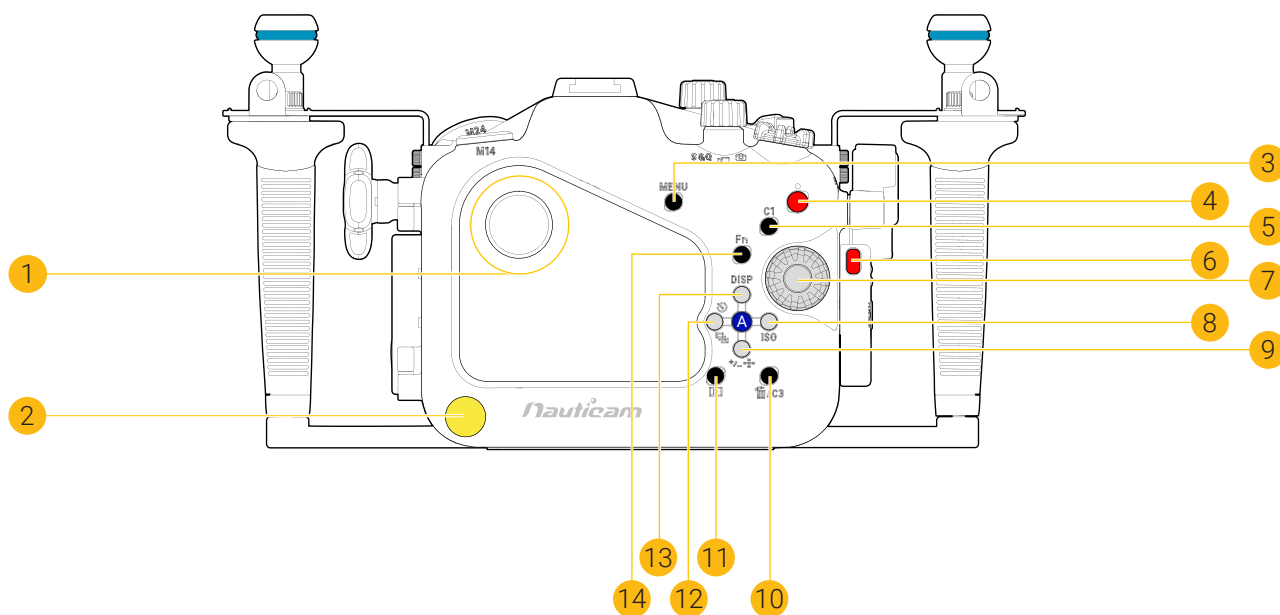


12

This product is not intended for use by children, or persons with reduced physical, sensory or mental capabilities, or lack of experience and knowledge, unless they are supervised and/or given instruction by a responsible person concerning use of the product to ensure that they can use it safely.

PART NAMES AND FUNCTIONS

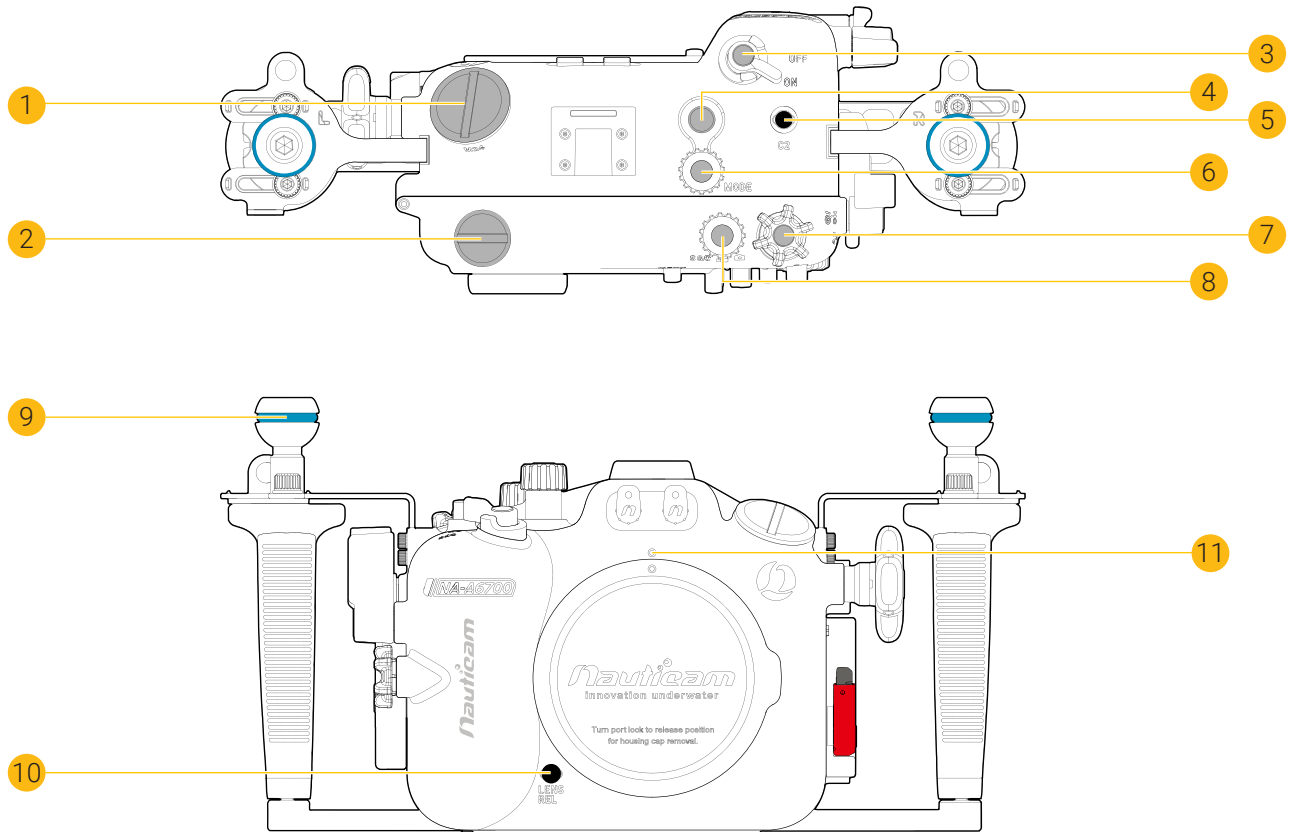
Rear View



- | | | | |
|----|------------------------------|----|------------------------------|
| 1 | Viewfinder | 2 | Moisture alarm window |
| 3 | Menu button | 4 | REC button |
| 5 | C1 button | 6 | Housing unlock button |
| 7 | Quick control dial 1 | 8 | ISO button |
| 9 | Exposure compensation button | 10 | Delete/C3 button |
| 11 | Playback button | 12 | Self-timer/Drive mode button |
| 13 | Display button | 14 | Fn button |
| A | Menu/Set button | | |

PART NAMES AND FUNCTIONS

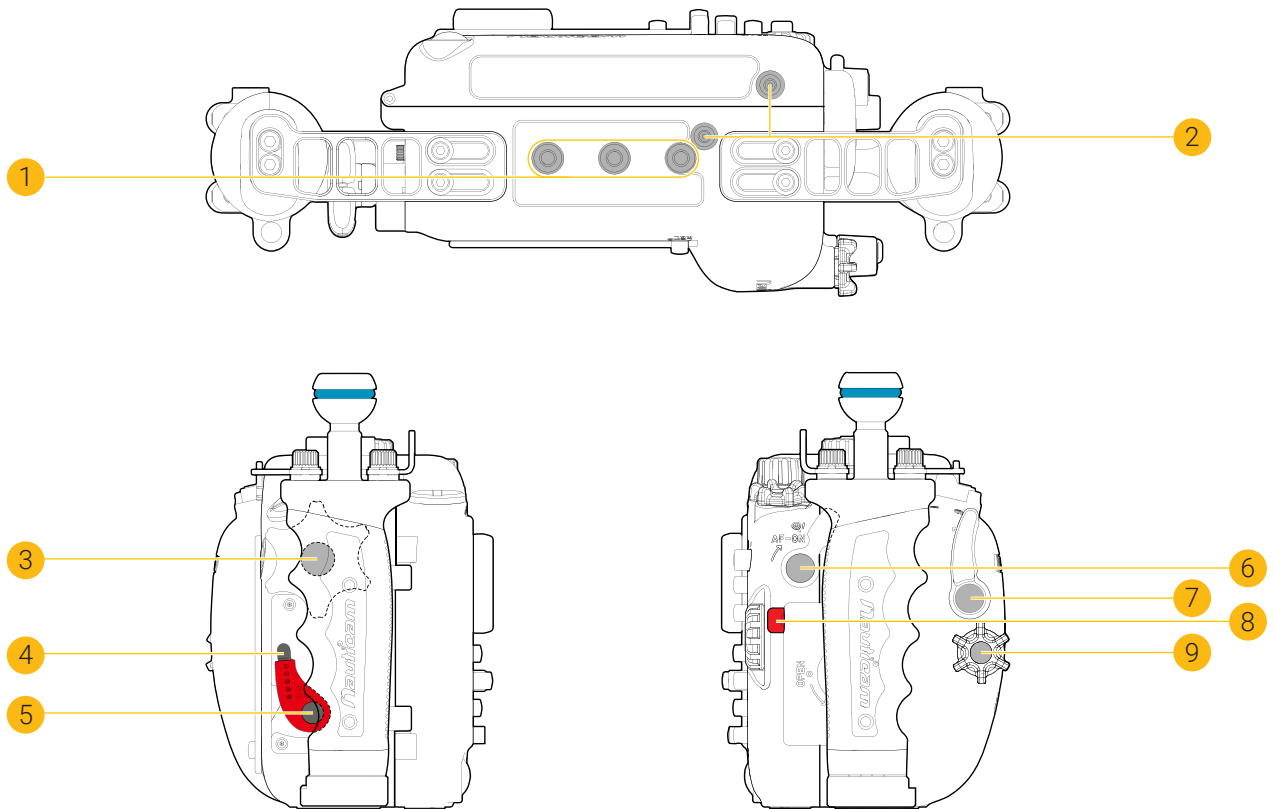
Top + Front Views



- | | | | |
|----|-------------------------|----|-----------------------|
| 1 | M24 Accessory port | 2 | M14 Accessory port |
| 3 | Main switch | 4 | M10 Accessory port |
| 5 | C2 button | 6 | Mode dial |
| 7 | Rear dial | 8 | Still/Movie/S&Q lever |
| 9 | Accessory mounting ball | 10 | Lens release button |
| 11 | Port index mark | | |

PART NAMES AND FUNCTIONS

Back + Side Views



1 1/4" Threaded tripod holes

3 Zoom/Focus knob release

5 Port lock lever

7 Shutter release lever

9 Front dial

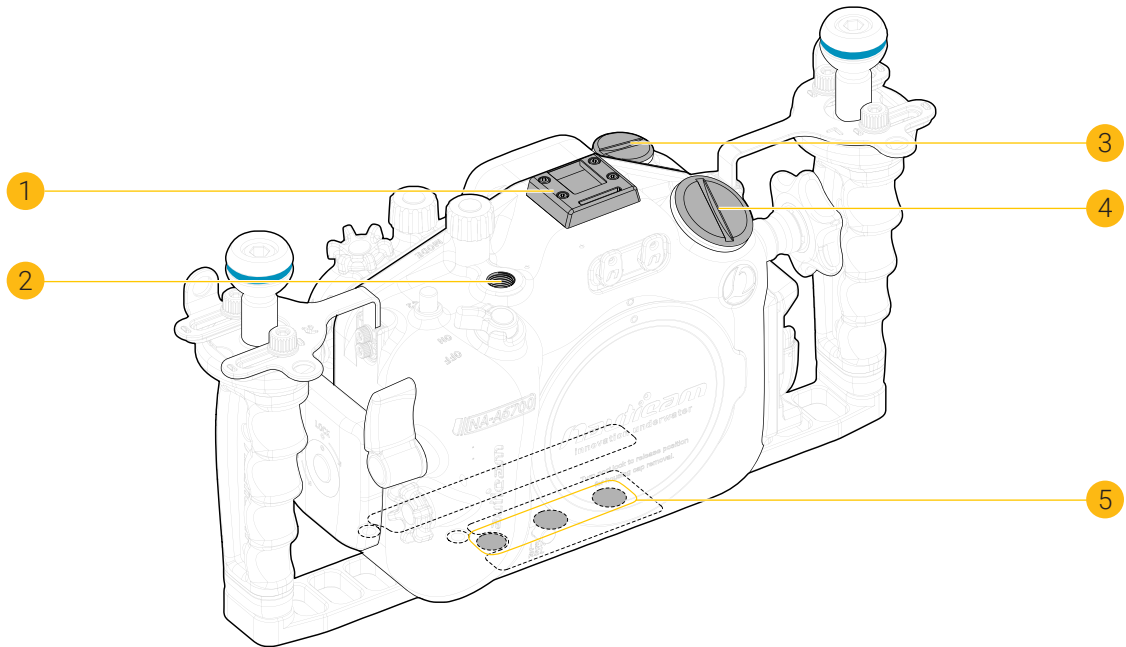
2 Sacrificial zinc anodes

4 Port lock safety button

6 AF-ON/Enlarge lever

8 Housing unlock button

HOUSING MOUNT



Housing mount

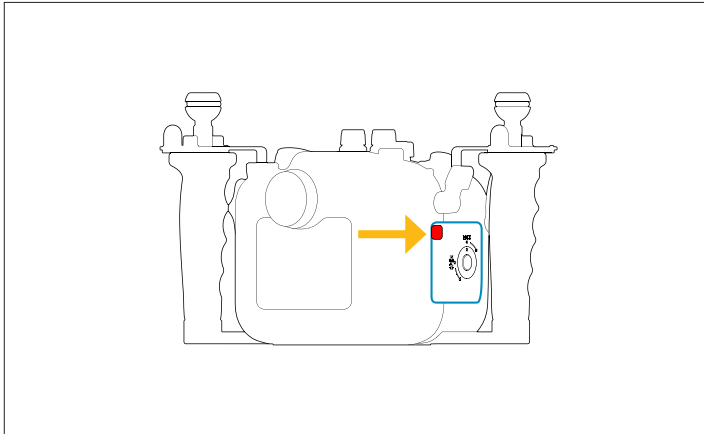
Compatible accessories

<p>1 Cold Shoe</p>	<p>25311 Strobe Mounting Ball for Cold Shoe 25312 Light Mounting Stem for Cold Shoe 25321 Long Strobe Mounting Ball for Cold Shoe 25322 Long Light Mounting Stem for Cold Shoe</p>	
<p>2 M10 Accessory port</p>	<p>25221 M10 Strobe Mounting Ball</p>	
<p>3 M14 Accessory port</p>	<p>25624 M14 Vacuum Valve II</p>	
<p>4 M24 Accessory port</p>	<p>25086 M24 Adaptor for HDMI 2.0 Cable 25xxx M24D2R200-M28A1R170 HDMI 2.0 Cable (TBC) 25081 M24 to M16 Step Down Adaptor 25032 Custom HDMI Bulkhead to use with Socket Extension 25046 HDMI (D-D) Cable in 200mm Length 25028 Socket Extension for 25032 HDMI Bulkhead with M16 Thread</p>	<p>HDMI 2.0</p> <p>HDMI 1.4</p>
<p>5 1/4" -20 Mounting threads</p>	<p>17954 Universal Tripod Plate 17960 Universal Quadra-pod Plate</p>	

OPENING THE HOUSING

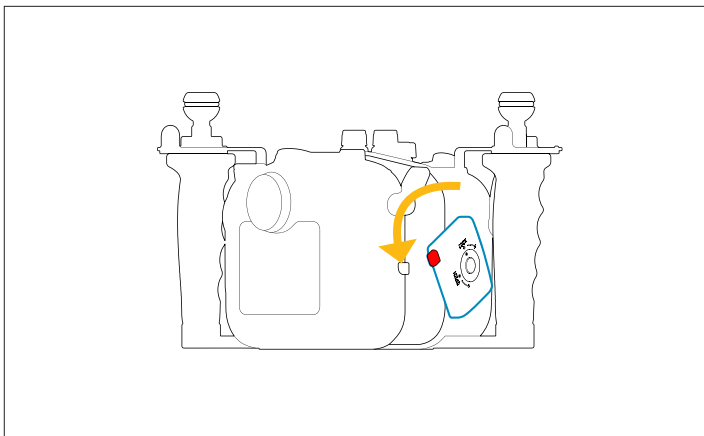
* drawings as illustrations only

1



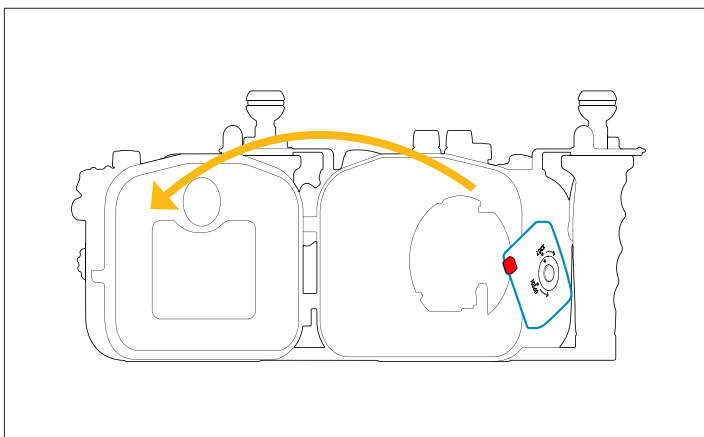
depress housing unlock button

2



turn housing lock latch
anti-clockwise to open the
housing

3

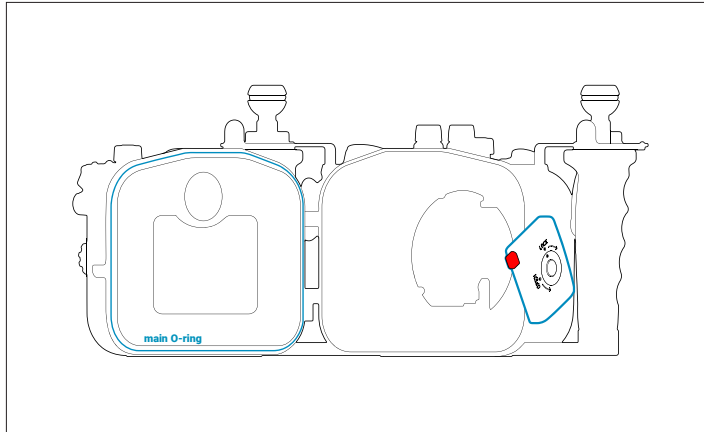


flip open the back housing
when lock latch is aligned to
'open' position

CLOSING THE HOUSING

* drawings as illustrations only

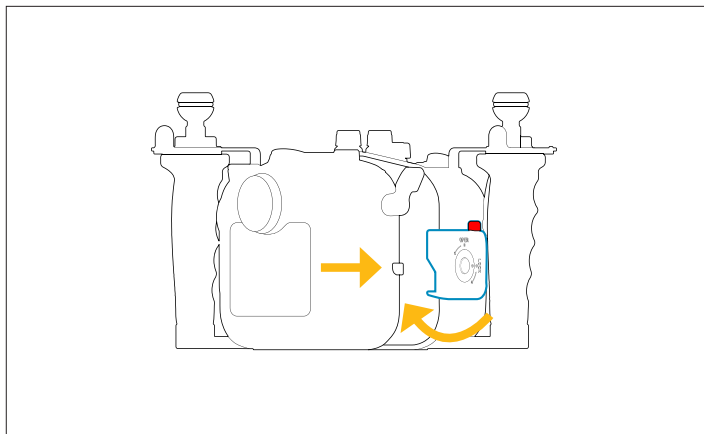
1



before closing the housing, clean and lubricate the main O-ring

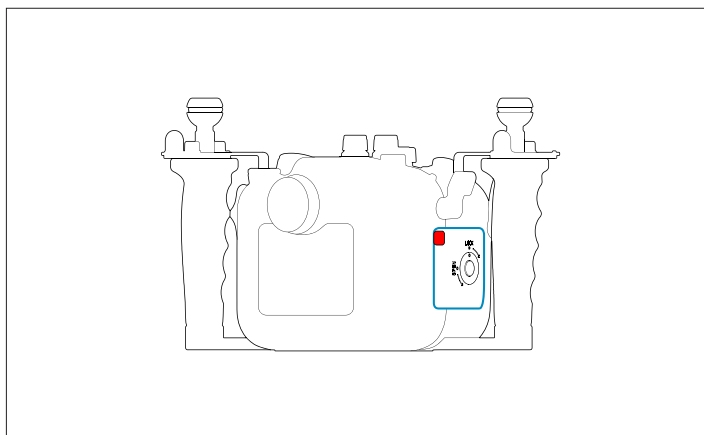
make sure nothing is caught between front and back housing and that they are fully aligned before locking

2



insert the housing shaft into the shaft hole and then rotate the lock latch clockwise until you hear and feel it click into place

3



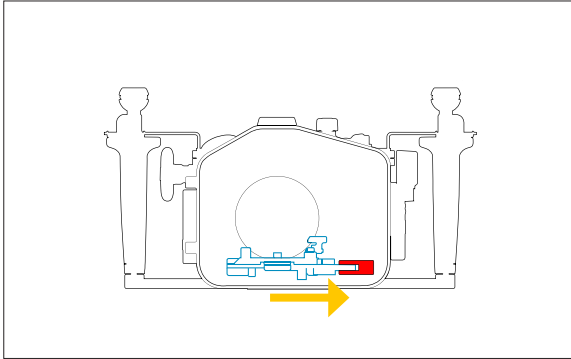
housing locked in place securely

PREPARATION FOR USE

* drawings as illustrations only

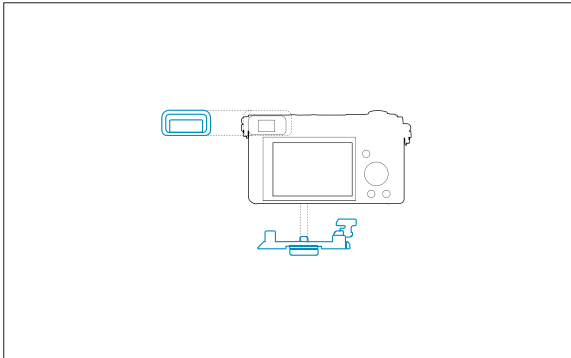
Installing the Camera - housing tray attachment

1



unlock camera tray lever and
remove the tray from the housing

2

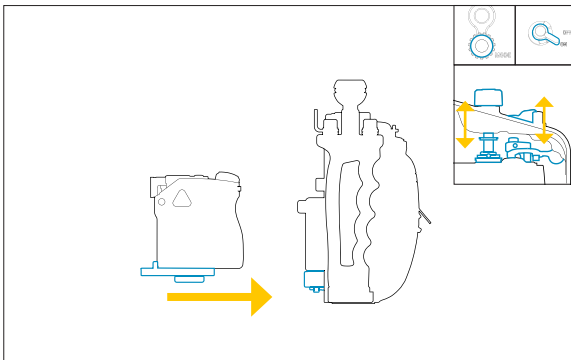


remove the eye piece before
installing into the housing

attach the camera tray by tightening
the tray screw into the tripod socket
of the camera

place the actuator on the camera
tray in place and make sure it is
engaged with the camera

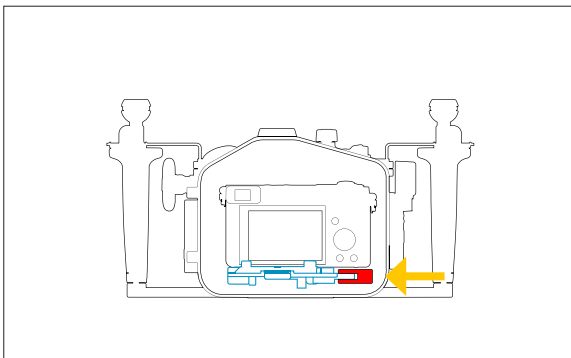
3



** lift up the Mode dial as well as the
ON/OFF lever before installing the
camera into housing*

slide the camera tray back into the
housing along the tray rail

4



lock camera tray

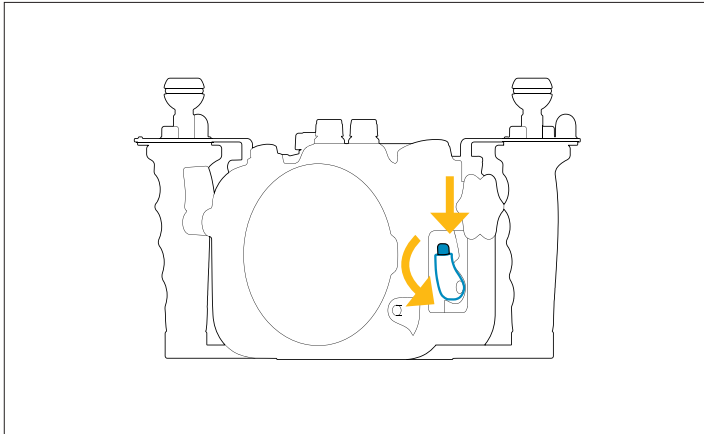
**gently push the Mode dial and ON/OFF
lever downwards to make sure it is engaged
with the lever on the camera*

PREPARATION FOR USE

* drawings as illustrations only

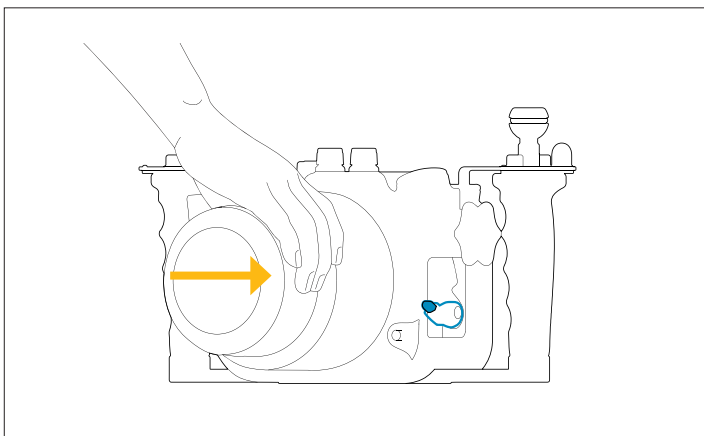
Port Mounting

1



depress port lock safety button and rotate anti-clockwise

2

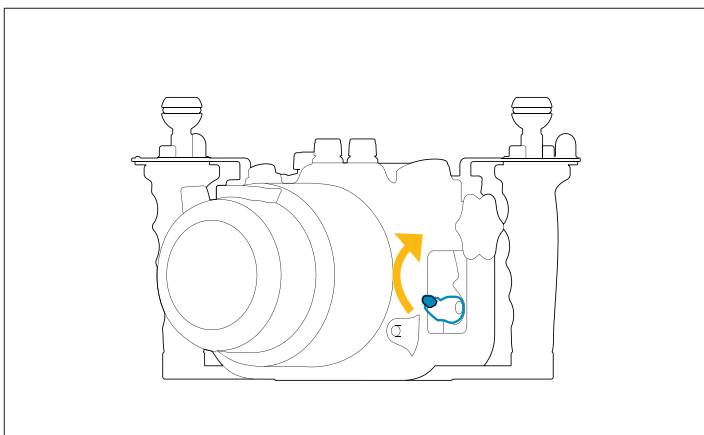


lubricant the port O-ring before mounting

align index mark

push port assembly straight in

3

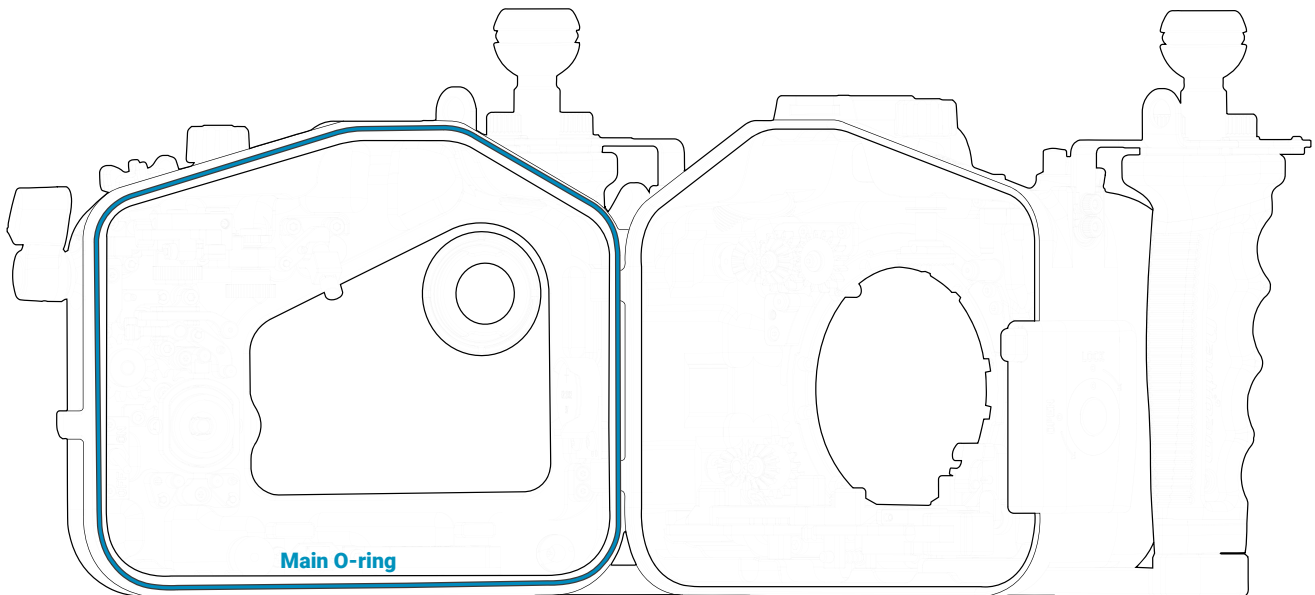


rotate locking lever clockwise to lock

PREPARATION FOR USE

* drawings as illustrations only

Coating housing O-ring



- 1
remove the main O-ring using an O-ring remover

- 2
clean the O-ring groove with a cloth and ensure that it is free from salt or other foreign materials

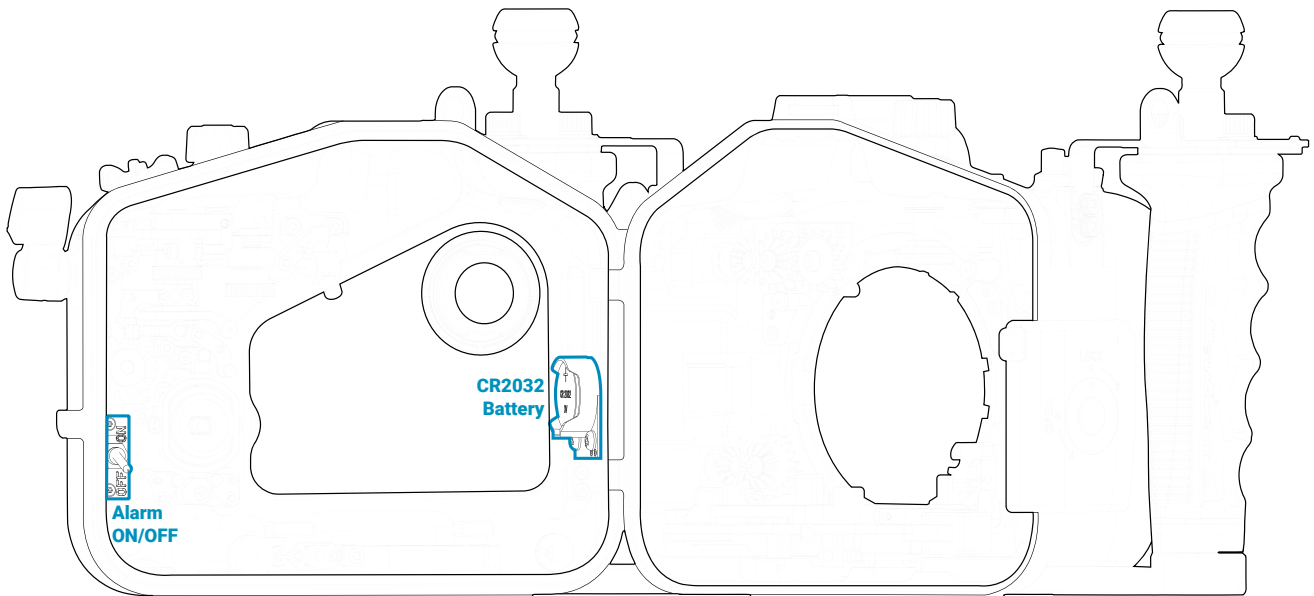
- 3
lightly coat it with provided lubricant

- 4
return the main O-ring by slowly pressing from one corner to the whole perimeter

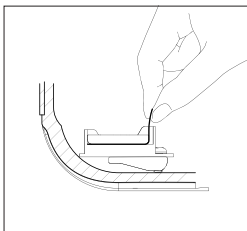
PREPARATION FOR USE

* drawings as illustrations only

Setting up moisture alarm

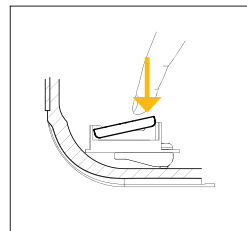


1



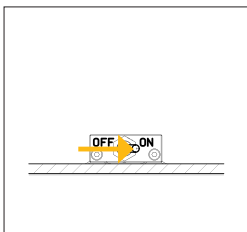
remove battery insulation film

2



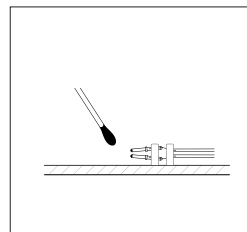
press the battery down until it click into place

3



switch on the alarm
- the moisture alarm window will flash in **BLUE** when it is working correctly

4



test the alarm
- connect the wires with a dampened cotton bud; the alarm will give a repeating 'beep' and the moisture alarm window will flash **RED**

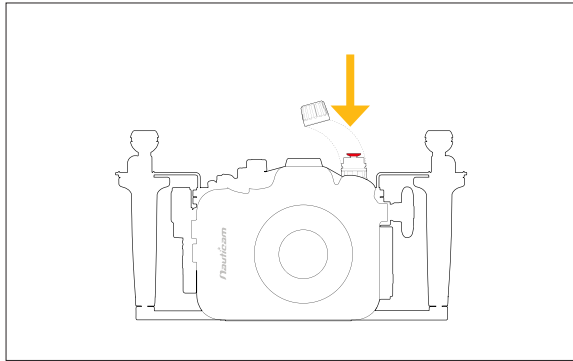
* please contact our authorized service centers if testing fails
* please refer to page 15 for complete vacuum system guidance

PREPARATION FOR USE

* drawings as illustrations only

Changing lens/port without opening the housing

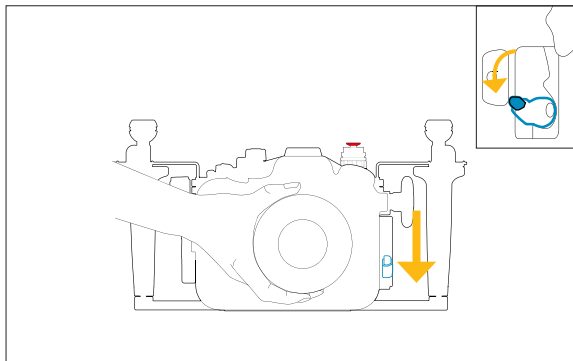
1



If using with vacuum valve :
remove the cap from the vacuum valve and press the red button to release pressure before unlocking port lock

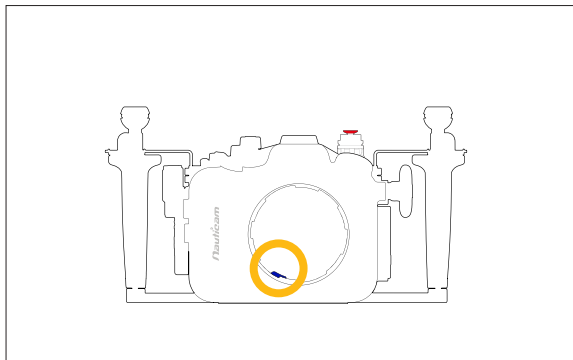
If using without vacuum valve,
please follow from step 2

2



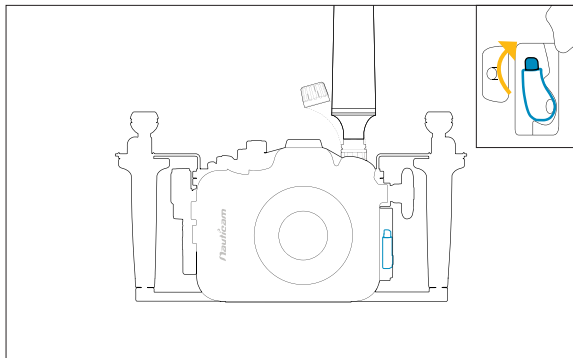
unlock port lock and remove port assembly

3



press the blue button to reset vacuum alarm before replacing port

4



replace port assembly

then reset vacuum valve system using hand pump and close the cap after

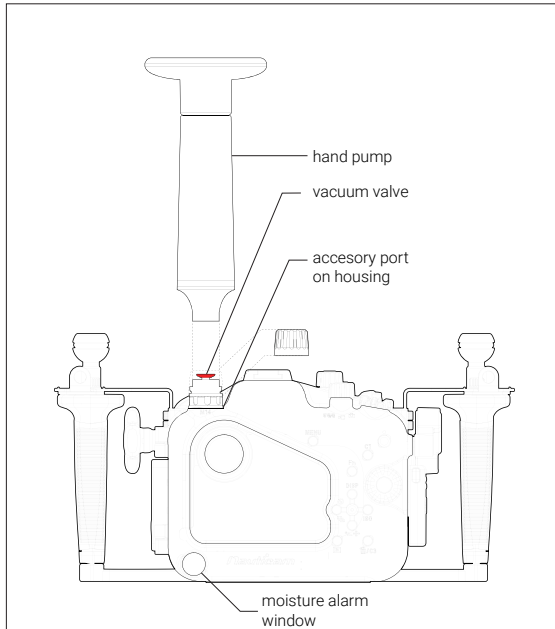
* please refer to page 15 on complete vacuum system guidance

OPTIONAL ACCESSORIES

* drawings as illustrations only

Vacuum valve system

1



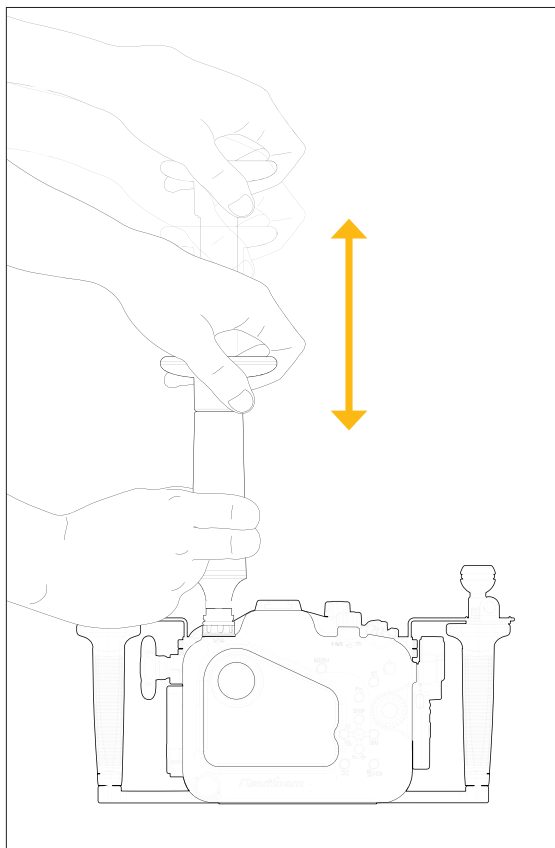
remove the plug of M14 accessory port from the housing

remove the cap from the vacuum valve

slightly lubricate the o-ring and make sure the o-ring is in place

then tighten the vacuum valve to the housing with the tool provided

2



connect hand pump to the valve and pump several times until it reaches the target vacuum level

close vacuum valve cap

Moisture alarm window colour indication :

Steady Blue		device is turned on
Flashing Blue		standby mode, ready for pumping
Steady Green		target vacuum level is reached
Flashing Yellow		vacuum level is dropping
Flashing Red		vacuum is totally lost, circuit stalled until device is switched off
Alternating Blue and Red		vacuum is totally lost, circuit stalled until device is switched off
Steady Red		out of battery

** It is recommended to leave the housing for at least 20mins to ensure it is sealed. If the LED light changes from steady green light to rapidly flashing yellow light, that means there is a leakage. Please check every O-ring and then conduct the vacuum test again.*

** please contact our authorized service centers if testing fails*

CARE/STORAGE

1

Soak the housing system in fresh water after salt water usage

2

Operate all controls and buttons at least 3 times while immersed in fresh water

3

We recommend cleaning and inspecting the main O-ring each time after diving for any damage and every time the housing is opened.

4

Protect the housing with robust and shock-proof travel case during transportation. Do not travel with camera inside housing.

5

We recommend to ship the housing to our service centers for a complete overhaul after 500 dives/every 3 years.

WARRANTY

All NAUTICAM Housing Products and Viewfinders are warranted against any material and manufacturing defects for two years from the date of purchase for consumer use. NAUTICAM Optical Accessories are warranted against material and manufacturing defects for a period of one year, and HDMI cables carry a year warranty.

This warranty only applies to products purchased from authorized NAUTICAM dealers and does not extend beyond the original retail purchaser.

To return your product for service, please contact your regional authorized service center(s). Please note that this warranty only applies when the product is purchased in the territory where the service center is located.

NAUTICAM accepts no liability for any damage to and defects in the housing caused by improper use and/or poor maintenance; it is the responsibility of the owner to carefully follow the instructions in our manuals.

NAUTICAM does not hold responsibility for damage, of any nature, to any equipment used with and/or placed within our products.

NAUTICAM accepts no liability for any loss of captured images or the inability to capture images even if it is due to the malfunctioning of our products.

Unauthorized modifications and/or repairs of our products will automatically invalidate the warranty.

SPECIFICATIONS

Construction

Housing body	Hard Anodized Aluminium Alloy
Display window	Abrasion Resistant Polycarbonate

Dimensions

Width	311 mm
Height	169 mm
Depth	111 mm

Weight

In air	1.74 kg
Buoyancy in water	0.39 kg (incl. camera & battery)

Depth

Rating	100 m
--------	-------

Port Specifications

Port mount	N 85 Port System
Port accessories	1 x M24, 1 x M14, 1 x M10

Lanyard

25227 27cm Lanyard with Shackles
25412 23cm Lanyard with 2 Snap Hooks

Viewfinder

32211 Nauticam Full Frame Straight Viewfinder 32°/ 1:1
32212 Nauticam Full Frame Straight Viewfinder 40°/ 0.8:1
32213 Nauticam Full Frame Angle Viewfinder 32°/ 1:1
32214 Nauticam Full Frame Angle Viewfinder 40°/ 0.8:1
* 32215 Viewfinder Collar for MIL Housing is Required to use with 32211/2/3/4

Buoyancy Options

72216 Ø70x200mm Carbon Fibre Aluminium Float Arm (Buoyancy 370g)
72217 Ø70x250mm Carbon Fibre Aluminium Float Arm (Buoyancy 520g)
72218 Ø70x300mm Carbon Fibre Aluminium Float Arm (Buoyancy 670g)
72219 Ø90x170mm Carbon Fibre Aluminium Float Arm (Buoyancy 450g)
72220 Ø90x220mm Carbon Fibre Aluminium Float Arm (Buoyancy 720g)
72233 Single Bayonet Holder II for Ø70 Float Arm
72234 Double Bayonet Holder II for Ø70 Float Arm
72243 Single Bayonet Holder II for Ø90 Float Arm
72244 Double Bayonet Holder II for Ø90 Float Arm
83252 Bayonet Holder for Arms
83253 Double Bayonet Holder for Arms
83254 Bayonet Lens Holder for Inon Float Arms

HDMI CONNECTION & MONITOR OPTIONS

HDMI Connectivity Required Accessories (2.0)

25086 M24 Adaptor for HDMI 2.0 Cable
25xxx M24D2R200-M28A1R170 HDMI 2.0 Cable (TBC)

Monitor Options (2.0)

17922 Nauticam Atomos Ninja V Housing
17926 Nauticam NA-Ultra5 Housing

HDMI Connectivity Required Accessories (1.4)

25028 Socket Extension for 25032 HDMI Bulkhead with M16 Thread
25032 Custom HDMI Bulkhead to use with Socket Extension
25046 HDMI (D-D) Cable in 200mm Length
25081 M24-M16 Step Down Adaptor

Monitor Options (1.4)

17922 Nauticam Atomos Ninja V Housing
17923 NA-Shinobi-H Housing
*17923 Includes 25046 HDMI (D-D) Cable
17926 Nauticam NA-Ultra5 Housing
25082 HDMI 1.4 Cable for Ninja V Housing in 0.75m Length
*Required for use with 17922/17926 Monitor Housing.

WET LENS COMPATIBILITY

**please refer to Nauticam port charts for more setup information.*

Wet Lens

Macro	81201 Super Macro Converter 1 (2.3x Magnification)
	81202 Super Macro Converter 2 (4x Magnification)
	81301 Compact Macro Converter 1 (CMC-1, 4.5x Magnification)
	81302 Compact Macro Converter 2 (CMC-2, 2.8X Magnification)
Macro to Wideangle	86201 Macro to Wideangle Lens 1 (MWL-1) 150 deg. FOV with Full Frame 60mm Macro Lens
Wideangle	83202 Wet Wide Lens 1B (WWL-1B) 130 deg. FOV with Compatible 28mm Lenses (incl. float collar)
	83203 Wet Wide Lens Compact (WWL-C) 130 deg. FOV with Compatible 24mm Lenses (incl. float collar)

Optional Wet Lens Accessories

25101 M67 Flip Diopter Holder for M67 Macro Ports
25108 M67 Double Flip Holder for M67 Macro Ports
81222 M67 Adaptor Ring for SMC to use on 25104/ 25105
81228 M67 Spacer Ring for SMC/CMC
83214 Bayonet Mount Adaptor for SMC/CMC
83250 M67 to Bayonet Converter II
86222 Double Flip Holder for MWL-1

FLASH TRIGGERING

Optical

Manual Flash Trigger

36315 Sony Mini Flash Trigger
26216 Universal Optical Fiber Cable

Electrical

25056 M14 Nikonos 5-pin Bulkhead with Universal Hotshoe Connection
25081 M24-M16 Step Down Adaptor

Nauticam Internationl Ltd.

Rm 2203, CCT Telecom Bldg,
11 Wo Shing St,
Fo Tan,
Hong Kong

Tel. +852 - 26902711
Fax. +852 - 26909778
URL. www.nauticam.com
Gallery. www.nauticam.smugmug.com