

NA - S5II

For Panasonic Lumix S5II/X Camera

PN 17721

User Manual
Housing
FF- MIL

Introduction	2
Package Contents	2
Important Instructions	3
Part Names and Functions	4
Housing Mount	7
Opening the housing	8
Closing the housing	9
Preparation for Use	10
Optional Accessories	15
Care/Storage	17
Warranty	18
Specifications	19

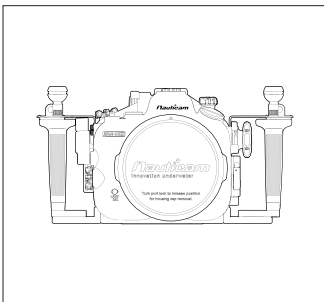
INTRODUCTION

Thank you for purchasing this Nauticam product.

Before using the product, please read this manual thoroughly to familiarize yourself with full scope of functions on the product as well as ensuring that you will use the product correctly.

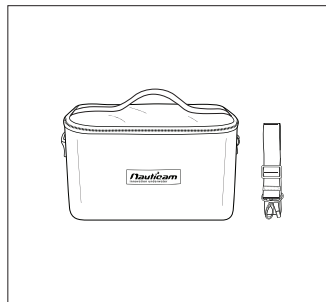
PACKAGE CONTENTS

Make sure that you have all the included items listed below before using this product. If some items are missing or damaged, contact your local Nauticam dealer.

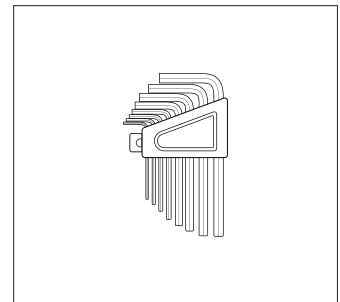


NA-S5II

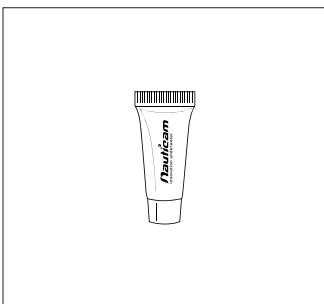
(2 x Handles with Mounting Balls, 1 x Housing Cap, 2 x Optical Fiber Mount Caps, 2 x Stainless Steel Handle Brackets)



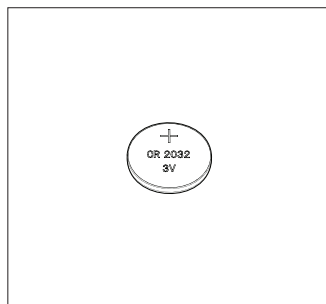
Padded Travel Case



Allen key set

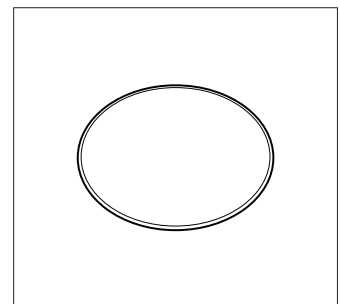


Lubricant



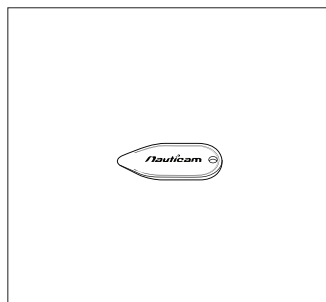
Panasonic CR2032 Battery

(pre-installed for Moisture Alarm)

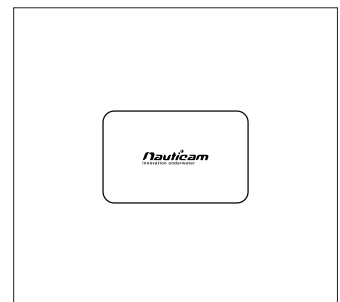


Spare Main O-ring
O-ring #90136

After purchase, we suggest that you reuse all packaging materials for future travelling.



O-ring Remover



Manual Instruction Card

IMPORTANT INSTRUCTIONS

1

Water-tight test of the housing (without camera inside) before usage is recommended as well as any O-ring renewal and port change.

2

Do not seal the housing when travelling by air as this may lead to a pressure difference between the atmosphere and inside the housing.

3

Only the accessories specified by Nauticam must be used. Third-party accessories may result in malfunctions or damage to the product.

4

Use only Nauticam lubricant on silicone rubber O-ring.

5

Do not stretch any O-rings excessively. Only remove it using Nauticam O-ring remover.



6

Discontinue use immediately when there is a sign of leakage.

7

Do not attempt to remove parts of the housing yourself. Repairs must be done at authorized service centers only.

8

The housing should be positioned on the a stable and safe surface on land.

9

Do not expose the housing in direct sunlight for a prolonged period.

10

Do not open the housing in wet or sandy environment. Protect the housing from moisture and debris in order to prevent malfunction or leakage.

11

Prevent any sand or dust or water penetration inside the housing. Be extra careful when changing lens and inserting or removing the camera.

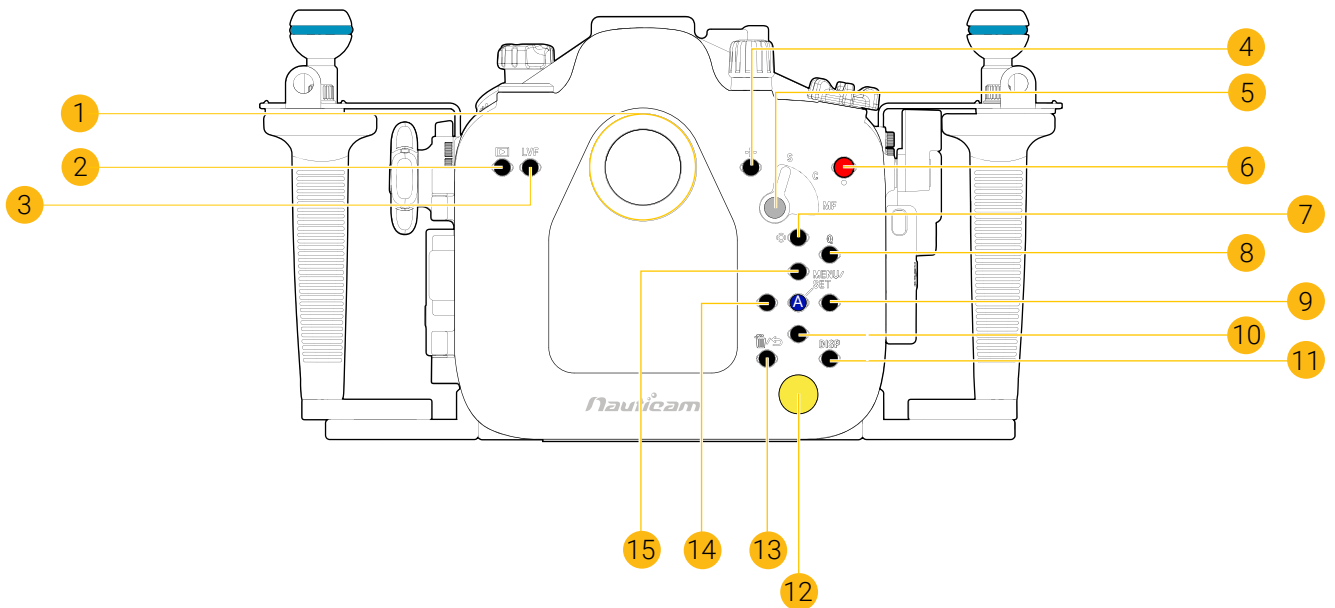


12

This product is not intended for use by children, or persons with reduced physical, sensory or mental capabilities, or lack of experience and knowledge, unless they are supervised and/or given instruction by a responsible person concerning use of the product to ensure that they can use it safely.

PART NAMES AND FUNCTIONS

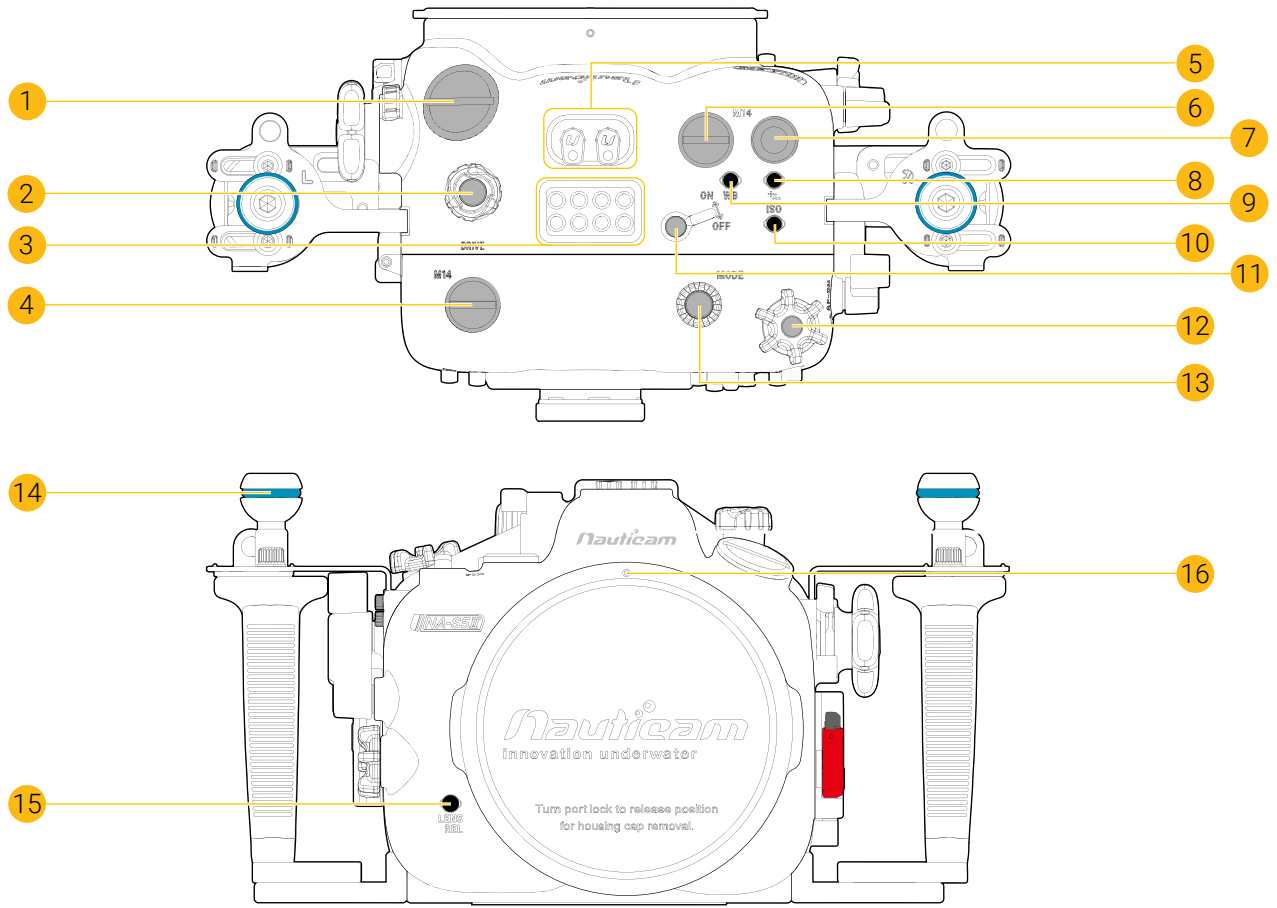
Rear View



- | | | | |
|----|----------------------|----|-----------------------|
| 1 | Viewfinder | 2 | Playback button |
| 3 | LVF button | 4 | AF mode button |
| 5 | Focus mode lever | 6 | REC button |
| 7 | Joystick - Center | 8 | Quick menu button |
| 9 | Cursor - right | 10 | Cursor - down |
| 11 | Display button | 12 | Moisture alarm window |
| 13 | Cancel/Delete button | 14 | Cursor - left |
| 15 | Cursor - up | A | Menu/Set button |

PART NAMES AND FUNCTIONS

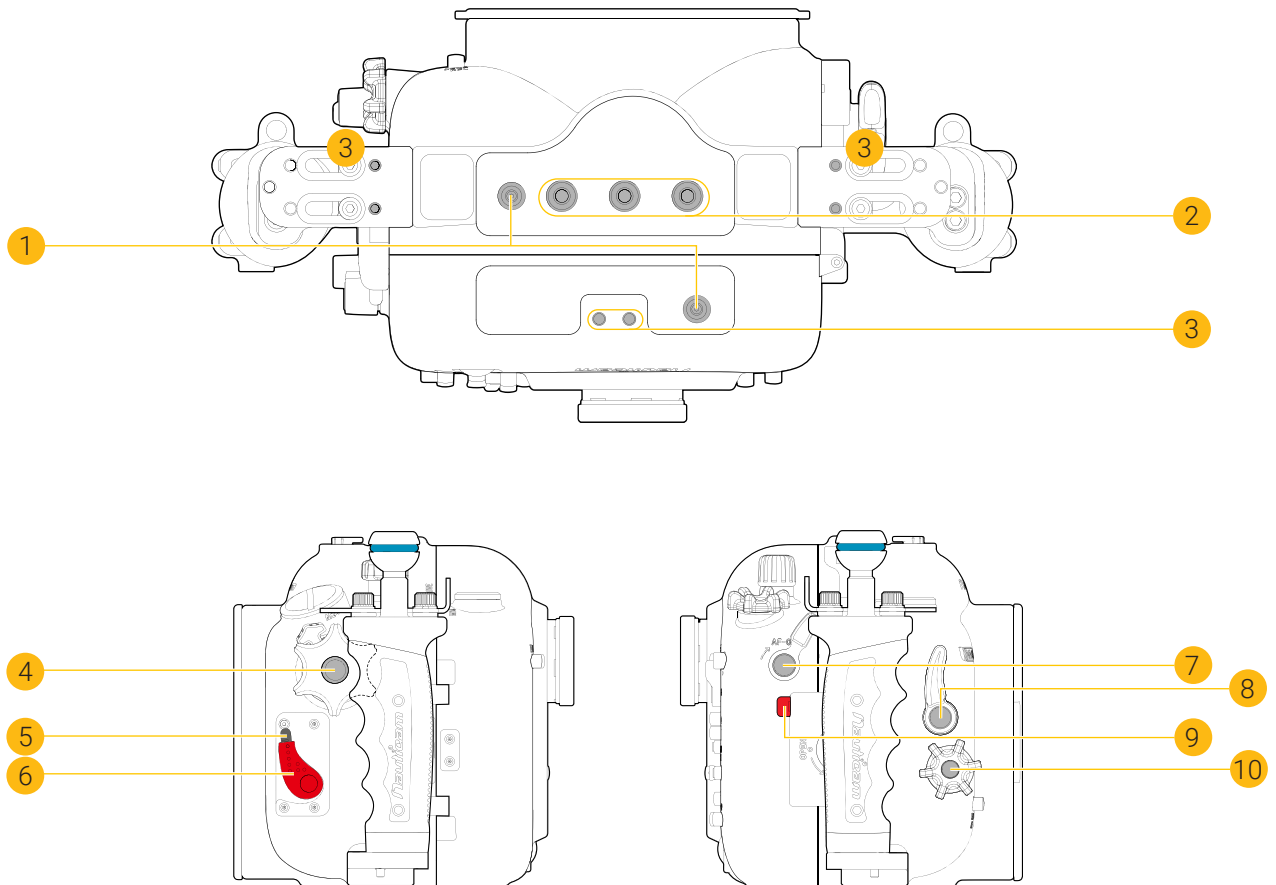
Top + Front Views



- | | | | |
|----|--------------------------------|----|----------------------------|
| 1 | M24 Accessory port | 2 | Drive mode dial |
| 3 | 1/4" Threaded holes | 4 | M14 Accessory port |
| 5 | Optical fiber cable connection | 6 | M14 Accessory port |
| 7 | M10 Accessory port | 8 | Exposure compensation lock |
| 9 | WB button | 10 | ISO button |
| 11 | Main switch | 12 | Rear dial |
| 13 | Mode dial | 14 | Accessory mounting ball |
| 15 | Lens release button | 16 | Port index mark |

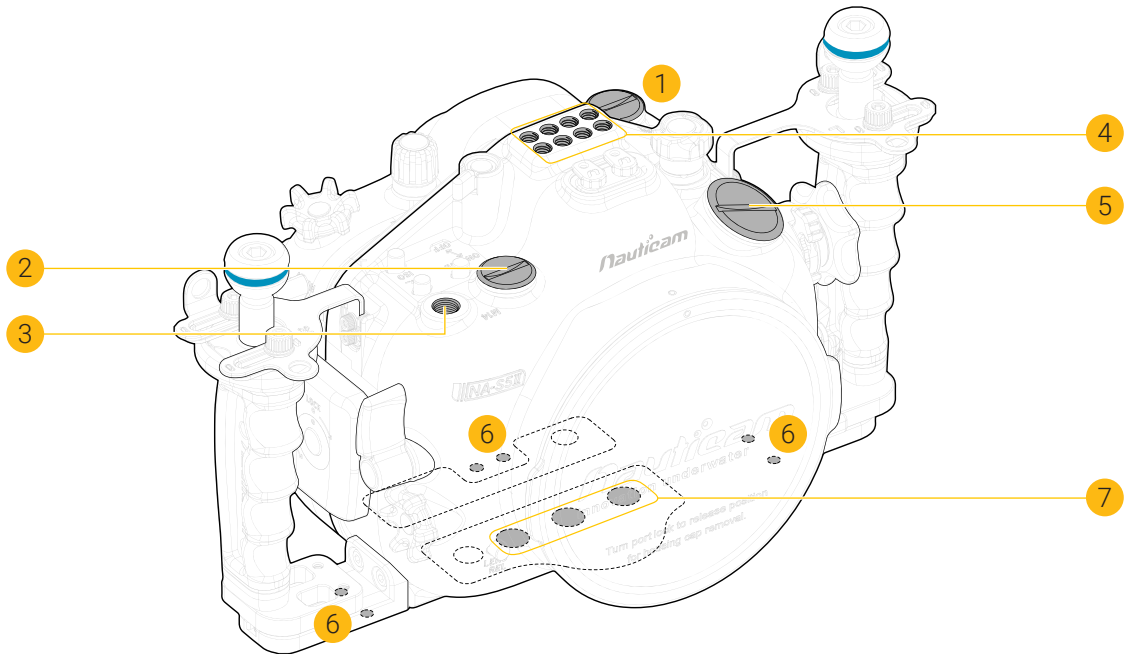
PART NAMES AND FUNCTIONS

Back + Side Views



- | | | | |
|---|-------------------------|----|----------------------------|
| 1 | Sacrificial zinc anodes | 2 | 1/4" Threaded tripod holes |
| 3 | M5 Threaded holes | 4 | Zoom/Focus knob |
| 5 | Port lock safety button | 6 | Port locking lever |
| 7 | AF-ON lever | 8 | Shutter release lever |
| 9 | Housing unlock button | 10 | Front dial |

HOUSING MOUNT



Housing mount

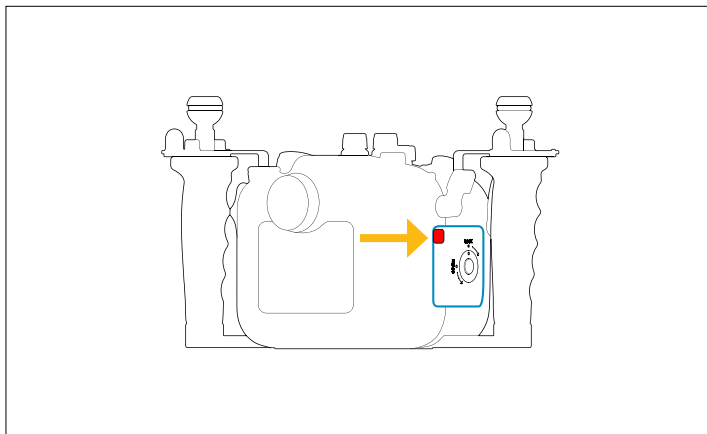
Compatible accessories

1	M14 Accessory port	25624	M14 Vacuum valve II	
2	M14 Accessory port	25056	M14 Nikonos 5-pin bulkhead	<i>Electrical triggering 1</i>
3	M10 Accessory port	25221 25224	M10 Strobe mounting ball M10 Strobe mounting ball with hole	
4	1/4" -20 mounting threads	17959	Housing mounting ball with 1/4" screws	
5	M24 Accessory port	25033 25081 25100 25086 25099 25097	Standard HDMI bulkhead with M16 thread M24 to M16 Step down adaptor HMDI (D-A)1.4 cable in 190mm length M24 adaptor for HDMI 2.0 cable HDMI 2.0 cable M24 to M14 Step down adaptor	<i>HDMI 1.4</i> <i>HDMI 2.0</i> <i>Electrical triggering 2</i>
6	M5 Threaded holes	25218	Mounting ball set for tripod legs	
7	1/4" -20 mounting threads	17954 17960	Universal tripod plate Universal quadra-Pod Plate for Nauticam Housings	

OPENING THE HOUSING

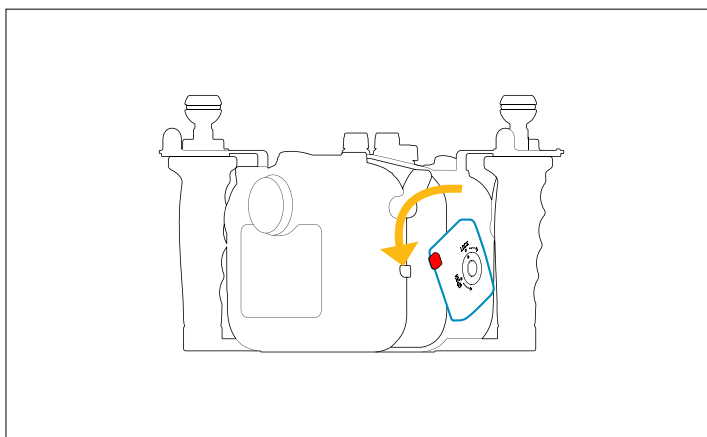
* drawings as illustrations only

1



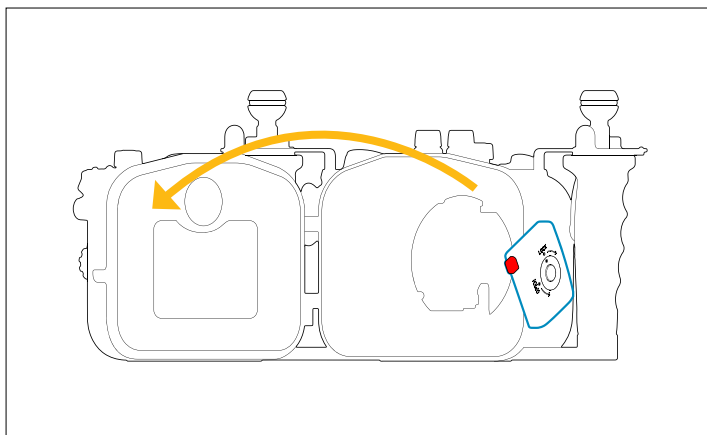
depress housing unlock button

2



turn housing lock latch
anti-clockwise to open the
housing

3

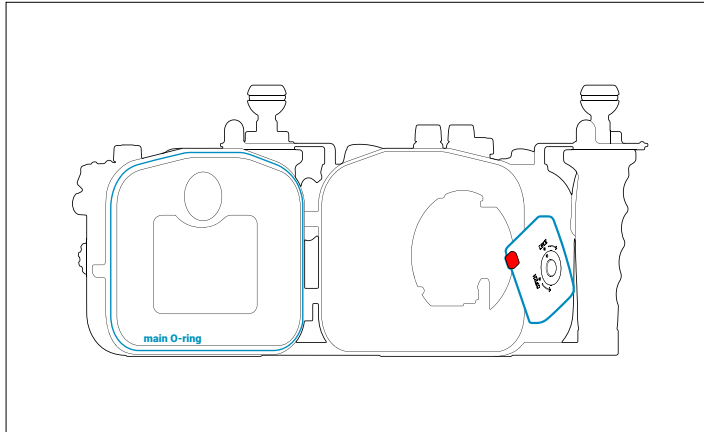


flip open the back housing
when lock latch is aligned to
'open' position

CLOSING THE HOUSING

* drawings as illustrations only

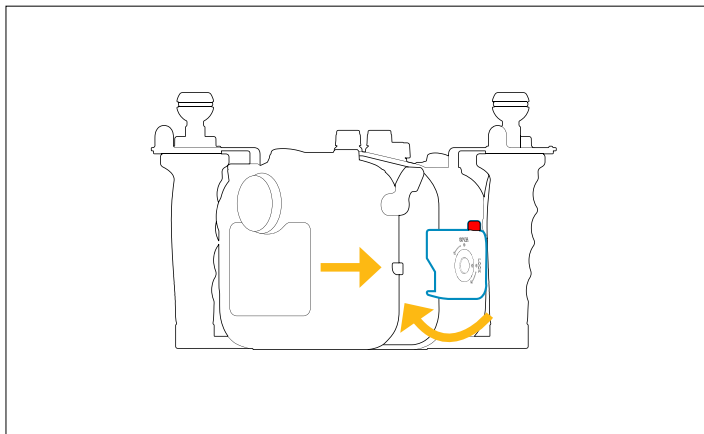
1



before closing the housing, clean and lubricate the main O-ring

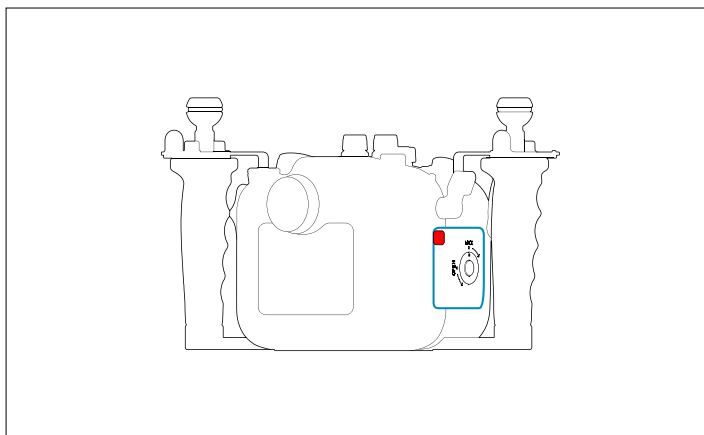
make sure nothing is caught between front and back housing and that they are fully aligned before locking

2



insert the housing shaft into the shaft hole and then rotate the lock latch clockwise until you hear and feel it click into place

3



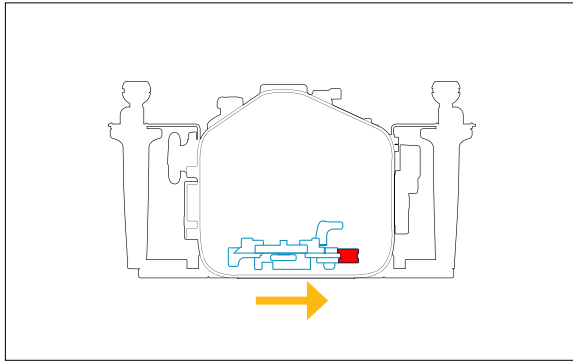
housing locked in place securely

PREPARATION FOR USE

* drawings as illustrations only

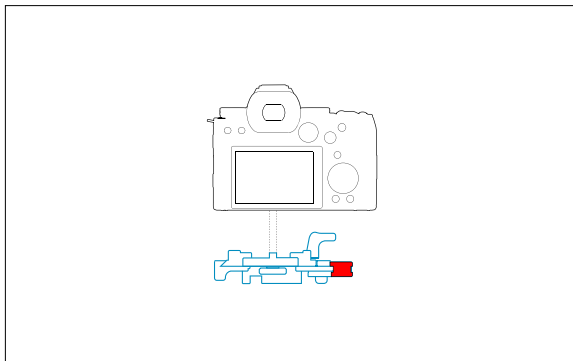
Installing the Camera - housing tray attachment

1



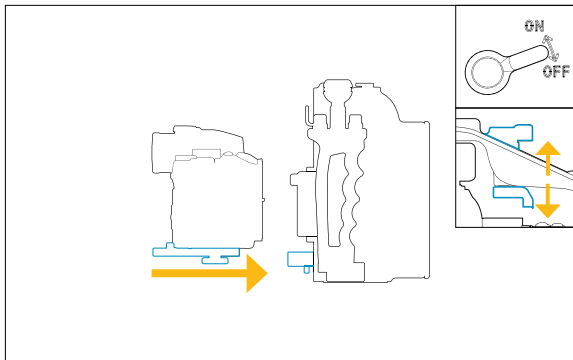
unlock camera tray lever and remove the tray from the housing

2



attach the camera tray by tightening the tray screw into the tripod socket of the camera

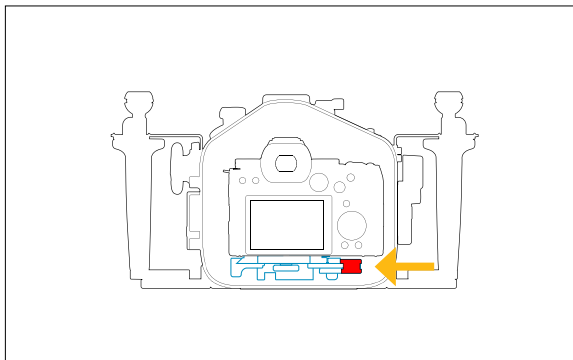
3



** lift up the actuator of ON/OFF lever each time before installing the camera
* make sure the ON/LOCK/OFF lever is aligned with camera control before sliding the camera into the housing
* pull out the zoom/focus knob if installing the camera with lens and gear attached*

slide the camera tray back into the housing along the tray rail

4



lock camera tray

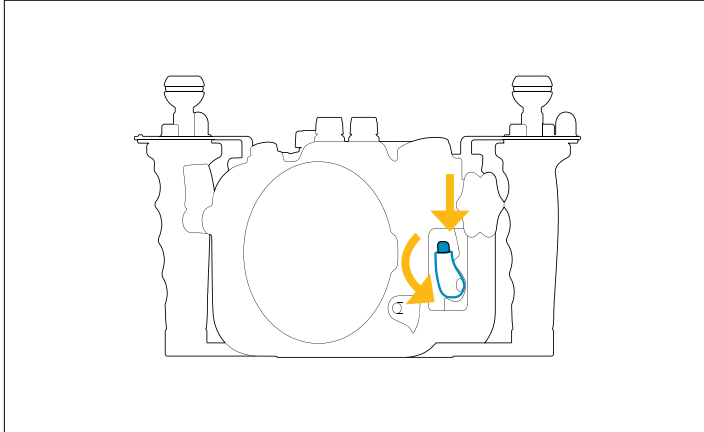
** place the zoom/focus knob in place and make sure it is engaged with lens gear
* gently push the actuator of ON/OFF lever downwards to make sure it is engaged with the lever on the camera*

PREPARATION FOR USE

* drawings as illustrations only

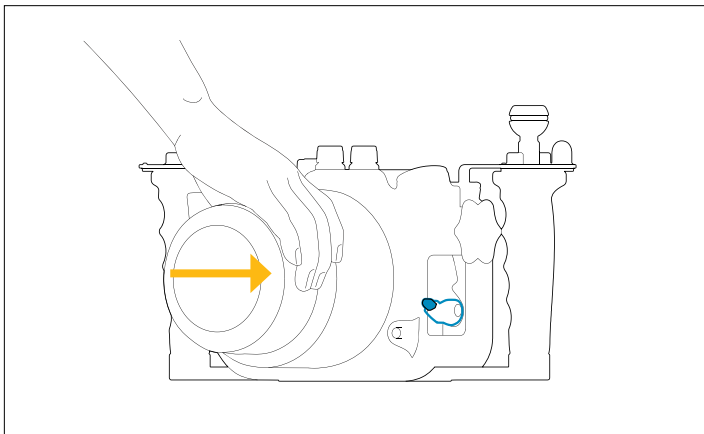
Port Mounting

1



depress port lock safety button
and rotate anti-clockwise

2

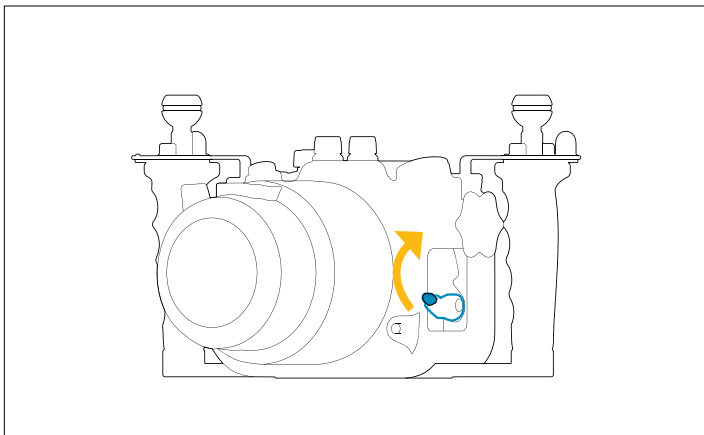


lubricant the port O-ring before
mounting

align index mark

push port assembly straight in

3

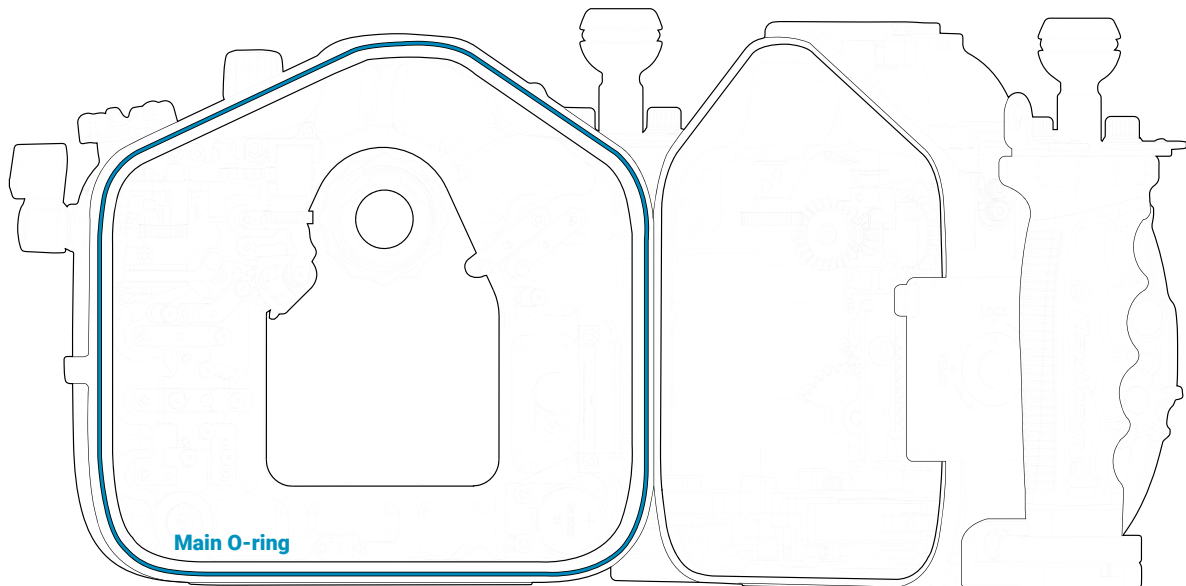


rotate locking lever clockwise to
lock

PREPARATION FOR USE

* drawings as illustrations only

Coating housing O-ring



- 1
remove the main O-ring using an O-ring remover

- 2
clean the O-ring groove with a cloth and ensure that it is free from salt or other foreign materials

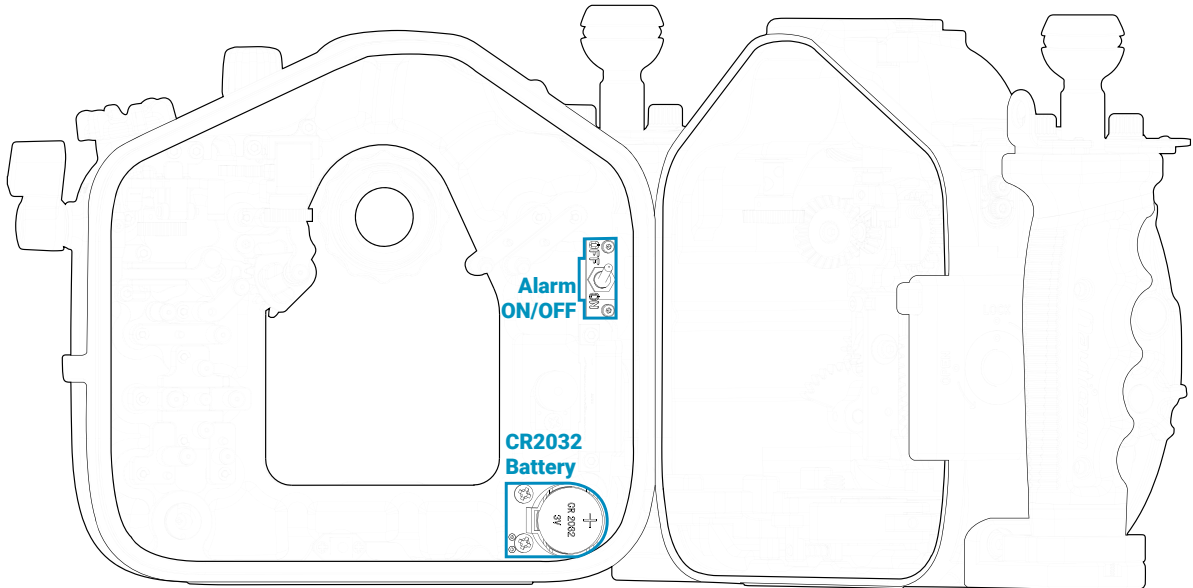
- 3
lightly coat it with provided lubricant

- 4
return the main O-ring by slowly pressing from one corner to the whole perimeter

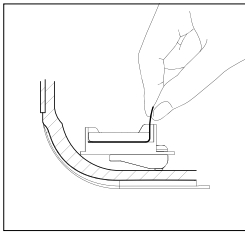
PREPARATION FOR USE

* drawings as illustrations only

Setting up moisture alarm

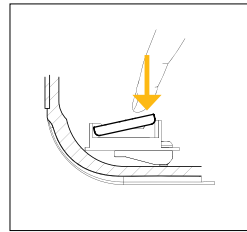


1



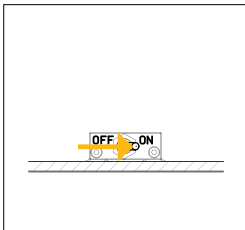
remove battery insulation film

2



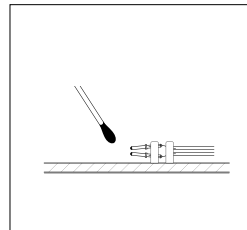
press the battery down until it click into place

3



switch on the alarm
- the moisture alarm window will flash in **BLUE** when it is working correctly

4



test the alarm
- connect the wires with a dampened cotton bud; the alarm will give a repeating 'beep' and the moisture alarm window will flash **RED**

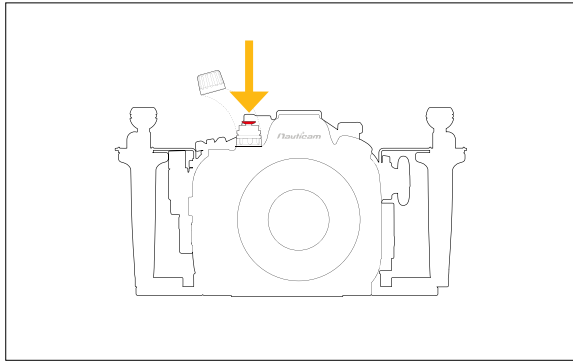
* please contact our authorized service centers if testing fails
* please refer to page 15 for complete vacuum system guidance

PREPARATION FOR USE

* drawings as illustrations only

Changing lens/port without opening the housing

1

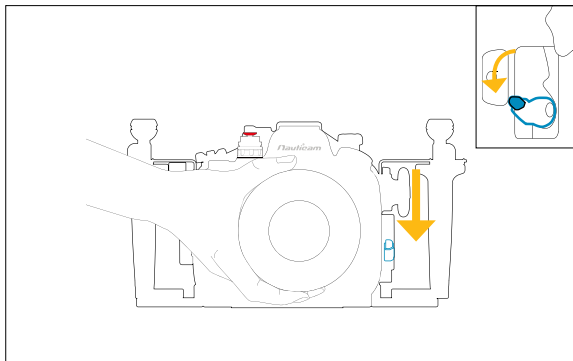


If using with vacuum valve :

remove the cap from the vacuum valve and press the red button to release pressure before unlocking port lock

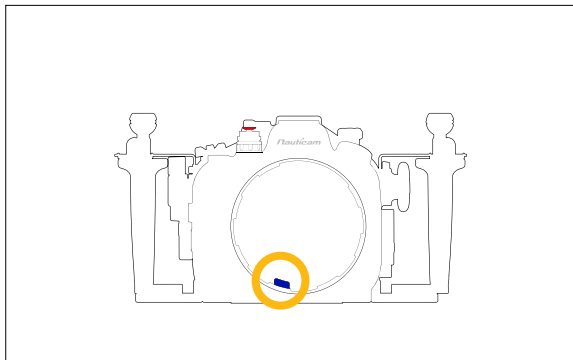
If using without vacuum valve, please follow from step 2

2



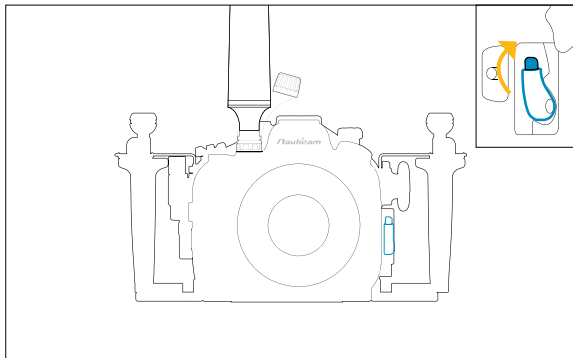
unlock port lock and remove port assembly

3



press the blue button to reset vacuum alarm before replacing port

4



replace port assembly

then reset vacuum valve system using hand pump and close the cap after

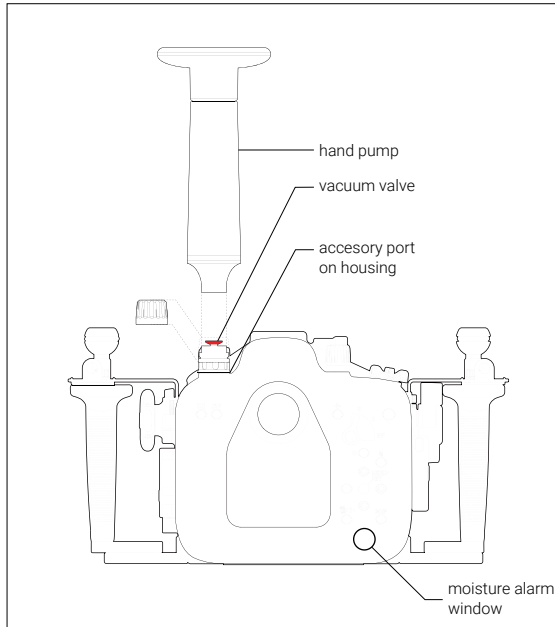
* please refer to page 15 on complete vacuum system guidance

OPTIONAL ACCESSORIES

* drawings as illustrations only

Vacuum valve system

1



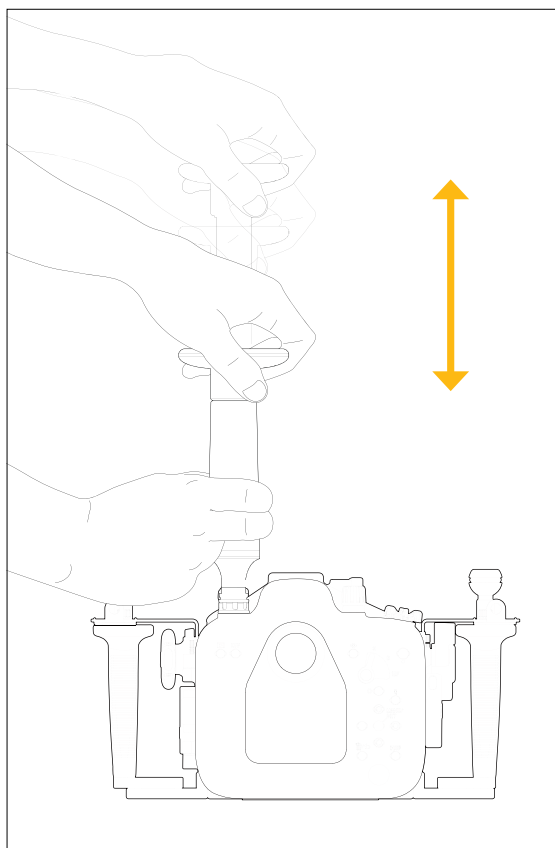
remove the plug of M16 accessory port from the housing

remove the cap from the vacuum valve

slightly lubricate the o-ring and make sure the o-ring is in place

then tighten the vacuum valve to the housing with the tool provided

2



connect hand pump to the valve and pump several times until it reaches the target vacuum level

close vacuum valve cap

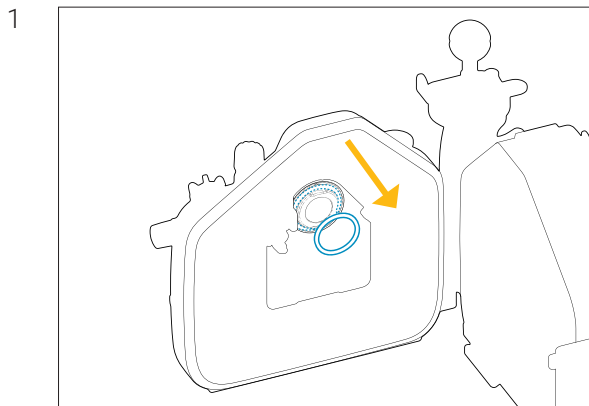
Moisture alarm window colour indication :

Steady Blue		device is turned on
Flashing Blue		standby mode, ready for pumping
Steady Green		target vacuum level is reached
Flashing Yellow		vacuum level is dropping
Flashing Red		vacuum is totally lost, circuit stalled until device is switched off
Alternating Blue and Red		vacuum is totally lost, circuit stalled until device is switched off
Steady Red		out of battery

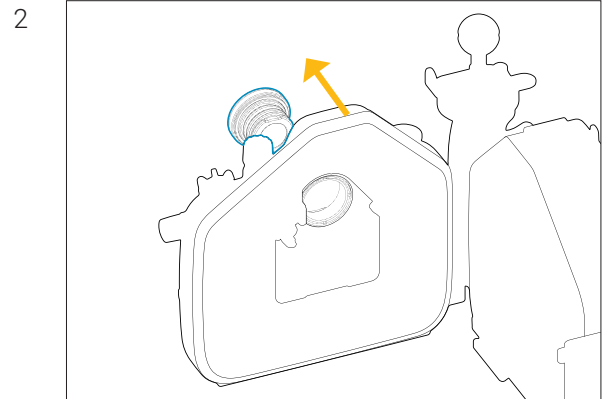
** It is recommended to leave the housing for at least 20mins to ensure it is sealed. If the LED light changes from steady green light to rapidly flashing yellow light, that means there is a leakage. Please check every O-ring and then conduct the vacuum test again.*

** please contact our authorized service centers if testing fails*

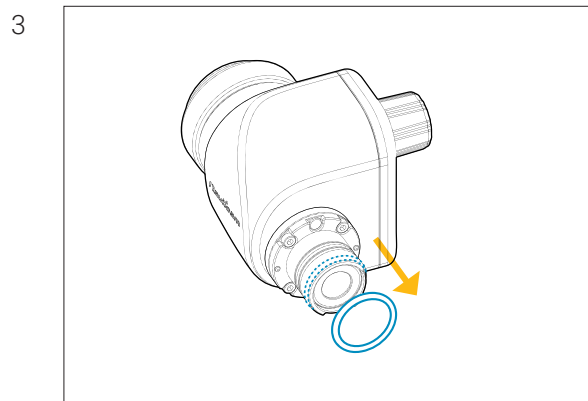
OPTIONAL ACCESSORIES



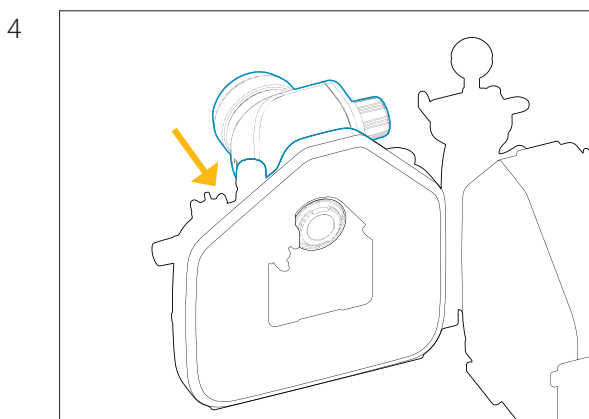
firstly remove the pre-installed 0.66x viewfinder from the housing by removing the retainer o-ring inside rear housing



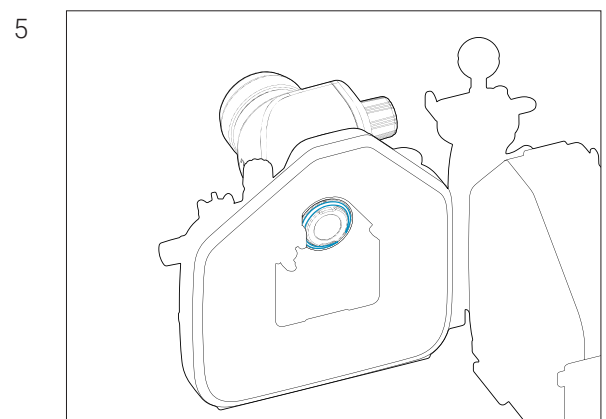
gently push the 0.66x viewfinder from the inside of the housing



remove the retainer o-ring from the viewfinder



align the viewfinder alignment pins with the LCD display window and push the viewfinder into the housing until it cannot go in any further



lightly lubricate the retainer o-ring and place it back from inside the housing

CARE/STORAGE

1

Soak the housing system in fresh water after salt water usage

2

Operate all controls and buttons at least 3 times while immersed in fresh water

3

We recommend cleaning and inspecting the main O-ring each time after diving for any damage and every time the housing is opened.

4

Protect the housing with robust and shock-proof travel case during transportation. Do not travel with camera inside housing.

5

We recommend to ship the housing to our service centers for a complete overhaul after 500 dives/every 3 years.

WARRANTY

All NAUTICAM Housing Products and Viewfinders are warranted against any material and manufacturing defects for two years from the date of purchase for consumer use. NAUTICAM Optical Accessories are warranted against material and manufacturing defects for a period of one year, and HDMI cables carry a year warranty.

This warranty only applies to products purchased from authorized NAUTICAM dealers and does not extend beyond the original retail purchaser.

To return your product for service, please contact your regional authorized service center(s). Please note that this warranty only applies when the product is purchased in the territory where the service center is located.

NAUTICAM accepts no liability for any damage to and defects in the housing caused by improper use and/or poor maintenance; it is the responsibility of the owner to carefully follow the instructions in our manuals.

NAUTICAM does not hold responsibility for damage, of any nature, to any equipment used with and/or placed within our products.

NAUTICAM accepts no liability for any loss of captured images or the inability to capture images even if it is due to the malfunctioning of our products.

Unauthorized modifications and/or repairs of our products will automatically invalidate the warranty.

SPECIFICATIONS

Construction

Housing body	Hard Anodized Aluminium Alloy
Display window	Abrasion Resistant Polycarbonate

Dimensions

Width	316 mm
Height	172 mm
Depth	165 mm

Weight

In air	2.4 kg
Buoyancy in water	Positive 0.3kg (Includes camera and battery)

Depth

Rating	100 m
--------	-------

Port specifications

Port mount	N 120 Port System
Port accessories	1 x M24, 2 x M14, 1 x M10 Threaded Hole, 8 x 1/4"-20 Threaded Holes

Optional accessories

25624 M14 Vacuum Valve II (Pushbutton Release)
32211 Nauticam Full Frame Straight Viewfinder 32° / 1:1
32213 Nauticam Full Frame Angle Viewfinder 32° / 1:1
26216 Universal Optical Fiber Cable
25081 M24-M16 Step Down Adaptor
25097 M24-M14 Step Down Adaptor
25019 M16 to M14 Step Down Adaptor for Electrical Bulkhead
25221 M10 Strobe Mounting Ball for Housing
25224 M10 Strobe Mounting Ball for Housing
17959 Housing Mounting ball with 1/4" screws
17960 Universal Quadra-Pod Plate for Nauticam Housings
25218 Mounting Ball Set for Tripod

Buoyancy options

72216 Ø70x200mm Carbon Fibre Aluminium Float Arm (Buoyancy 370g)
72217 Ø70x250mm Carbon Fibre Aluminium Float Arm (Buoyancy 520g)
72218 Ø70x300mm Carbon Fibre Aluminium Float Arm (Buoyancy 670g)
72219 Ø90x170mm Carbon Fibre Aluminium Float Arm (Buoyancy 450g)
72220 Ø90x220mm Carbon Fibre Aluminium Float Arm (Buoyancy 720g)
72233 Single Bayonet Holder II for Ø70 Float Arm
72234 Double Bayonet Holder II for Ø70 Float Arm
83252 Bayonet Holder for Arms
83253 Double Bayonet Holder for Arms
83254 Bayonet Lens Holder for Inon Float Arms

HDMI CONNECTION & MONITOR OPTIONS

HDMI connectivity required accessories (2.0)

25086 M24 Adaptor for HDMI 2.0 cable
25099 M24A2R200-M28A1R170 HDMI 2.0 Cable

Monitor options (2.0)

17922 Nauticam Atomos Ninja V Housing for Atomos Ninja V 5" (excl. HDMI 2.0 cable)
--

HDMI connectivity required accessories (1.4)

25033 Standard HDMI Bulkhead with M16 Thread
25081 M24-M16 Step Down Adaptor
25100 HDMI (D-A) Cable in 190mm Length for NA-a1

**25033 and M16 Spacer are included in monitor housings*

Monitor options (1.4)

17923 NA-Shinobi-H Housing for Atomos Shinobi 5.2" 4K HDMI Monitor
17925 NA-503-H Housing for SmallHD 503 UltraBright On-Camera Monitor

WET LENS COMPATIBILITY

**please refer to Nauticam port charts for more setup information.*

Macro	81201 Super Macro Converter 1
	81202 Super Macro Converter 2
Macro to Wideangle	86201 Macro to Wideangle Lens 1 (MWL-1, 150 deg. FOV with full frame 60mm macro lens)
	87302 EMWL Set #2 (incl. focusing unit #2, 150mm relay lens and 3 objective lenses)
	87202 EMWL Focusing Unit #2 (for Canon FF 100mm & APS-C 60mm)
	87211 EMWL 150mm Relay Lens
	87212 EMWL Angled Relay Lens
	87221 EMWL 60° Objective Lens
	87222 EMWL 100° Objective Lens
	87223 EMWL 130° Objective Lens
Wideangle	87226 EMWL 160° Objective Lens
	83202 Wet Wide Lens 1B (WWL-1B) 130 deg. FOV with compatible 28mm lenses (incl. float collar)
	83203 Wet Wide Lens Compact (WWL-C) 130 Deg. FOV with Compatible 24mm Lenses (incl. float collar)
	85205 N100 0.36x Wide Angle Conversion Port Compact (WACP-C)
	85201 0.36x Wide Angle Conversion Port with Aluminium Float Collar (incl. N120 to N100 port adaptor)
85204 0.57x Wide Angle Conversion Port - 2 (WACP-2) 140 Deg. FOV with Compatible 14mm Lenses (incl. float collar)	

Optional wet lens accessories

25101 M67 flip diopter holder for M67 macro ports
25108 M67 Double Flip Holder for M67 Macro Ports
83213 M67 to Bayonet Mount Converter II
83214 Bayonet Mount Adaptor for SMC/CMC
83250 M67 to Bayonet Mount Converter II
83251 M77 to Bayonet Mount Converter II
87501 Flip Holder for EMWL
87512 Shade for 130° Objective Lens
87513 Shade for 100° Objective Lens
87519 Shade for 160° Objective Lens
87515 M67 Mount to EMWL Focusing Unit
87518 Strobe Mounting Brackets for EMWL Relay Lens

FLASH TRIGGERING

Optical

Manual Flash Trigger

26305 Mini flash trigger for Panasonic/Fujifilm

26216 Universal optical fiber cable

TTL Flash Trigger

** Panasonic Flash DMW FL-70 is not supported by this housing*

Electrical

25056 M14 Nikonos 5-pin bulkhead with universal hotshoe connection

25097 M24 to M14 Step down adaptor

Nauticam Internationl Ltd.

Rm 2203, CCT Telecom Bldg,
11 Wo Shing St,
Fo Tan,
Hong Kong

Tel. +852 - 26902711
Fax. +852 - 26909778
URL. www.nauticam.com
Gallery. www.nauticam.smugmug.com