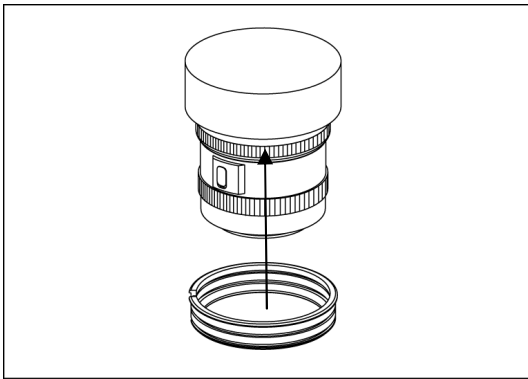


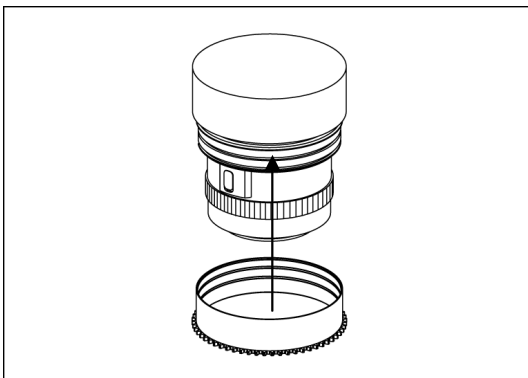
## 19541 C815-F

### Focus gear for Canon EF 8-15mm f/4L Fisheye USM (to use with 21230)

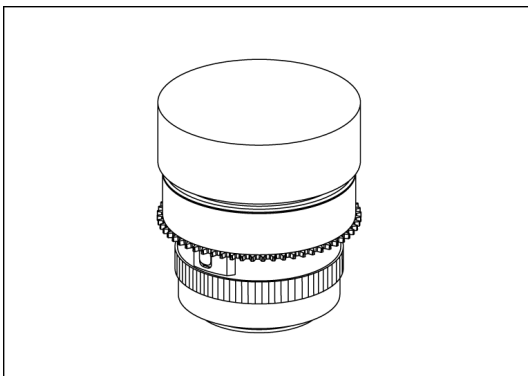
Please follow the instructions below to mount the dedicated focus gear on the lens.



1. Insert the plastic c-ring as shown and place it over the lens rubber focus ring.



2. Insert the gear of C815-F on the plastic c-ring until it reaches the flange of the plastic c-ring.



3. To remove the C815-F gear, reverse the above steps.
4. The tightness between the C815-F gear and the lens can be adjusted by removing or adding rubber grips on either sides of the plastic c-ring, spare rubber grips are included in the package.