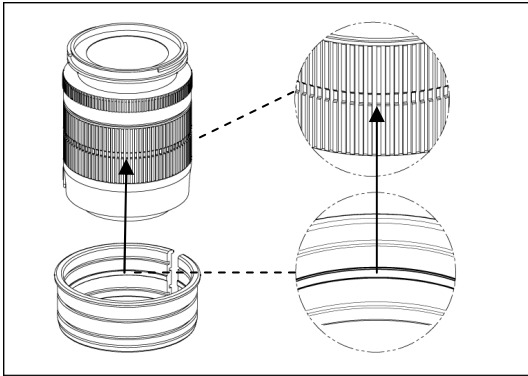


19547 C1855ISSTM-Z

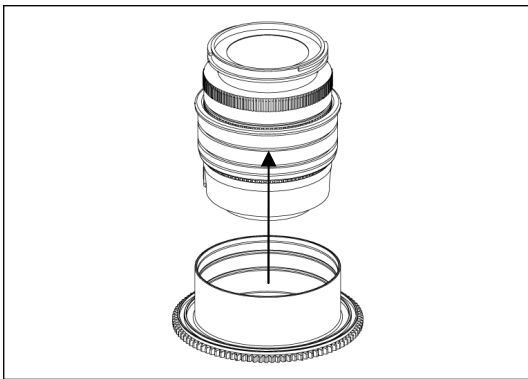
Zoom gear for Canon EF-S 18-55mm f/3.5-5.6 IS STM

Please follow the instructions below to mount the dedicated zoom gear on the lens.

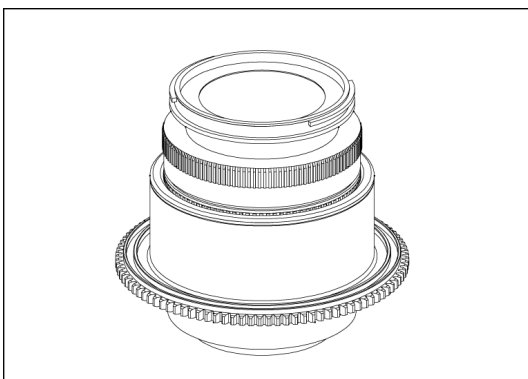


1. Insert the plastic c-ring as shown and place it over the lens rubber zoom ring.

Align the extruded part of the inner part of the plastic c-ring to groove on the lens rubber zoom ring as shown.



2. Insert the gear of C1855ISSTM-Z on the plastic c-ring until it reaches the flange of the plastic c-ring.



3. To remove the C1855ISSTM-Z gear, reverse the above steps.
4. The tightness between the C1855ISSTM-Z gear and the lens can be adjusted by removing or adding rubber grips on either sides of the plastic c-ring, spare rubber grips are included in the package.