

**19554 19555 C1635III-Z Zoom Gear  
/F Focus Gear for Canon EF 16-35mm  
f/2.8L III USM**

Instruction Manual

**FOREWORD**

Thank you for your purchase of a NAUTICAM product.

At NAUTICAM, we pride ourselves in the ability to recognize the requirements of professional as well as amateur underwater photographers and fulfill them through the innovative designs of our products. We strive to achieve a high level of user-friendliness by allowing stress-free installation and easy operation of all important functions of the camera.

Please read this manual carefully before using the product, this will maximize its performance as well as its lifetime.

**WARRANTY**

All NAUTICAM Products are warranted against any material and manufacturing defects for two years from the date of purchase for consumer use. This warranty only applies to products purchased from authorized NAUTICAM dealers and does not extend beyond the original retail purchaser.

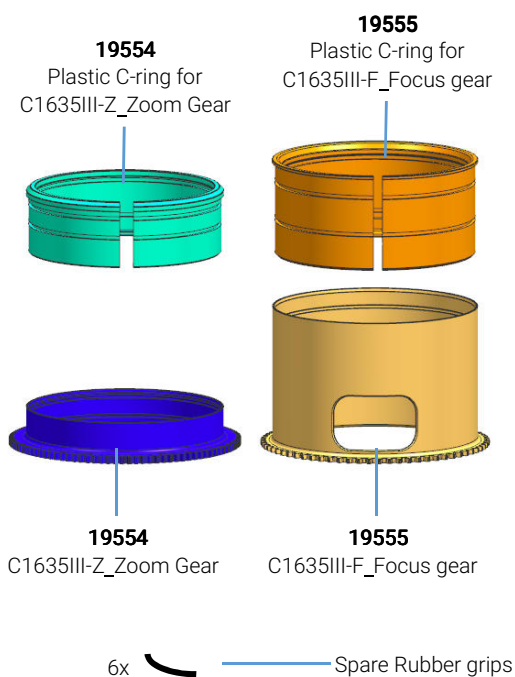
To return your product for service, please contact your regional authorized service center(s). Please note that this warranty only applies when the product is purchased in the territory where the service center is located.

NAUTICAM does not hold responsibility for damage, of any nature, to any equipment used with and/or placed within our products.

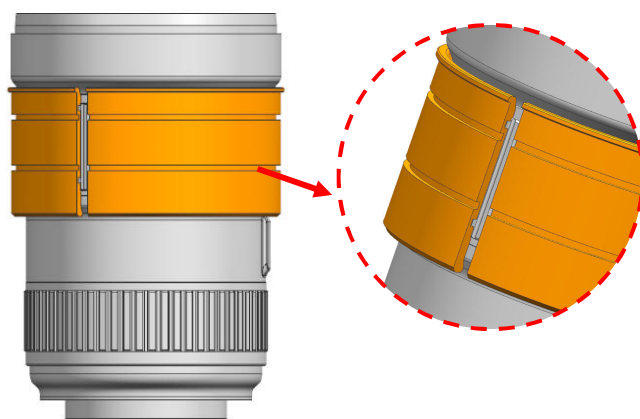
NAUTICAM accepts no liability for any loss of captured images or the inability to capture images even if it is due to the malfunctioning of our products.

Unauthorized modifications and/or repairs of our products will automatically invalidate the warranty.

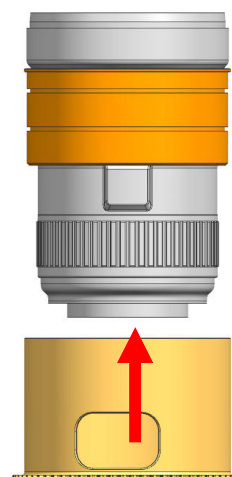
**IDENTIFICATION OF PARTS**



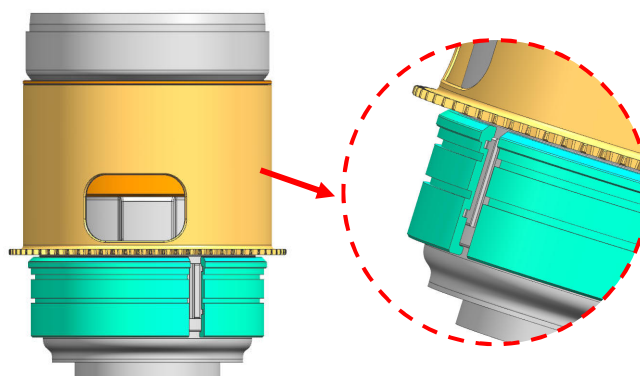
**MOUNTING THE GEAR ON A LENS**



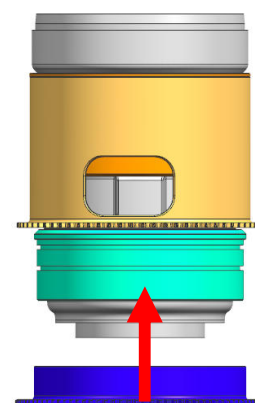
1. Insert the plastic C-ring for focus gear as shown and place it over the lens



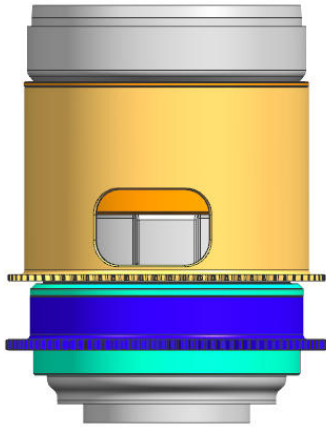
2. Insert the C1635III-F Focus gear on the plastic C-ring until it reaches the flange of the plastic C-ring.



3. Insert the plastic C-ring for zoom gear as shown and place it over the lens

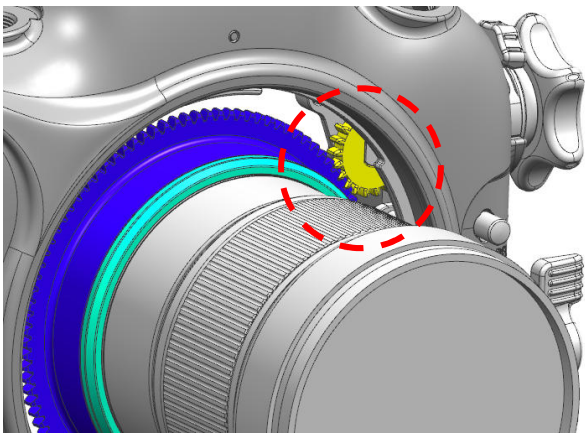


4. Insert the C1635III-Z zoom gear on the plastic C-ring until it reaches the flange of the plastic C-ring.

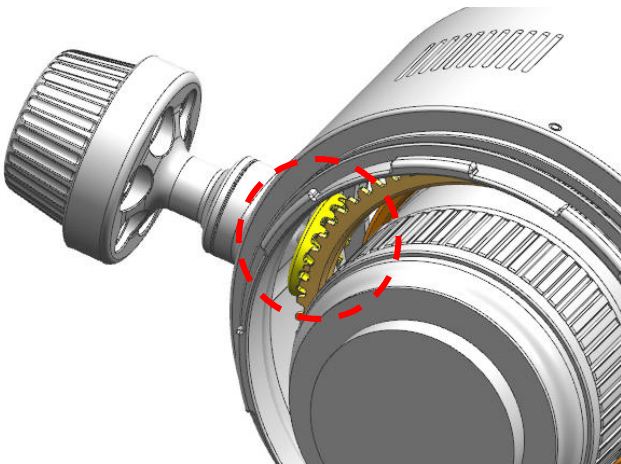


5. The tightness between the both gears and the lens can be adjusted by removing or adding rubber grips on either sides of the plastic C-ring, spare rubber grips are included in the package.

## CONTROLLING THE GEAR



1. The C1635III-Z zoom gear can be controlled by zoom/focus knob of the housing.



2. The C1635III-F Focus gear can be controlled through the focus knob of #21271 Extension ring 70 with focus knob for Canon EF 11-24mm f/4L USM or #21250 N120 Extension Ring 50 with Focus Knob

After mount the camera and lens (with gears installed) on the housing, confirm that the zoom/focus knobs operate correctly.

## SPECIFICATIONS

<b>19554</b> C1635III-Z ZOOM GEAR FOR CANON EF 16-35MM F/2.8L III USM	
Dimensions(mm):	DIA102.0×17.2
Type:	Zoom gear
Compatible lens:	CANON EF 16-35MM F/2.8L III USM
<b>19555</b> C1635III-F FOCUS GEAR FOR CANON EF 16-35MM F/2.8L III USM	
Dimensions(mm):	DIA100.7×61.8
Type:	Focus gear
Compatible lens:	CANON EF 16-35MM F/2.8L III USM
Compatible adaptor/extension ring:	#21271 Extension ring 70 with focus knob for Canon EF 11-24mm f/4L USM #21250 N120 Extension Ring 50 with Focus Knob

Remark: Nauticam supports only e-manuals. Please download corresponding product manuals on [Nauticam.com](http://Nauticam.com) website, or contact us for e-manuals.