

19567 CR2470-Z Zoom Gear for Canon RF 24-70mm F/2.8L IS
19568 CR2470-F Focus Gear for Canon RF 24-70mm F/2.8L IS

Instruction Manual

FOREWORD

Thank you for your purchase of a NAUTICAM product.

At NAUTICAM, we pride ourselves in the ability to recognize the requirements of professional as well as amateur underwater photographers and fulfill them through the innovative designs of our products. We strive to achieve a high level of user-friendliness by allowing stress-free installation and easy operation of all important functions of the camera.

Please read this manual carefully before using the product, this will maximize its performance as well as its lifetime.

WARRANTY

All NAUTICAM Products are warranted against any material and manufacturing defects for two years from the date of purchase for consumer use. This warranty only applies to products purchased from authorized NAUTICAM dealers and does not extend beyond the original retail purchaser.

To return your product for service, please contact your regional authorized service center(s). Please note that this warranty only applies when the product is purchased in the territory where the service center is located.

NAUTICAM does not hold responsibility for damage, of any nature, to any equipment used with and/or placed within our products.

NAUTICAM accepts no liability for any loss of captured images or the inability to capture images even if it is due to the malfunctioning of our products.

Unauthorized modifications and/or repairs of our products will automatically invalidate the warranty.

IDENTIFICATION OF PARTS

19567 CR2470-Z Zoom Gear for Canon RF 24-70mm F/2.8L IS

CR2470-Z Zoom Gear



CR2470-Z Zoom plastic C-ring



19568 CR2470-F Focus Gear for Canon RF 24-70mm F/2.8L IS

CR2470-F Focus Gear



CR2470-F Focus plastic C-ring



The tightness between gears and the lens can be adjusted by removing or adding rubber grips on either sides of the plastic C-ring, spare rubber grips are included in the package.

MOUNTING THE GEAR SET ON A LENS

Mounting the Zoom gear on a lens



1. Insert the zoom plastic C-rings as shown and place them over the lens.



2. Insert the Canon RF 24-70 zoom gear on the zoom plastic C-ring until it reaches the flange of the zoom plastic C-ring

Mounting the Zoom gear and Focus gear on a lens



1. Insert the zoom plastic C-rings as shown and place them over the lens

CONTROLLING THE GEAR



2. Insert the focus plastic C-rings as shown and place them over the lens and the flange of the zoom plastic C-ring

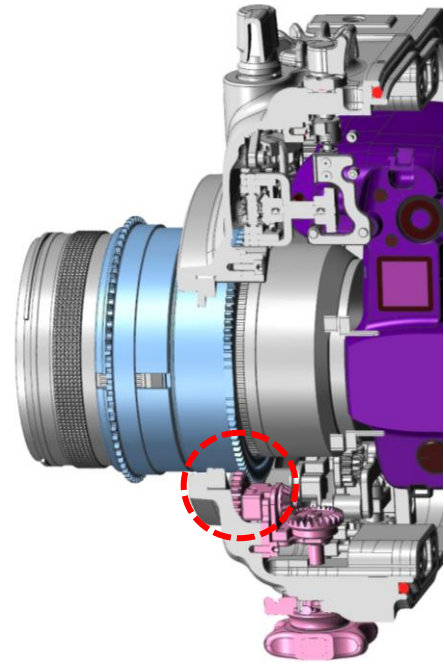


3. Insert the Canon RF 24-70 focus gear on the focus plastic C-ring until it reaches the flange of the focus plastic C-ring



4. Insert the Canon RF 24-70 zoom gear on the zoom plastic C-ring until it reaches the flange of the zoom plastic C-ring

5. To remove the gears, reverse the above steps



1. The Canon RF 24-70mm F/2.8L IS zoom gear can be controlled by zoom of the housing; The Canon RF 24-70 focus gear can be controlled by extension ring with focus knob. After mount the camera and lens (with gear installed) on the housing, confirm that the zoom and focus operates correctly.

SPECIFICATIONS

Product Name:	19567 CR2470-Z Zoom Gear for Canon RF 24-70mm F/2.8L IS
Dimensions:	Dia102 x 28mm
Type:	Zoom gear
Compatible lens:	Canon RF 24-70mm F/2.8L IS

Product Name:	19568 CR2470-F Focus Gear for Canon RF 24-70mm F/2.8L IS
Dimensions:	Dia102 x 28mm
Type:	Focus gear
Compatible lens:	Canon RF 24-70mm F/2.8L IS

Remark: Nauticam supports only e-manuals. Please download corresponding product manuals on Nauticam.com website, or contact us for e-manuals.

--- END ---