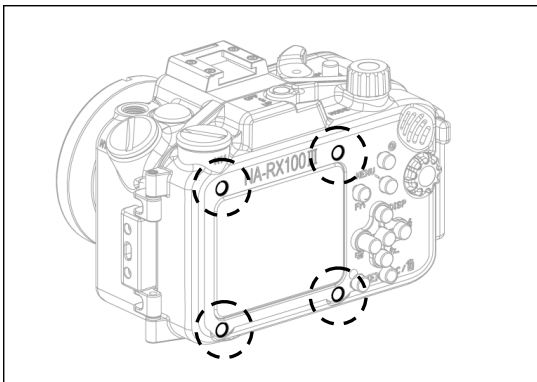


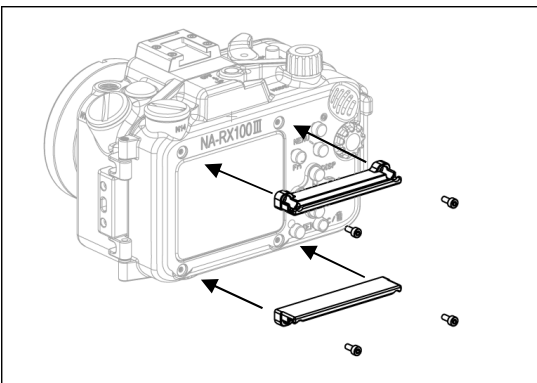
# 25131 LCD Magnifier attachment rails for NA-RX100III

## Instruction Manual

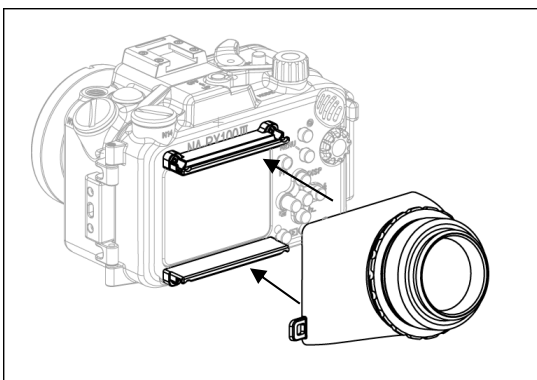
Please follow the instructions below to install the LCD Magnifier attachment rails on the housings.



1. Remove the four rubber caps from the rear housing.



2. Attach the rails to the housing above and below the LCD monitor window as shown and fasten it by the screws provided.



3. Attach the 25106 LCD Magnifier onto the rails above and below the LCD monitor window.