

26321 TTL Flash Trigger for Canon

Instruction Manual

FOREWORD

Thank you for your purchase of a NAUTICAM product.

At NAUTICAM, we pride ourselves in the ability to recognize the requirements of professional as well as amateur underwater photographers and fulfill them through the innovative designs of our products. We strive to achieve a high level of user-friendliness by allowing stress-free installation and easy operation of all important functions of the camera.

Please read this manual carefully before using the product, this will maximize its performance as well as its lifetime.

WARRANTY

All NAUTICAM Products are warranted against any material and manufacturing defects for two years from the date of purchase for consumer use. This warranty only applies to products purchased from authorized NAUTICAM dealers and does not extend beyond the original retail purchaser.

To return your product for service, please contact your regional authorized service center(s). Please note that this warranty only applies when the product is purchased in the territory where the service center is located.

NAUTICAM does not hold responsibility for damage, of any nature, to any equipment used with and/or placed within our products.

NAUTICAM accepts no liability for any loss of captured images or the inability to capture images even if it is due to the malfunctioning of our products.

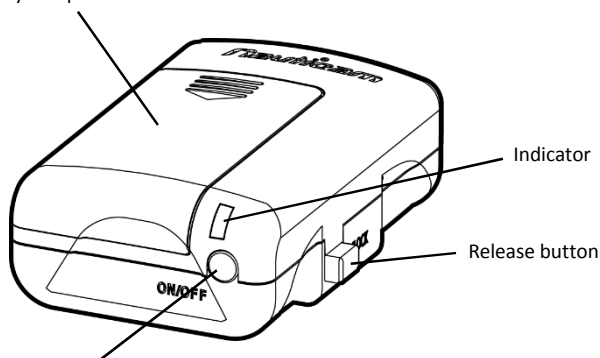
Unauthorized modifications and/or repairs of our products will automatically invalidate the warranty.

PRECAUTIONS

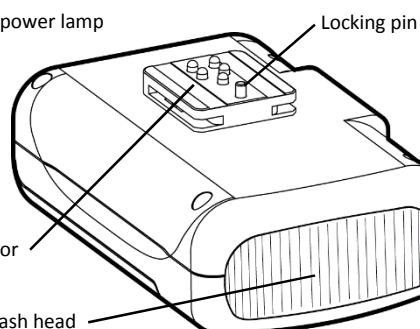
- Use only batteries approved for use in this product, do not mix old and new batteries.
- Check the battery terminals before installing into the product.
- Remove batteries for storage, do not store the product in an environment of high humidity.
- Do not leave the product in direct sunlight for prolonged periods.
- Keep out of reach of children, failure to do so could result in injury.
- Defective products should be shipped to our distributors for service, unauthorized disassembling and/or modifications could result in malfunction.

IDENTIFICATION OF PARTS

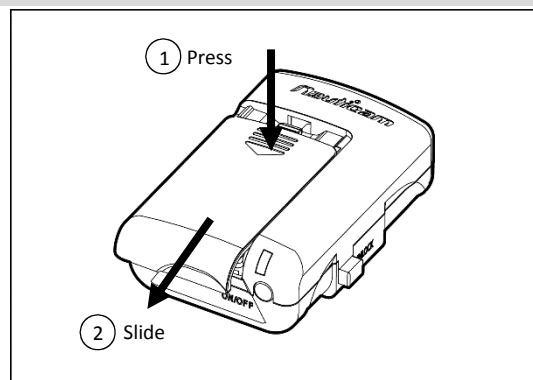
Battery compartment cover



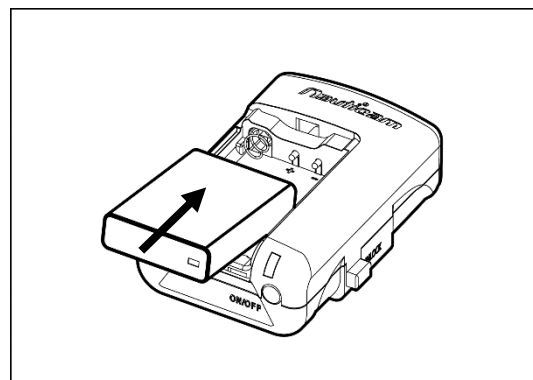
On/off button and power lamp



BATTERIES INSTALLATION

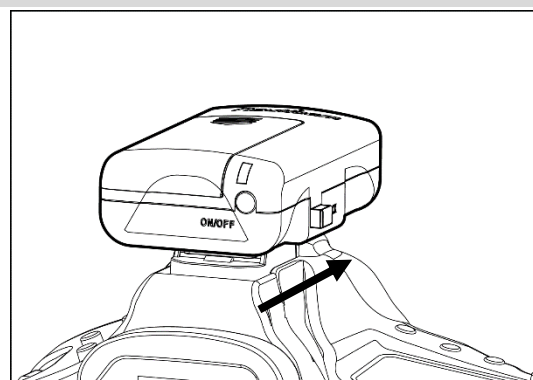


Press and slide the battery compartment cover and open it as shown by the arrows.



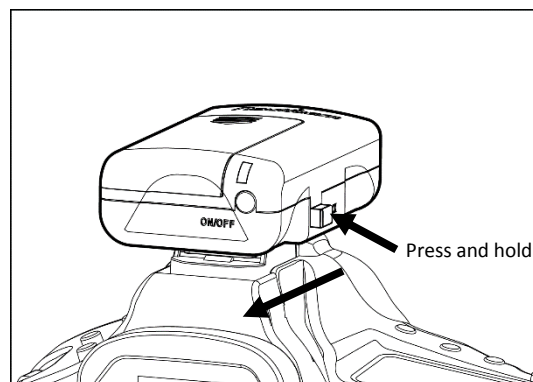
Install the battery. Make sure the +ve and -ve terminals are correctly oriented. Then return the cover to its original position.

CONNECT TO THE CAMERA



CAUTION: Be sure to turn off the flash trigger before attaching or detaching.

Slip the flash trigger's hotshoe connector into the camera's hotshoe until it cannot go any further.



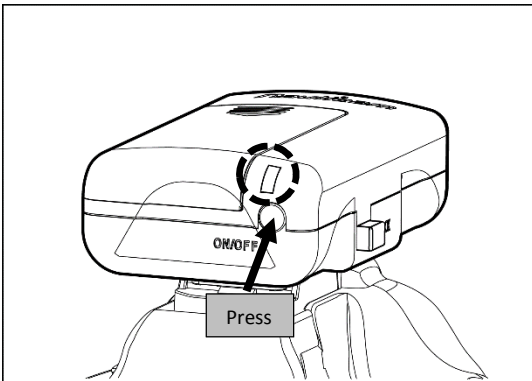
To remove the flash trigger, press and hold the release button and slide it out from the camera.

--- continue on next page ---

--- continued from front page ---

FLASH TRIGGER SETUP

Turning ON the Flash Trigger:



Press and hold the on/off button for at least 1 second to turn on the flash. The power lamp turns on and flash recycling starts. Check that the indicator is lit, when the indicator lights, you can shoot with the flash.

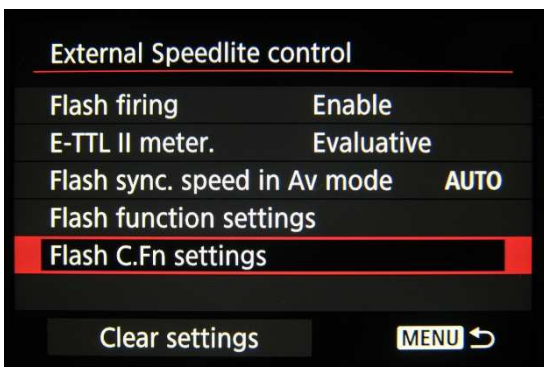
Setting the Flash Functions by Camera Operation:

When the flash trigger is attached to an EOS DIGITAL camera with an external flash control function, the following settings are available through camera menu operations. See camera's instruction manual for the setting method and functions.

- Flash firing (Enable/ Disable)
- Flash function settings
 - Flash mode (E-TTL II / Manual Flash)
 - Shutter sync. (1st curtain/ 2nd curtain)
 - Flash exp. Comp
 - E-TTL II (Evaluative / Average)
- Flash C.Fn settings
 - Auto power off (Enabled/ Disabled)

CAUTION: The following settings are required to set prior to close the housing and go underwater. Failure to do so will result in not triggering the external strobes.

1. Disable the auto power off function for external speedlite



Go to "External Speedlite Control" under "SHOOT" menu, and scroll down to "Flash C.Fn settings".



Select "Disabled" for Auto power off setting.

2. Disable the auto power off function of camera



Go to "SET UP" menu and set "Auto power off" to "Disable".

3. Install to the housing

With flash trigger attached, install the camera into the housing the same way as described in the housing's instruction manual. **Make sure the flash trigger is turned ON before closing the housing or going underwater.**

TIP: To save the battery life of the flash trigger, turn on 30mins before dive.

4. Underwater Operation

Do not turn off the camera at any time during the dive, this will result in turning off the flash trigger and will not be able to turn back on without opening the housing.

Attention:

1. Disable auto power off function for external speedlite.
2. Disable auto power off function of camera.
3. Turn ON the flash trigger before going underwater.
4. Do NOT turn off the camera during dive.

OPERATION

The TTL function of this flash trigger will work in "P" Program AE, "Tv" Shutter Priority AE, "Av" Aperture Priority AE and "M" Manual Exposure camera modes.

SPECIFICATIONS

Construction:	Body: PC+ABS
Dimensions:	Approx. 70 x 47 x 28mm
Weight:	Approx. 44g (w/ batteries installed)
Battery:	Canon NB-13L x1pc
Operation:	TTL or Manual
Flash Capacity:	Approx. 1000times
Compatible housings:	NA-1DXII, 1DX, 5DSR, 5DMKIII, 6D, 7DMKII, 80D, 70D
Compatible strobes:	INON: Z240 type 4, D2000 type 4, S2000 Sea&Sea: YS-D2, YS-D1, YS-01