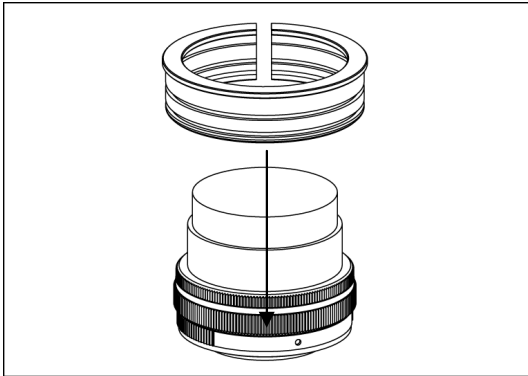


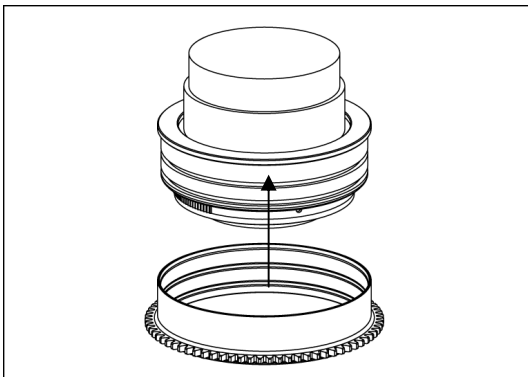
## 36047 01442EZ-Z

zoom gear for Olympus M.ZUIKO DIGITAL ED 14-42mm  
F3.5-5.6 EZ

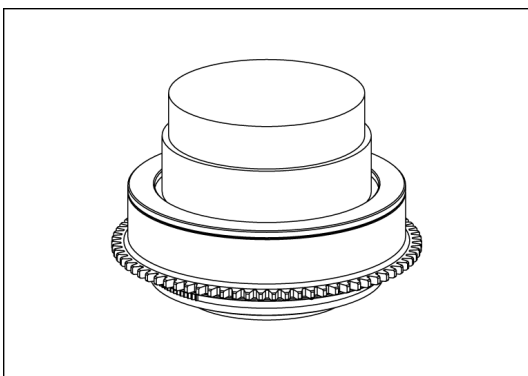
Please follow the instructions below to mount the dedicated zoom gear on the lens.



1. Insert the plastic c-ring as shown and place it over the lens zoom ring.



2. Insert the gear of O1442EZ-Z on the plastic c-ring until it reaches the flange of the plastic c-ring.



3. To remove the O1442EZ-Z gear, reverse the above steps.
4. The tightness between the O1442EZ-Z gear and the lens can be adjusted by removing or adding rubber grips on the outer side of the plastic c-ring, spare rubber grips are included in the package.

Tips: After zoomed-in or out, retract the zoom knob to its original position.