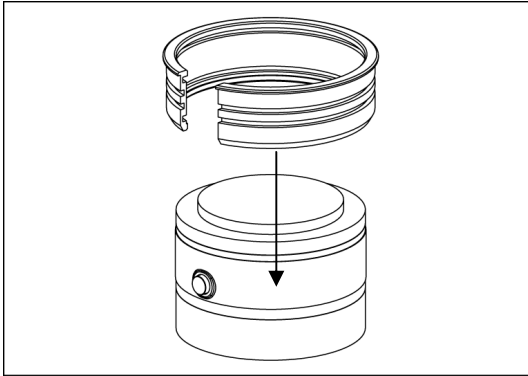


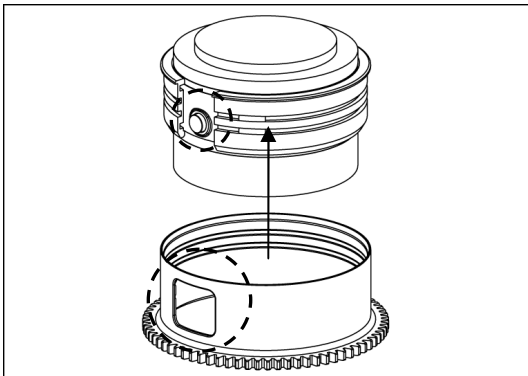
36152 N1030-Z

Zoom gear for Nikon 1 Nikkor VR 10-30mm f/3.5-5.6

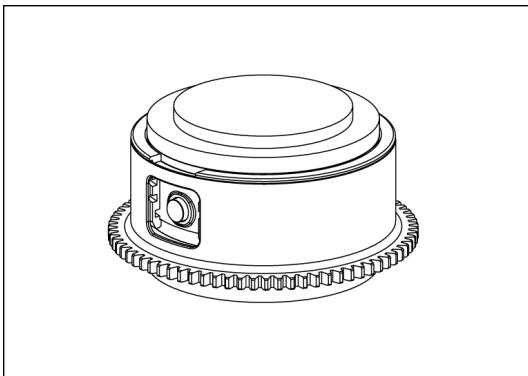
Please follow the instructions below to mount the dedicated zoom gear on the lens.



1. Insert the plastic c-ring as shown and place it over the lens zoom ring.



2. Align the "opening" of the gear with the button on the lens barrel. Insert the gear of N1030-Z on the plastic c-ring until it reaches the flange of the plastic c-ring.



3. To remove the N1030-Z gear, reverse the above steps.
4. The tightness between the N1030-Z gear and the lens can be adjusted by removing or adding rubber grips on either sides of the plastic c-ring, spare rubber grips are included in the package.