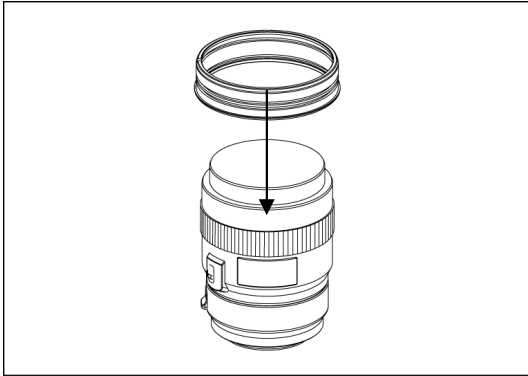


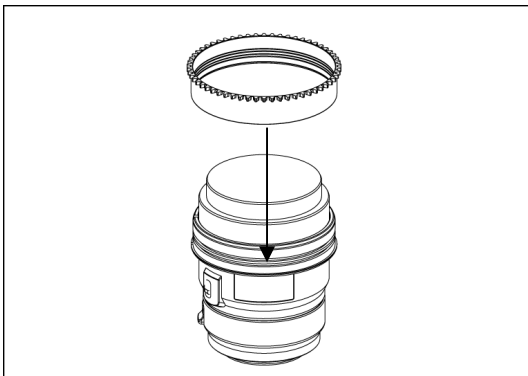
EEF60-F & EEF60 port

Macro Port and Focus gear set
for Metabones Canon EF Lens to Sony NEX Smart Adapter II
and Canon EF-S 60mm f2.8 Macro USM

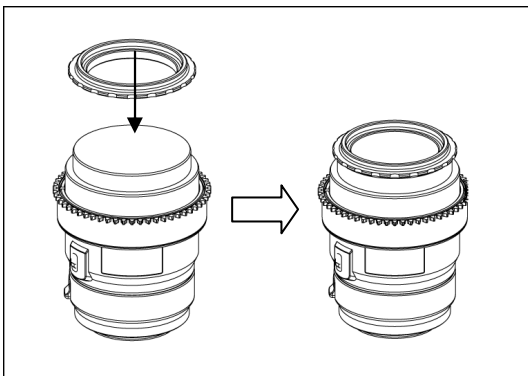
Please follow the instructions below to mount the dedicated focus gear on the lens.



1. Insert the plastic c-ring as shown and place it over the lens rubber focus ring.



2. Insert the gear of EEF60-F on the plastic c-ring until it reaches the flange of the plastic c-ring.

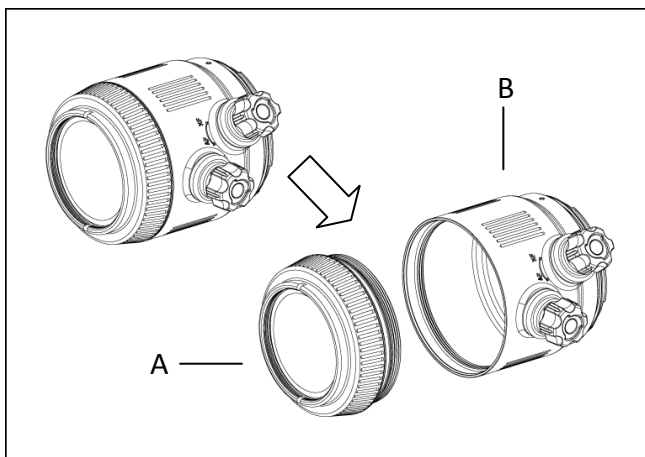


3. Mount the alignment ring onto the lens by screwing it into the thread on the front of the lens.
4. To remove the EEF60-F gear, reverse the above steps.
5. The tightness between the EEF60-F gear and the lens can be adjusted by removing or adding rubber grips on either sides of the plastic c-ring, spare rubber grips are included in the package.

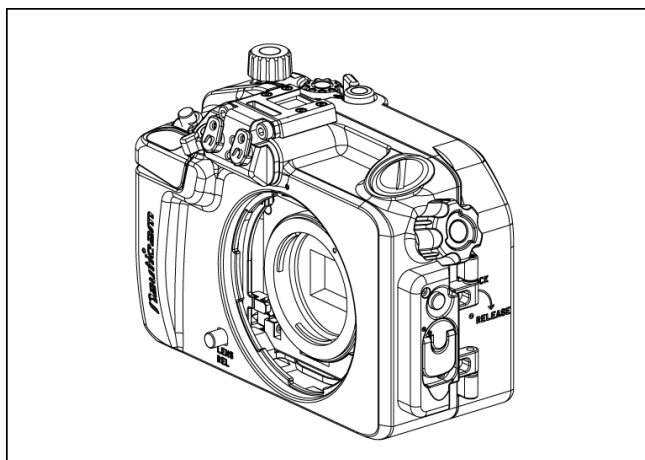
EEF60-F & EEF60 port

Macro Port and Focus gear set
for Metabones Canon EF Lens to Sony NEX Smart Adapter II
and Canon EF-S 60mm f2.8 Macro USM

Please follow the instructions below to mount the dedicated Macro port on the housing.

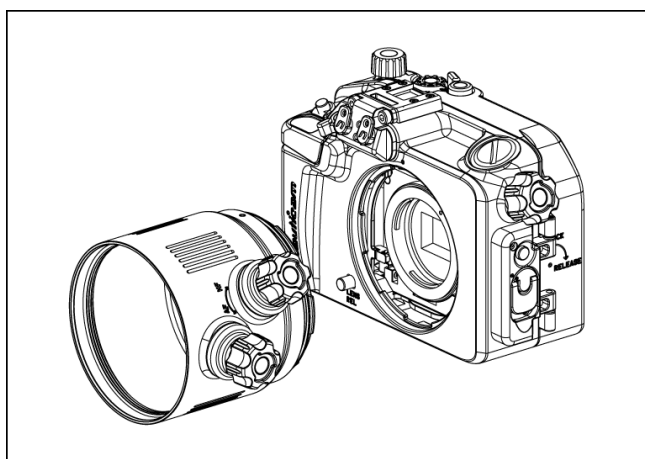


1. Detach A from the port by turning it anti-clockwise while holding B firmly.



2. Install the camera body only into the housing.

*Please refer to the housing manual for installing camera into the housing.

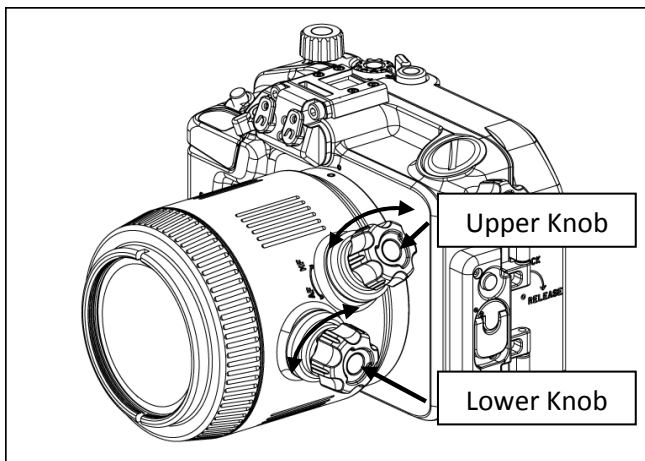
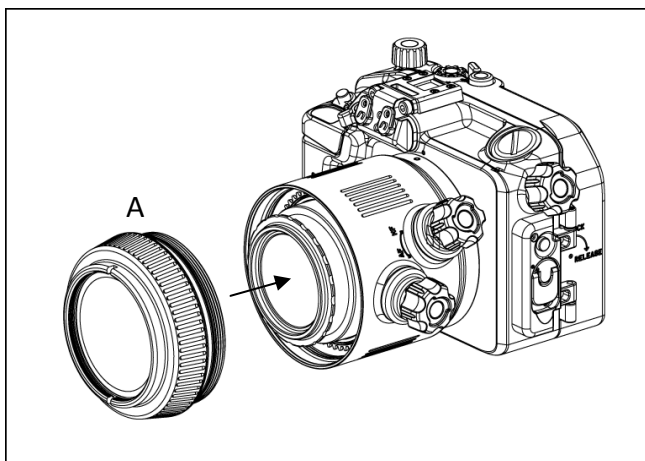
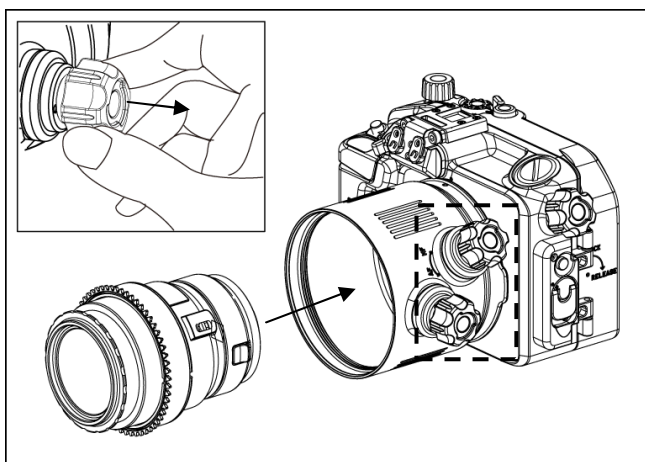


3. Align the port mounting indices of B and the housing. Gently push B into the port opening of the housing, until it cannot go in any further.

*Please refer to housing manual for locking and un-locking the port.

EEF60-F & EEF60 port

Macro Port and Focus gear set
for Metabones Canon EF Lens to Sony NEX Smart Adapter II
and Canon EF-S 60mm f2.8 Macro USM



4. Make sure the two knobs are at its most outwards position before mounting/ un-mounting the lens. The knobs should be left at this position until it is made sure that the lens and gear is properly installed.

5. Remove the O-ring from A, inspect for any damage and lightly coat it with the provided lubricant. Clean the O-ring groove before placing it back.

6. Verify that the threaded section of B and sealing surface are clean and free from foreign material.

7. Align the external threaded section of A and the internal threaded section of B.

8. Attach A on B by holding the housing firmly and turning A clockwise until it cannot go in any further.

9. Engage the lens AF/MF switch by pushing in the upper knob, then turn the knob both ways to check if the lens is switching between auto and manual focus.

10. Engage the gear by pushing in the lower knob, then turn the knob both ways to check if the lens manual focusing is functioning.

11. To un-mount the port, reverse the above steps.