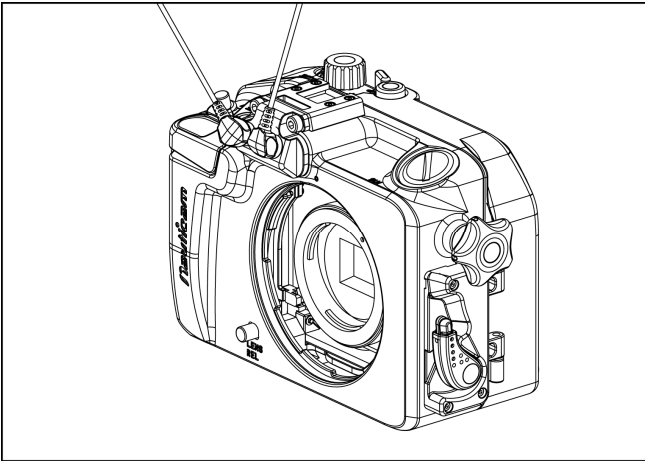


36204 N85 to N120 60mm port adaptor for Sony E-mount System

Instruction Manual

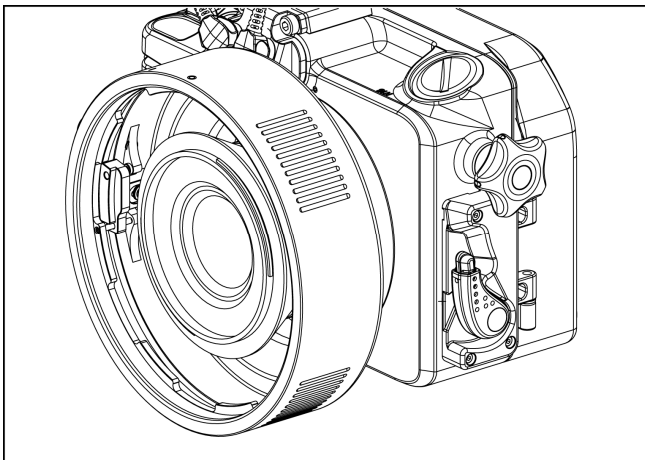
Please follow the instructions below to mount the adaptor on a port.



1. For Zeiss 12mm lens: Install the camera body only into the housing and attach the optical fiber cables to the housing.

For Sony 10-18mm lens: Attach the optical fiber cables to the housing and then mount the N85 to N120 port adaptor to the housing.

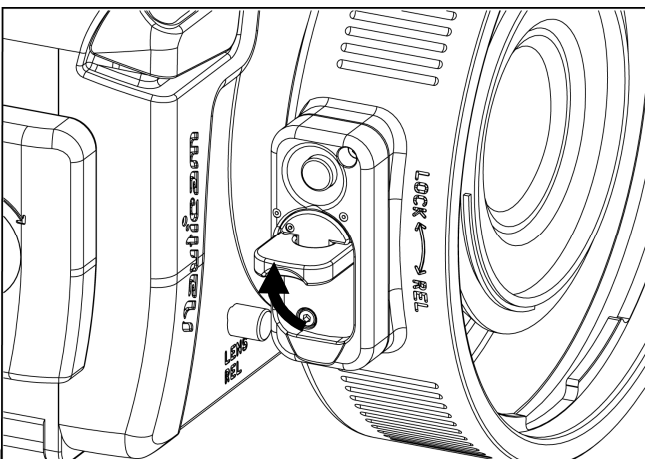
**Please refer to the housing manual for installing camera and mounting port to the housing.*



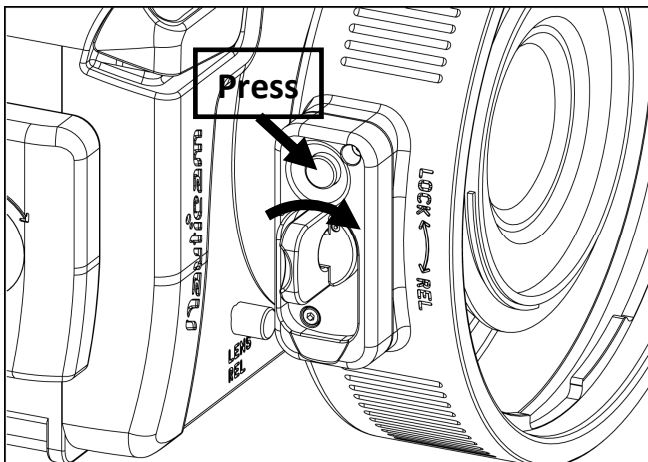
2. For Zeiss 12mm lens: Mount the N85 to N120 port adaptor to the housing, then mount the lens on the camera.

For Sony 10-18mm lens: Mount the lens (with gear attached) on the camera, then install the camera into the housing.

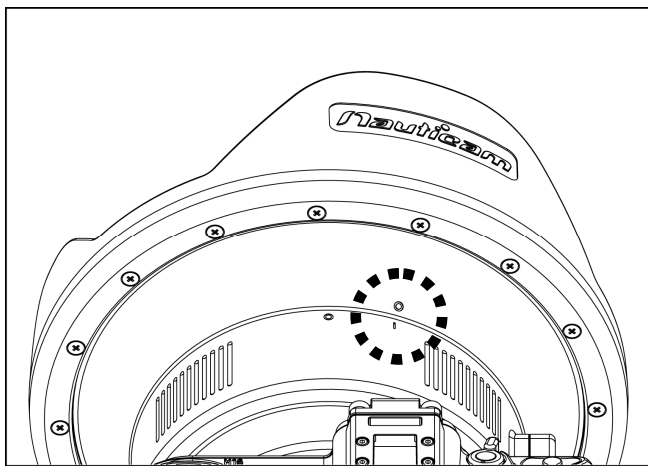
**Please refer to the housing manual for installing camera and mounting port to the housing.*



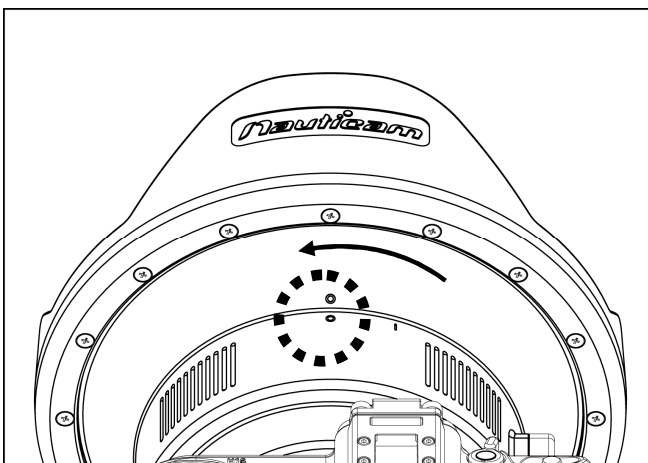
3. Lift the Port lock/ release latch on the other side of the adaptor.



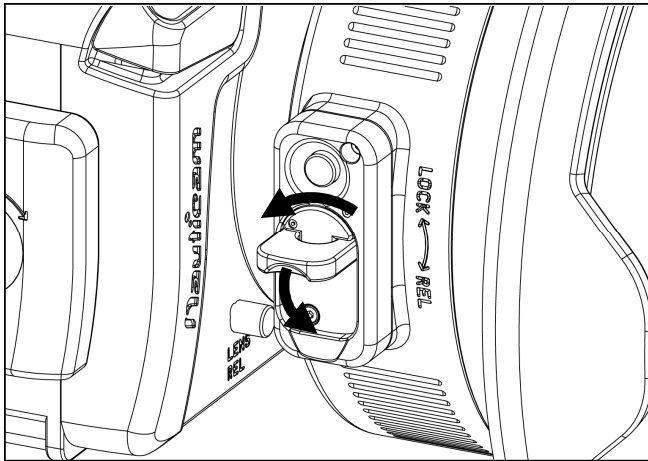
4. Press and hold the port release safety button, turn the port lock/release latch clockwise until it stops.



5. Align the "I" mark on the adaptor with the WHITE dot on the port. Gently push the port towards the adaptor until it cannot go in any further.



6. Turn the port anti-clockwise until the white dot on the adaptor aligns with the white dot on the port.



7. To lock the port in place, turn the port lock/release latch anti-clockwise to the original position and then flip it down.
8. To unlock, reverse the above procedures.