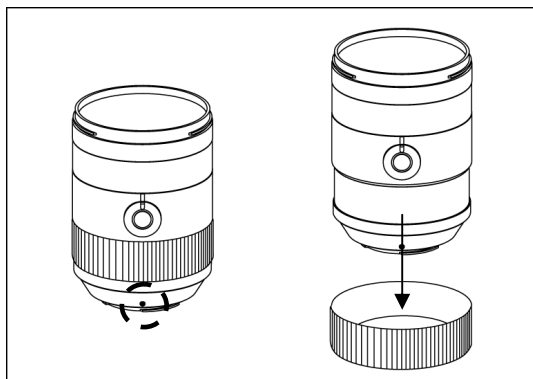


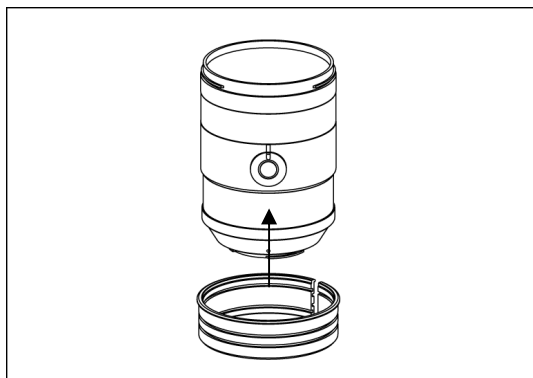
37143 SEA1635-Z

Zoom gear for LA-EA3 with SAL1635Z Vario-Sonnar T* 16-35mm F2.8 ZA SSM

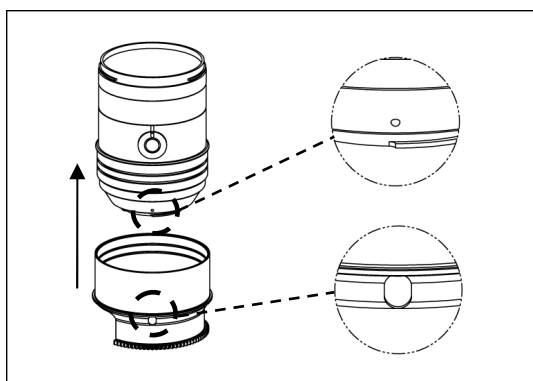
Please follow the instructions below to mount the dedicated zoom gear on the lens.



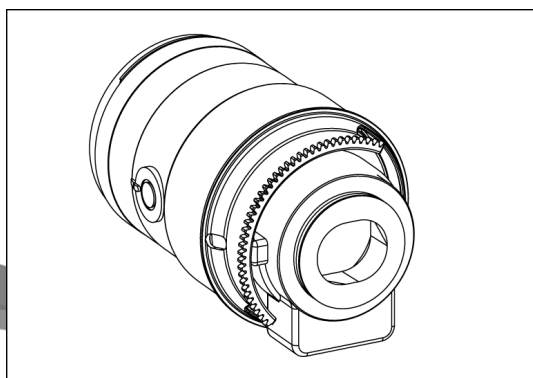
1. Prepare the lens and keep the index mark facing towards you. Retract the lens to its shortest length, i.e. at 16mm focal length.
2. Remove the zoom rubber ring from the lens carefully.



3. Insert the plastic c-ring as shown and place it onto the zoom rubber ring recess of the lens.



4. Align the lens index mark with the opening on the gear of SEA1635-Z, insert the gear of SEA1635-Z on the plastic c-ring until it reaches the flange of the plastic c-ring.



5. Attach the LA-EA3 to the lens.
6. To remove the SEA1635-Z gear, reverse the above steps.
7. The tightness between the SEA1635-Z gear and the lens can be adjusted by removing or adding rubber grips on either sides of the plastic c-ring, spare rubber grips are included in the package