

83201 Wet Wide Lens 1 (WWL-1) 130 deg. FOV with compatible 28mm Lenses

Instruction Manual

Specifications:

| | | |
|----------------------------|--|---|
| Construction | Housing body: | Aluminium alloy |
| | Surface treatment: | Hard anodized |
| | Lenses: | 6 elements in 5 groups |
| | Coating: | Both side Anti-reflection Multi-layer coating |
| Dimensions | Diameter: | 130mm |
| | Length: | 97mm |
| Weight (Air / Underwater) | 1.24kg / 0.62kg | |
| Depth rating | 100m | |
| Field of view (underwater) | 130° (Ref. 28mm equiv.) | |
| Focal distance | From front element of lens to infinity | |
| Mount system | M67 or NA Bayonet | |

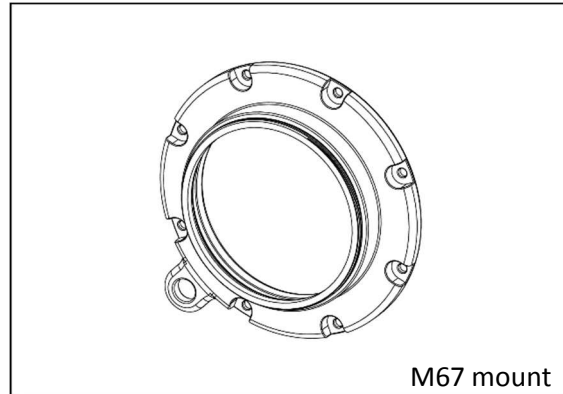
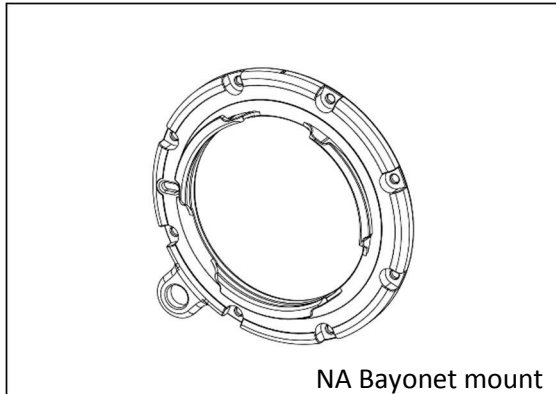
Package Contents:

- 83201 Wet Wide Lens 1 (WWL-1)
- 25024 Neoprene cover
- 83221 Rear lens cap for WWL-1
- 83211 M67 Mounting Ring for WWL-1
- 83212 Bayonet Mounting Ring for WWL-1^(*1) (Pre-installed)
- Carrying Bag
- Cleaning Cloth

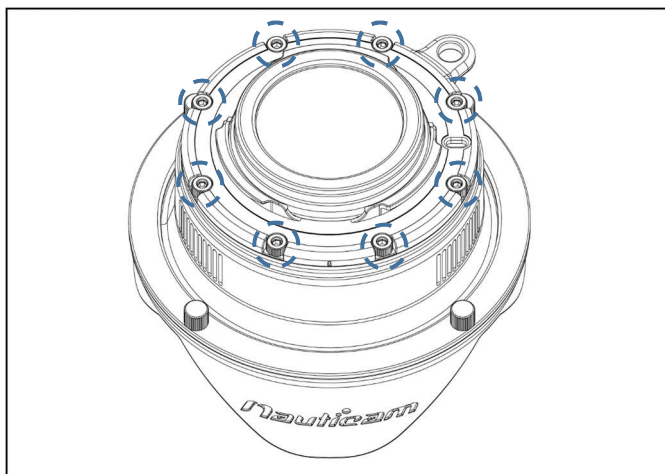
(*1) – Require 83213 M67 to Bayonet Mount Converter.

Changing the Mounting Ring:

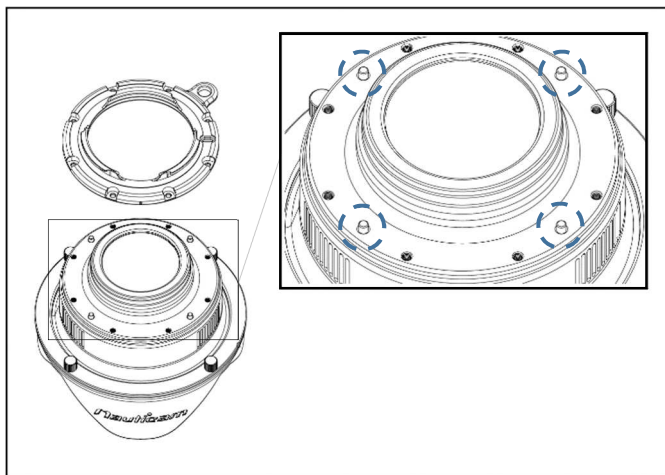
The WWL-1 comes with two mounting rings with NA Bayonet mount pre-installed.



Follow below instruction to change the mounting ring:

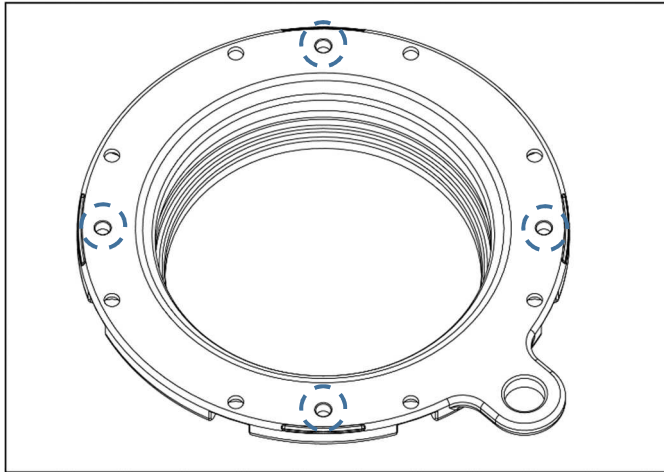


1. Remove the eight screws from the back of the lens.

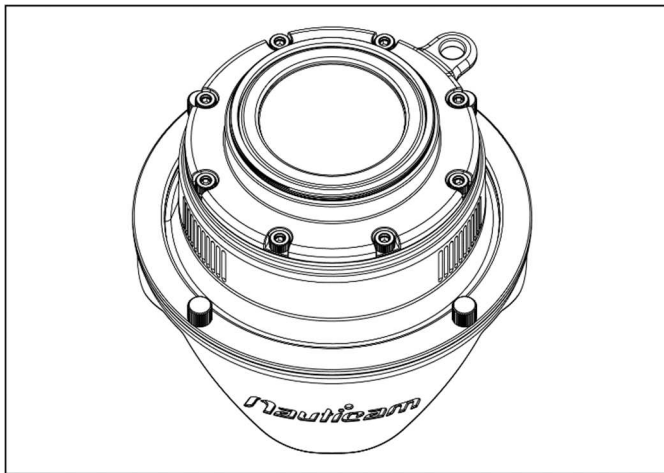


2. Remove the 67mm mount ring.

Note that there are 4 small, black, cylindrical, locating pins. All 4 pins should remain in the back of the lens.



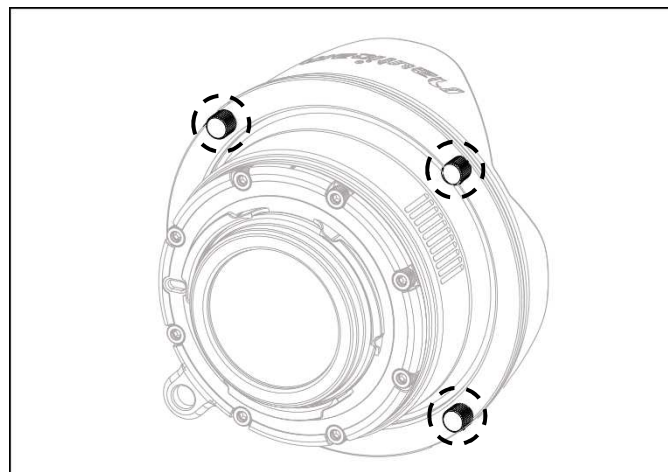
3. Observe the 4 small sockets in the bayonet ring. Place the bayonet ring onto the WWL and rotate the ring until it seats on the WWL.



4. Secure the mounting ring by tightening the eight screws. Do not over-tighten, the screws only need to be snug.

Adjusting the Lens Hood Position:

To adjust the position of the lens hood, slightly loose the four thumb screws as indicated below (one is not visible from below image). Turn the hood to the desired position and secure by tightening the four thumb screws.



Care and Maintenance:

The following procedures are advised to be followed:

- The WWL-1 should be rinsed thoroughly in fresh water after each dive.
- Dry and clean the glass surface of the WWL-1 with the cloth provided.
- Cover the lens with the provided covers when not in use.
- DO NOT use any kind of abrasive solutions to clean the glass surfaces.

Optional Accessories:

- 83213 M67 to Bayonet Mount Converter
- 83215 M77 to Bayonet Mount Converter
- 83214 Bayonet Mount Holder for SMC/CMC
- 83222 Bayonet Mount Lens Holder for Arms
- 83223 Bayonet Mount Double Lens Holder for Arms

Warranty:

1. This product is warranted against any material and manufacturing defects for one year from the date of purchase for consumer use. This warranty only applies to products purchased from authorised NAUTICAM dealers and does not extend beyond the original retail purchaser.
2. To return your product for service, please contact your regional authorized service centre(s). Please note that this warranty only applies when the product is purchased in the territory where the service centre is located.
3. NAUTICAM accepts no liability for any damage to and defects in the housing caused by improper use and/or poor maintenance; it is the responsibility of the owner to carefully follow the instructions in our manuals.
4. NAUTICAM does not hold responsibility for damage, of any nature, to any equipment used with and/or placed within our products.
5. NAUTICAM accepts no liability for any loss of captured images or the inability to capture images even if it is due to the malfunctioning of our products.
6. Unauthorised modifications and/or repairs of our products will automatically invalidate the warranty.