

WACP-1B

N120/N100 0.36x Wide Angle Conversion Port Compact
with Intergrated Float Collar and Interchangeable Port Mounting Ring

PN 85206

User Manual

Underwater Optics

Introduction	2
Package Contents	2
Important Instructions	3
Part Names	4
Interchangeable Port Mounting Ring	5
WACP-1B to Adaptor/Extension Ring	6
Specifications	7
Care/Storage	8
Warranty	9

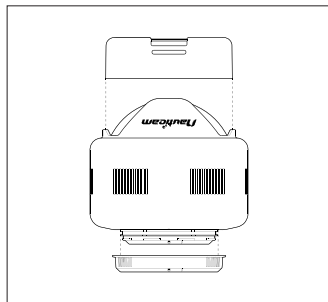
INTRODUCTION

Thank you for purchasing this Nauticam product.

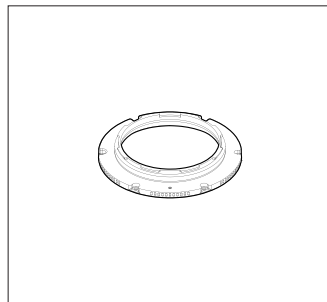
Before using the product, please read this manual thoroughly to familiarize yourself with full scope of functions on the product as well as ensuring that you will use the product correctly.

PACKAGE CONTENTS

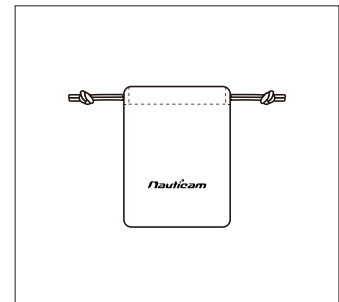
Make sure that you have all the included items listed below before using this product. If some items are missing or damaged, contact your local Nauticam dealer.



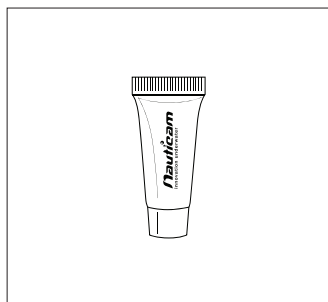
WACP-1B
(with N120 Mounting Ring)
(1 x Front Hard Lens Cap, 1 x Rear Lens Cap)



N100 Mounting Ring



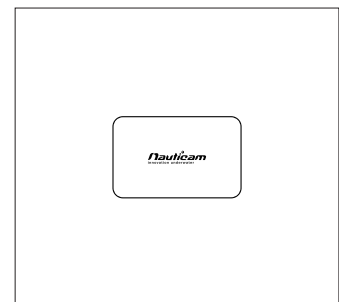
Rope Bag



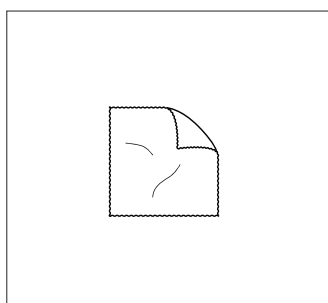
Lubricant



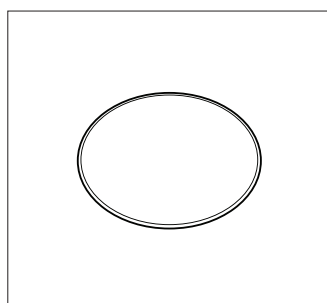
Padded Travel Case



Manual Instruction Card



Clean Cloth



90140 N120 Spare O-ring
90141 N100 Spare O-ring

IMPORTANT INSTRUCTIONS

1

Water-tight test of the housing (without camera inside) along with WACP-1B before usage is recommended.

2

Do not use any kind of abrasive solution to clean the glass surfaces.

3

Do not expose the housing in direct sunlight for a prolonged period.

4

Do not point of the lens directly towards the sun.

5

Do not sealed the housing system when travelling by air.

6

Defective products should be shipped to our distributors for service. Do not attempt to disassemble and /or modify any part of the lens.

7

Do not open the housing system in wet or sandy environment. Protect the housing and lenses from moisture and debris in order to prevent malfunction or leakage.

8

Prevent any sand or dust or water penetration inside the housing and in between lenses. Be extra careful when changing lens and inserting or removing the camera.

9

The housing setup should be positioned on the a stable and safe surface on land.

10

Do not jump in water carrying the housing setup. Always have the setup handed to you when you are in water.

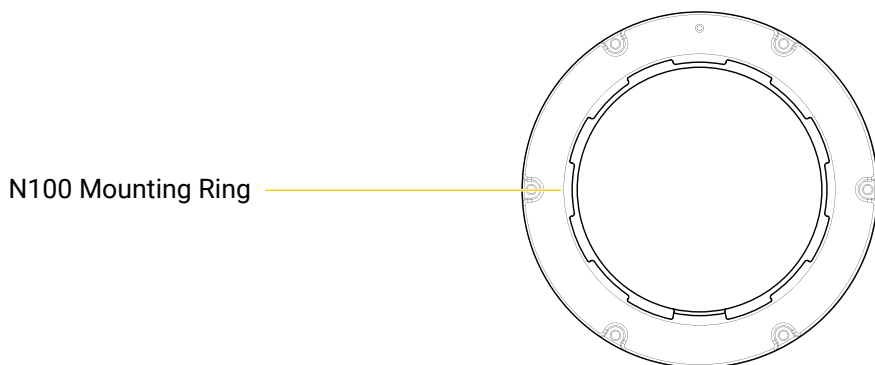
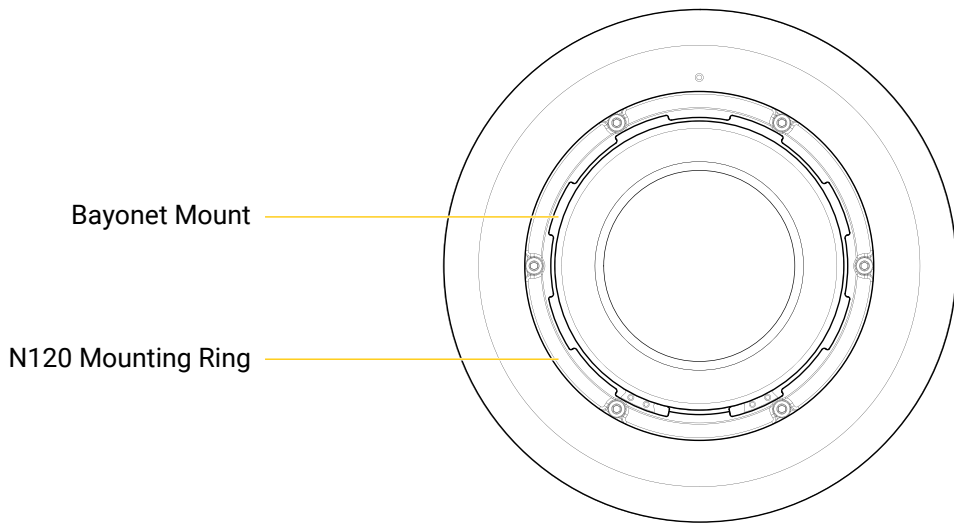
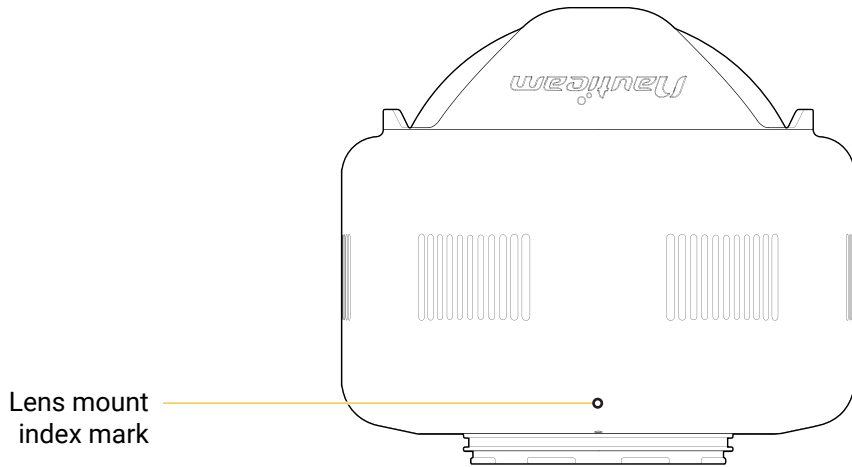


11

This product is not intened for use by children, or persons with reduced physical, sensory or mental capabilities, or lack of experience and knowledge, unless they are supervised and/ or given instruction by a responsible person concerning use of the product to ensure that they can use it safely.

PART NAMES

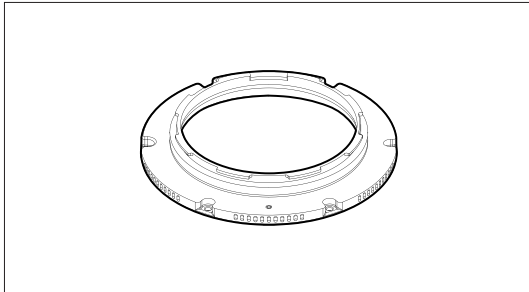
Top & Rear View



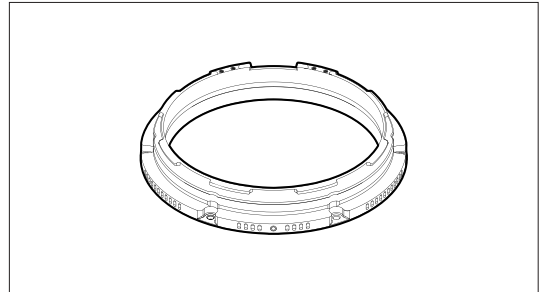
INTERCHANGEABLE PORT MOUNTING RING

* drawings as illustrations only

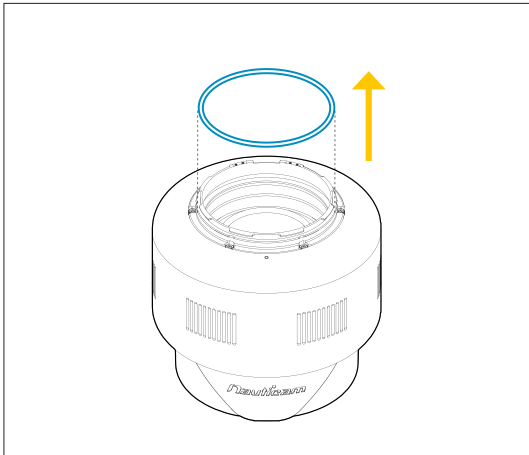
N100



N120

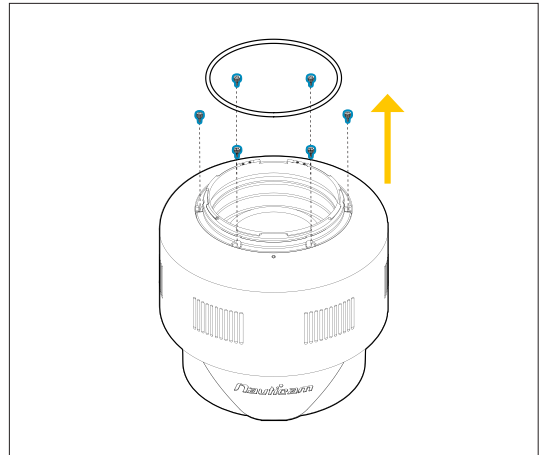


1



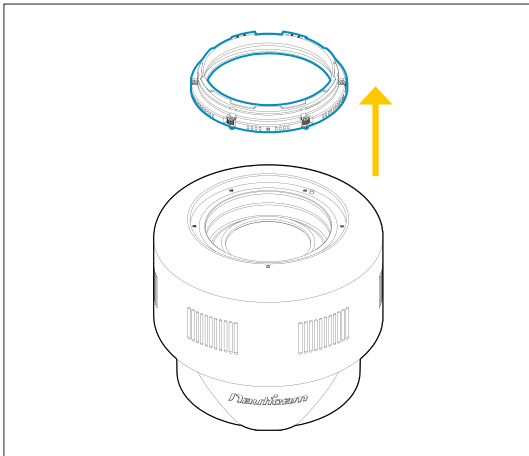
first remove the o-ring from N120 mounting ring

2



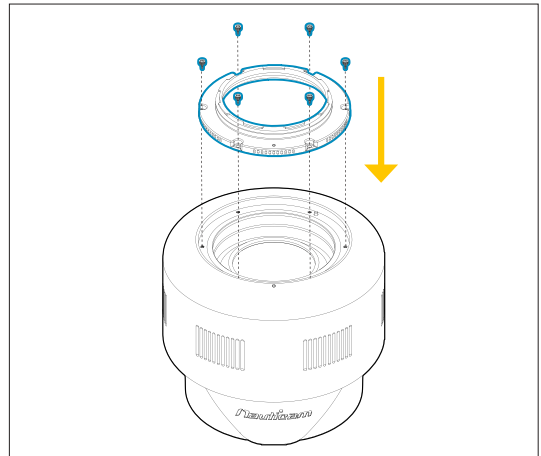
remove the six screws from WACP-1B body

3



take out the N120 mounting ring

4

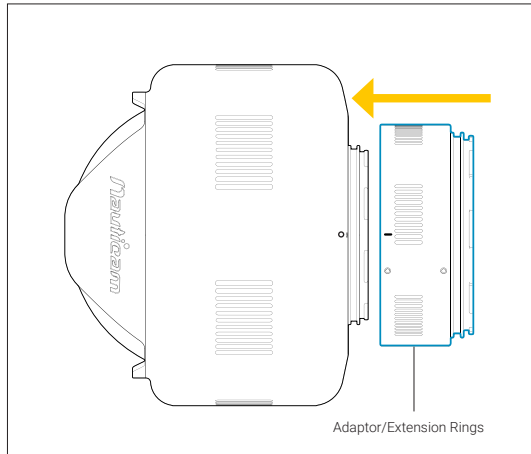


replace with the N100 mounting ring and screw back the six screws onto WACP-1B body

WACP-1B TO ADAPTOR/EXTENSION RING

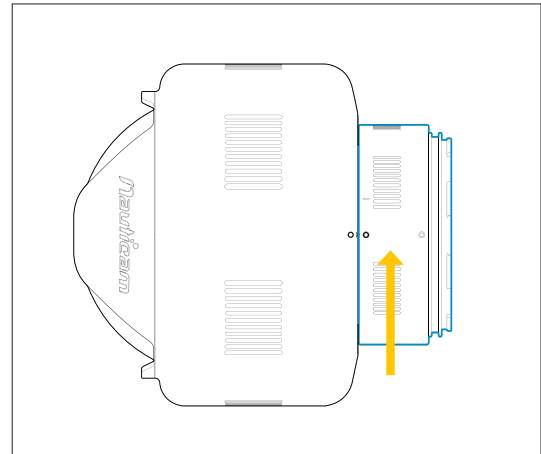
* drawings as illustrations only

To Assemble



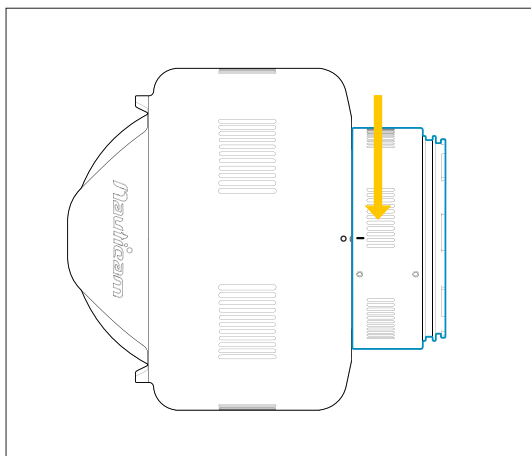
Confirm that the adaptor or extension ring is unlocked.
(Please refer to the corresponding manual for adaptor or extension ring installation.)

Align the 'O' index on the WACP-1B with the 'I' index on the adaptor/extension ring, and gently push the adaptor/extension ring towards the WACP-1B until it cannot go any further

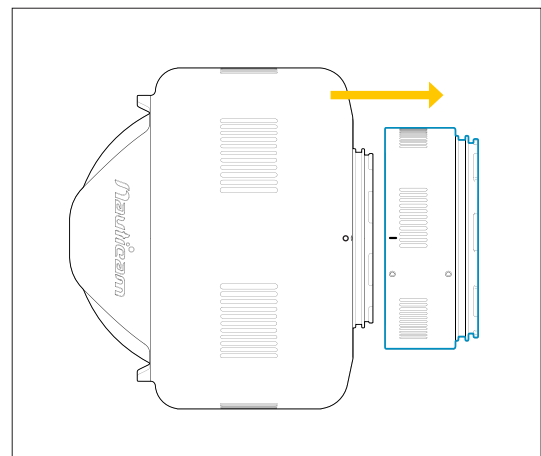


Turn the adaptor/extension ring until the 'O' index on the lens is aligned with 'O' index on the adaptor / extension ring.

To Disassemble



To un-mount the lens from adaptor/extension ring, reverse the above steps.



SPECIFICATIONS

85206 WACP-1B

Outer diameter x Length	DIA 194mmx174mm
Weight in air	3.7 kg
Buoyancy in water	Negative 0.01 kg
Body construction	Hard-anodized aluminum alloy
Lens construction	6 elements in 5 groups
Lens coating	Anti-reflection coating on both sides
Focal range	From front element of lens to infinity
Maximum FOV Underwater	130° (Ref. 28mm equivalent)
Mount system	Interchangable N120 or N100 Port Mount
Depth rating	150m
Pre-installed	Aluminum float collar integrated

Compatibility

N120	CINEMA SYSTEM	Canon EF-S 18-55mm f/3.5-5.6 IS STM
		Sigma 18-35mm F1.8 DC HSMIA
		Canon EF 28-70mm f/3.5-4.5 II
		Canon EF 28-80mm f/3.5-5.6 V USM
		Canon RF 15-30mm f/4.5-6.3 IS STM
		Canon EF 16-35mm f/2.8 III USM
N120	NIKON F-MOUNT	Canon EF 16-35mm f/4L IS USM
		Nikon AF-S DX Micro NIKKOR 18-55mm f/3.5-5.6G VR II
		Nikon AF-S Nikkor 28mm f/1.8 G
		Nikon AF Nikkor 28mm f/2.8D
		Nikon AF Nikkor 28-70mm f/3.5-4.5D
		Nikon AF-S NIKKOR 16-35mm f/4G ED VR
N120	NIKON Z-MOUNT	Nikon AF-S 17-35mm f/2.8D IF-ED
		Nikon AF-S 18-35mm f/3.5-4.5G ED
		Nikkor Z 24-70mm f/4 S Lens
		Nikkor Z 28-75mm f/2.8 Lens
		Nikkor Z 35mm f1.8 S
		Sony SEL2870 FE 28-70mm F3.5-5.6 OSS with Megadap ETZ 21 Adaptor
N120	CANON EF-MOUNT	Canon EF-S 18-55mm f/3.5-5.6 IS STM
		Sigma 18-35mm F1.8 DC HSM A
		Canon EF 28mm f/1.8 USM
		Canon EF 28mm f/2.8 USM
		Canon EF 28-70mm f/3.5-4.5 II
		Canon EF 28-80mm f/3.5-5.6 II
		Canon EF 28-80mm f/3.5-5.6 V USM
		Canon EF 35mm f/2 IS USM
		Canon EF 16-35mm f/2.8 III USM
		Canon EF 16-35mm f/4 IS USM
		Canon EF 17-40mm f/4L USM

N120	CANON RF-MOUNT	Canon RF 15-30mm f/4.5-6.3 IS STM
N120	PANASONIC L-MOUNT	Panasonic Lumix S 24-105mm f/4
		Canon EF 28-70mm f/3.5-4.5 II with Sigma Mount Converter MC-21
N120	FUJIFILM G-MOUNT	Fujifilm GF 35-70mm f/4.5-5.6 WR
		Fujifilm GF 45mm f/2.8 R WR
N100	SONY E-MOUNT	Canon EF 28-70mm f/3.5-4.5 II with Metabones EF-GFX mount Smart Expander 1.26x
		Sony FE PZ 16-35mm f/4 G
		Sony SEL2860 FE 28-60mm F4-5.6
		Sony SEL2870 FE 28-70mm F3.5-5.6 OSS
N85	MICRO FOUR THIRDS	Sigma 24-70mm f/2.8 DG DN Art
		Tamron 28-75mm f/2.8 Di III RXD
		Olympus M.ZUIKO DIGITAL ED 12-40mm f/2.8 PRO
		Olympus M.ZUIKO DIGITAL ED 12-45mm f/4 PRO
		Panasonic LUMIX G X Vario 12-35mm F2.8 I/ II ASPH. POWER O.I.S.

CARE/STORAGE

1

Soak the housing system along with the WACP-C in fresh water after salt water usage.; wipe the housing with a towel before opening.

2

Remove dust and other foreign matter from the dome port cover/cap before attaching them.

3

Blow off dust with an air blower or clean antistatic brushes from optical surfaces.

4

When you've finished washing your optical product, wipe it gently with a microfiber cloth and allow to dry in the shade or a cool room.

5

Always store your optical product in the provided pouches or containers when not in use.

6

Store the optical product in a dry and clean place.

7

After rinsing the housing, be careful not to drip salt water on the dome port or housing if you are still wet from diving.

8

After each day of diving, it is advisable to have both the housing main O-ring and port O-ring removed from their grooves with the O-ring remover and inspected for damage. Also check that the O-ring retains its original circular shape; never stretch the O-ring excessively or remove it with a sharp object. The O-ring groove should be cleaned to ensure it is free from any salt deposit or foreign material; lightly coat the O-ring with the provided lubricant before reinstalling it in the groove. A damaged O-ring should be discarded immediately and replaced only with one that is provided by NAUTICAM.

9

Use clean, lint free, and soft single-use paper based optics cleaning tissues/pads and avoid abrasive particle contamination of your cleaning supplies and cloths (e.g. by sand) (Dry and clean the dome surface with a microfiber cloth. / Do not use any kind of abrasive solutions to clean the dome surface.)

WARRANTY

All NAUTICAM Housing Products and Viewfinders are warranted against any material and manufacturing defects for two years from the date of purchase for consumer use. NAUTICAM Optical Accessories are warranted against material and manufacturing defects for a period of one year, and HDMI cables carry a year warranty.

This warranty only applies to products purchased from authorized NAUTICAM dealers and does not extend beyond the original retail purchaser.

To return your product for service, please contact your regional authorized service center(s). Please note that this warranty only applies when the product is purchased in the territory where the service center is located.

NAUTICAM accepts no liability for any damage to and defects in the housing caused by improper use and/or poor maintenance; it is the responsibility of the owner to carefully follow the instructions in our manuals.

NAUTICAM does not hold responsibility for damage, of any nature, to any equipment used with and/or placed within our products.

NAUTICAM accepts no liability for any loss of captured images or the inability to capture images even if it is due to the malfunctioning of our products.

Unauthorized modifications and/or repairs of our products will automatically invalidate the warranty.

Nauticam Internationl Ltd.

Rm 2203, CCT Telecom Bldg,
11 Wo Shing St,
Fo Tan,
Hong Kong

Tel. +852 - 26902711
Fax. +852 - 26909778
URL. www.nauticam.com
Gallery. www.nauticam.smugmug.com