

83214 Bayonet Mount Adaptor for SMC/CMC

Instruction Manual

FOREWORD

Thank you for your purchase of a NAUTICAM product.

At NAUTICAM, we pride ourselves in the ability to recognize the requirements of professional as well as amateur underwater photographers and fulfill them through the innovative designs of our products. We strive to achieve a high level of user-friendliness by allowing stress-free installation and easy operation of all important functions of the camera.

Please read this manual carefully before using the product, this will maximize its performance as well as its lifetime.

WARRANTY

All NAUTICAM Products are warranted against any material and manufacturing defects for two years from the date of purchase for consumer use. This warranty only applies to products purchased from authorized NAUTICAM dealers and does not extend beyond the original retail purchaser.

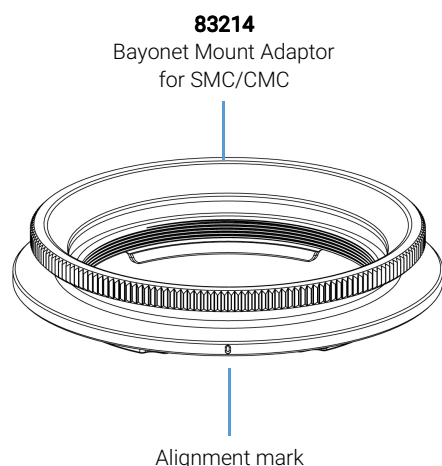
To return your product for service, please contact your regional authorized service center(s). Please note that this warranty only applies when the product is purchased in the territory where the service center is located.

NAUTICAM does not hold responsibility for damage, of any nature, to any equipment used with and/or placed within our products.

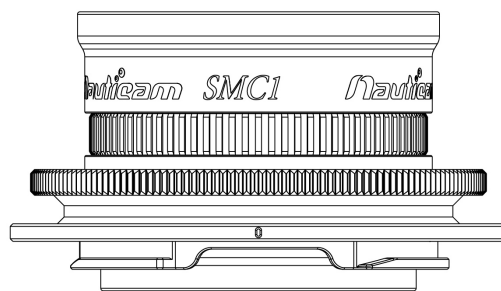
NAUTICAM accepts no liability for any loss of captured images or the inability to capture images even if it is due to the malfunctioning of our products.

Unauthorized modifications and/or repairs of our products will automatically invalidate the warranty.

IDENTIFICATION OF PARTS

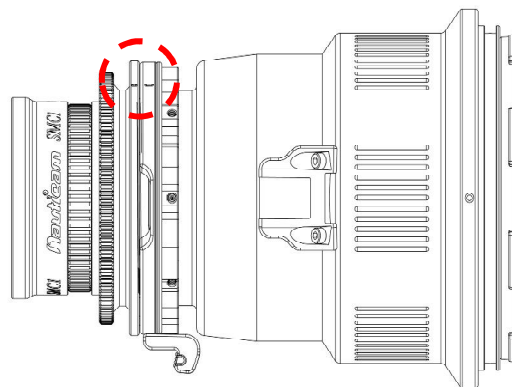


MOUNTING THE ADAPTOR ON A LENS

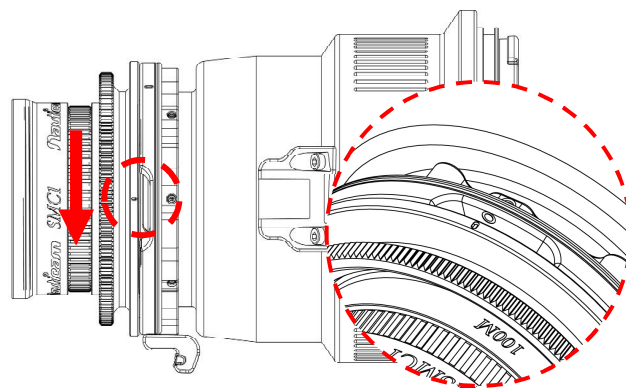


Mount Bayonet mount adaptor for SMC/CMC on SMC-1 as shown, and screw it on the thread on the rear of the lens.

MOUNTING THE ADAPTOR ON A M67 TO BAYONET CONVERTER



1. Align 'I' mark on the bayonet mount adaptor for SMC/CMC with the 'I' mark on the converter and push it in.



2. Turn the adaptor with the lens clockwise until 'I' mark on the adaptor aligns with the 'O' dot on the converter and a "Click" sound is heard.

SPECIFICATIONS

83214 BAYONET MOUNT ADAPTOR FOR SMC/CMC	
Dimensions(mm):	DIA96.0x19.3
Compatible lenses:	SMC-1 / SMC-2 / CMC-1 / CMC-2
Compatible bayonet converters	83250 M67 TO BAYONET CONVERTER II
	83251 M77 TO BAYONET CONVERTER II
	83213 M67 TO BAYONET MOUNT CONVERTER
	83215 M77 TO BAYONET MOUNT CONVERTER

Remark: Nauticam supports only e-manuals. Please download corresponding product manuals on Nauticam.com website, or contact us for e-manuals.