

16337 Nauticam Cinema Gear Set for Canon 24-105 f4L IS USM

Instruction Manual

FOREWORD

Thank you for your purchase of a NAUTICAM product.

At NAUTICAM, we pride ourselves in the ability to recognize the requirements of professional as well as amateur underwater photographers and fulfill them through the innovative designs of our products. We strive to achieve a high level of user-friendliness by allowing stress-free installation and easy operation of all important functions of the camera.

Please read this manual carefully before using the product, this will maximize its performance as well as its lifetime.

WARRANTY

All NAUTICAM Products are warranted against any material and manufacturing defects for two years from the date of purchase for consumer use. This warranty only applies to products purchased from authorized NAUTICAM dealers and does not extend beyond the original retail purchaser.

To return your product for service, please contact your regional authorized service centre(s). Please note that this warranty only applies when the product is purchased in the territory where the service centre is located.

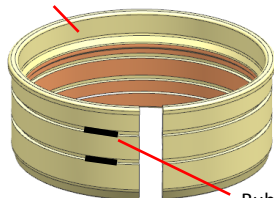
NAUTICAM does not hold responsibility for damage, of any nature, to any equipment used with and/or placed within our products.

NAUTICAM accepts no liability for any loss of captured images or the inability to capture images even if it is due to the malfunctioning of our products.

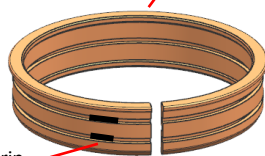
Unauthorized modifications and/or repairs of our products will automatically invalidate the warranty.

IDENTIFICATION OF PARTS

Focus plastic C-ring



Zoom plastic C-ring



Rubber grip



Canon 24-105 Focus Gear



Canon 24-105 Zoom Gear

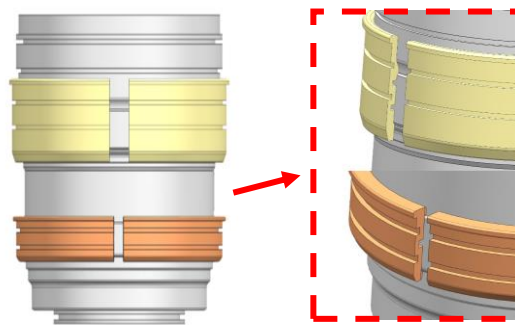
6x



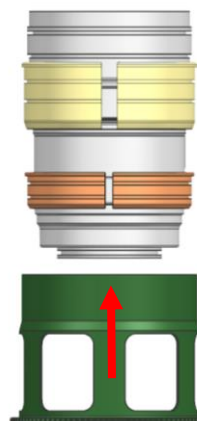
Spare Rubber grips

The tightness between the Canon 24-105 gears and the lens can be adjusted by removing or adding rubber grips on either sides of the plastic C-ring, spare rubber grips are included in the package.

MOUNTING THE GEAR SET ON A LENS



1. Insert the focus and zoom plastic C-rings as shown and place them over the lens.



2. Insert the Canon 24-105 focus gear on the focus plastic C-ring until it reaches the flange of the focus plastic C-ring.



3. Insert the Canon 24-105 zoom gear on the zoom plastic C-ring until it reaches the flange of the zoom plastic C-ring



4. To remove the gears, reverse the above steps.

Remark: Nauticam supports only e-manuals. Please download corresponding product manuals on Nauticam.com website, or contact us for e-manuals.