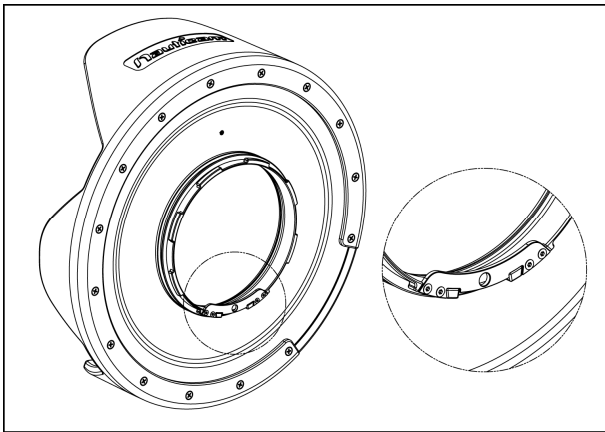


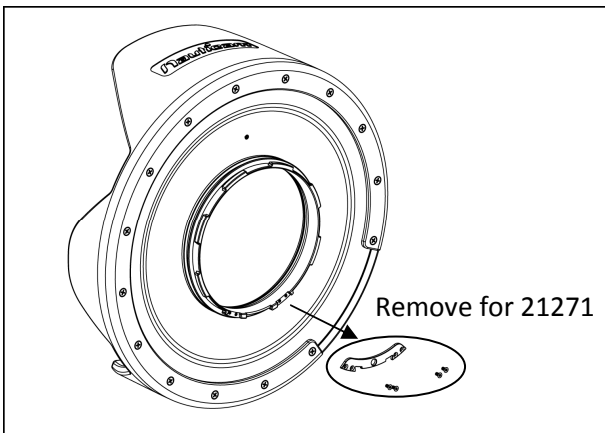
18812 230mm Optical Glass Fisheye Port II

Instruction Manual

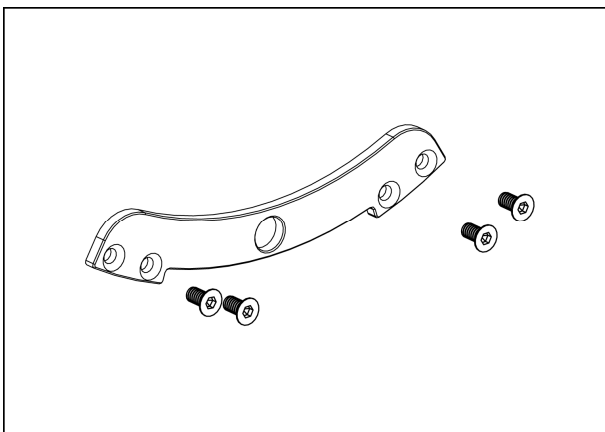
Follow the instruction below for attaching 21271 "Extension ring 70 with focus knob for Canon EF 11-24mm f/4L USM" to the port.



1. Locate the locking plate at the bottom of the port opening bayonet.



2. Remove the plate by unscrewing the four screws. Then mount the 21271 to the port. (Please refer to the manual of 21271 for mounting)
3. To mount the locking plate back to the port, reserve the above step.



*When the locking plate is installed, standard extension rings (21120~21190) can be used.